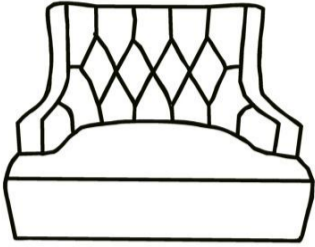


ASSEMBLY INSTRUCTION

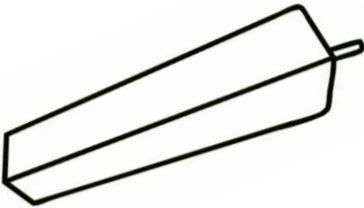
TUFTED ACCENT CHAIR

A CHAIR



1PC

B FRONT LEG



2PCS

C BACK LEG

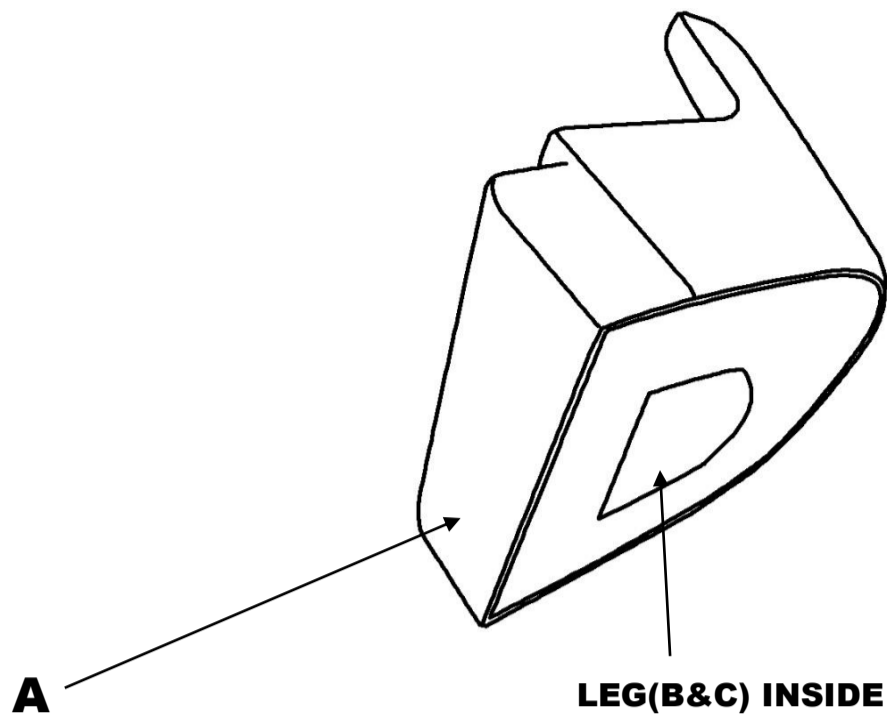


2PCS

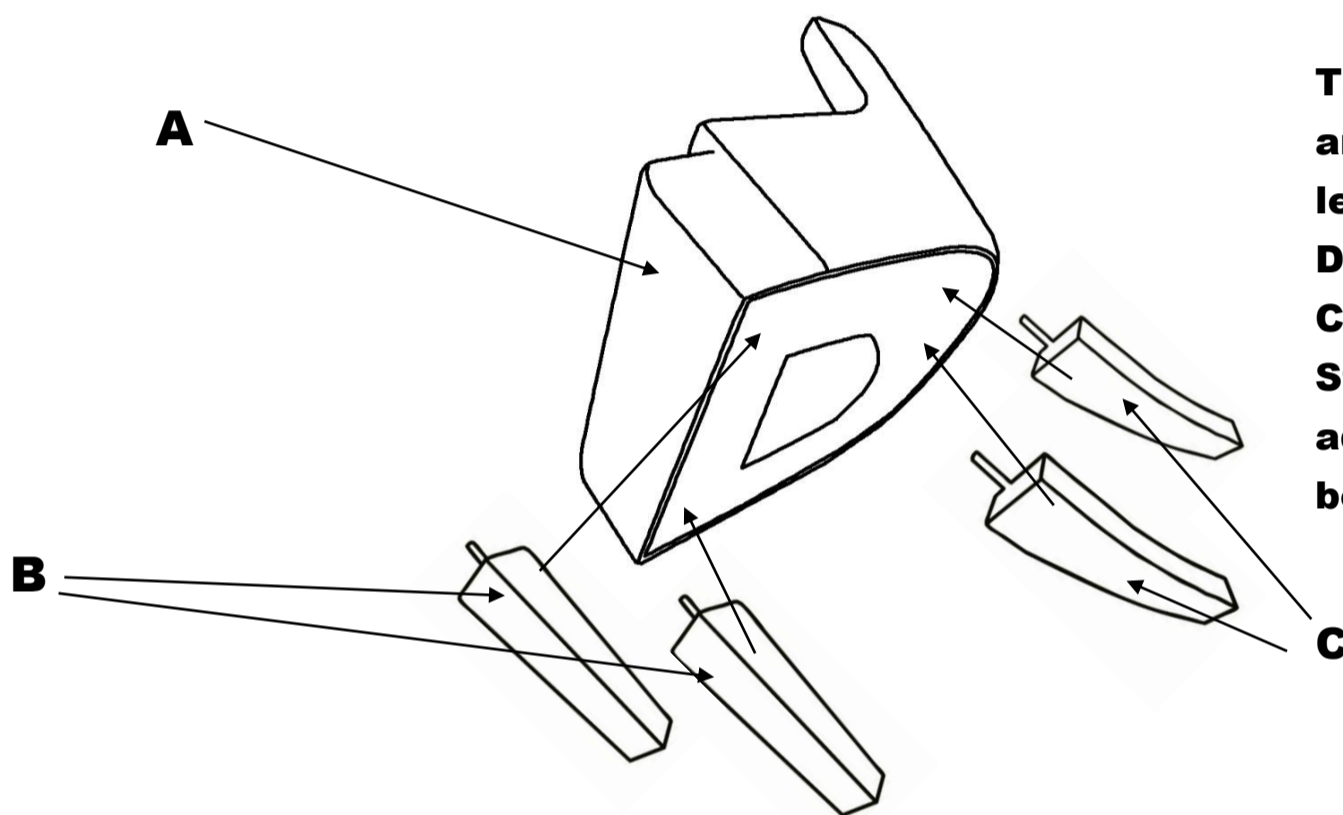
This page lists all the contents included in the box. Please take the time to identify the hardware as well as the individual components to this products. As you unpack and prepare for assembly, place the contents on a carpeted or padded area to protect them from damage.



1 Take out the Front Leg (B) and Back Leg (C) from the bottom of the Chair(A).



2 Put the Front Leg (B) and Back Leg (C) on the bottom and screw them tighten.



Take the Allen Wrench, and turn the bolts until the legs are secure. DO NOT TIGHTEN COMPLETELY. Stop when you feel you are adding force to tighten the bolt.

3 Tighten all of the bolt. Turn over the chair assembled to a properly position.

Stand chair up on an even surface and check that it is balanced. If there is a slight wobble, apply downward pressure in the corner where a leg is uneven. Keeping pressure in that corner, tighten all bolts. If balanced, apply downward pressure evenly in the center and tighten all bolts. Do not over-tighten beyond hole depth.



Helpful Tip:
-Instead of applying downward pressure while reaching under to tighten bolts, have someone sit in the chair while you tighten

Cleaning&Care

Treat surface with care.Surface is resltant to scratches but is not iscratch resistant. Clean surface with a surfaces dry or damp soft cloth.do not use abrasive cleaners.Hardware may loosen over time.Periodically check all connections are tight.