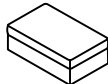

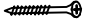

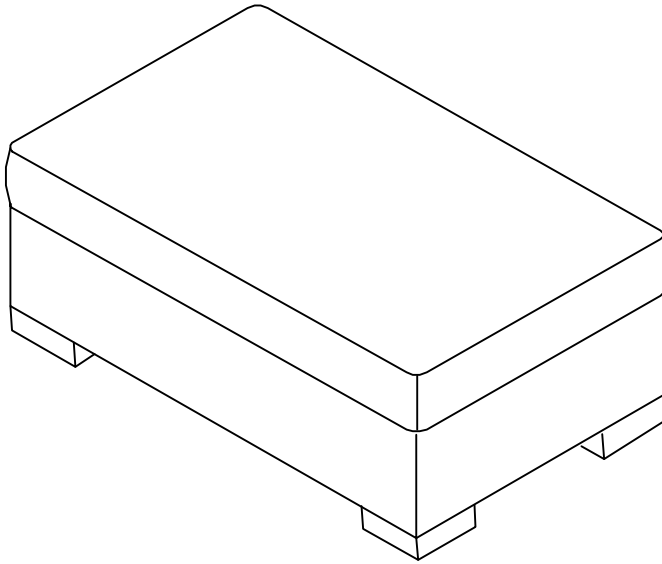
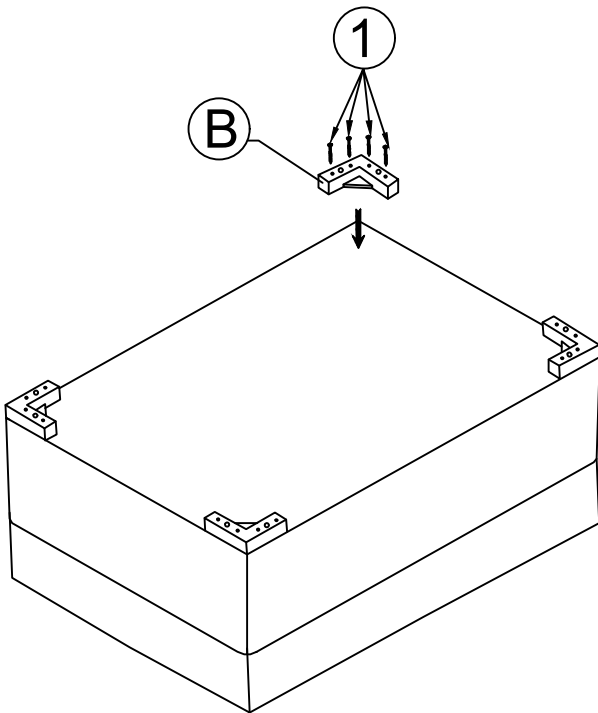


Assembly Instruction Ottoman

No	PART LIST		Q'TY
A	Ottoman		1PC
B	Legs		4 PCS
No	HARD WARE LIST		Q'TY
1	Screw	 M4*60mm	16 PCS
Philips head screwdriver require for assembly (not included)			



STEP 1



1. Attach the Legs (B) with Ottoman .
* Thanks for choosing Furniture of America

FINISH

