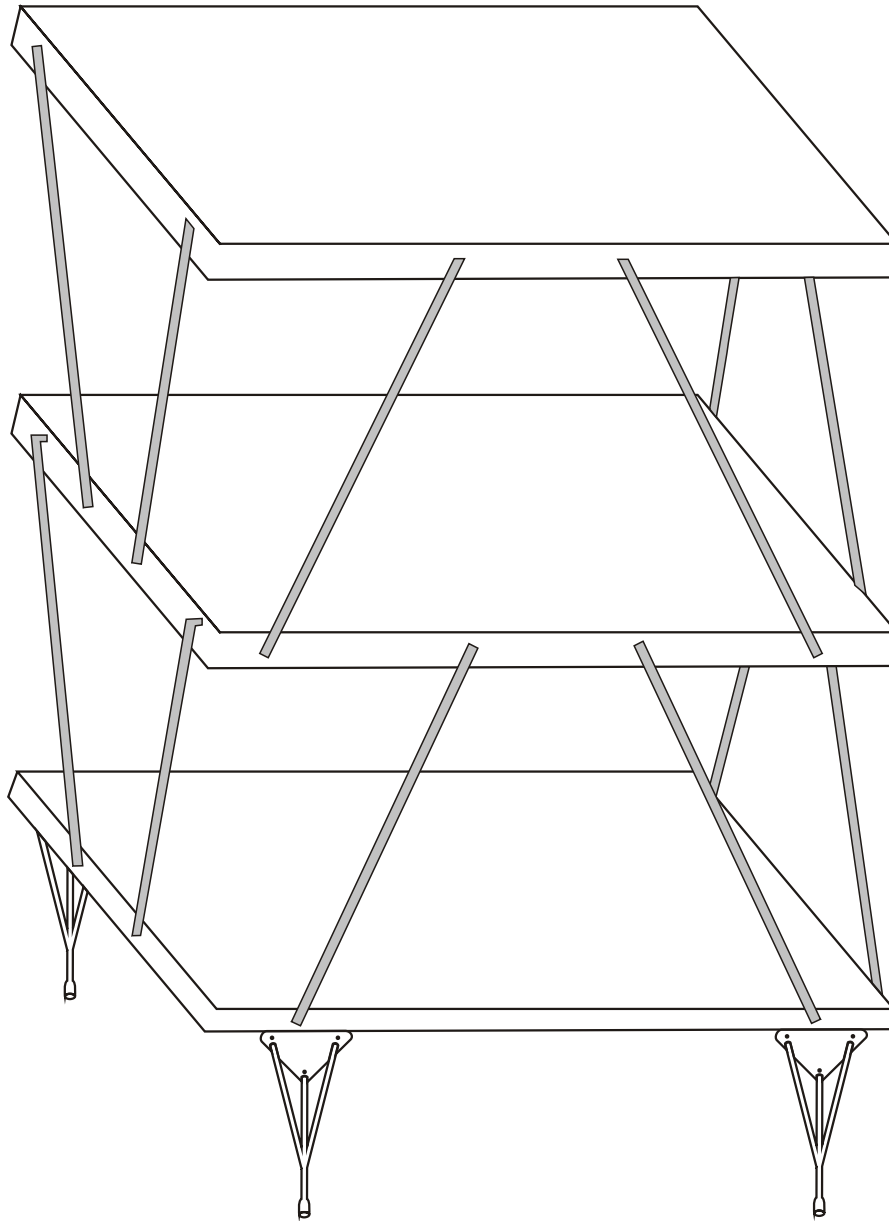
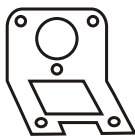
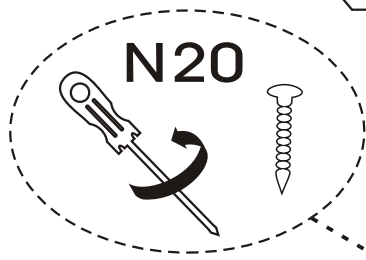
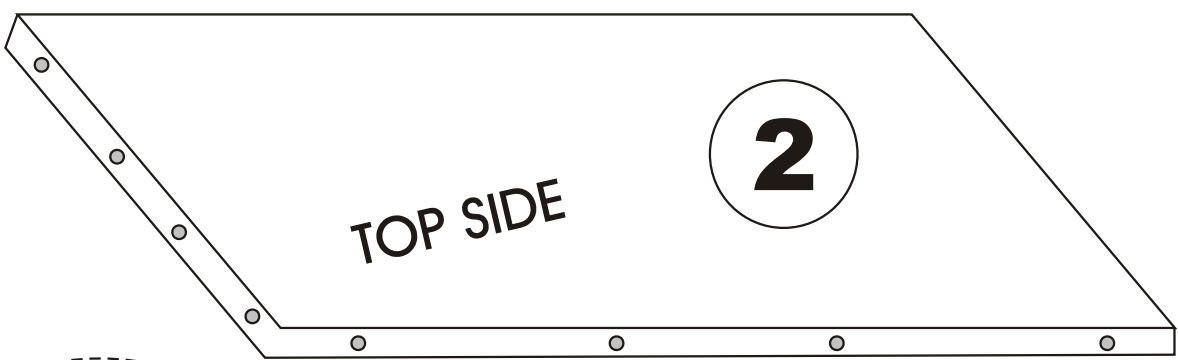
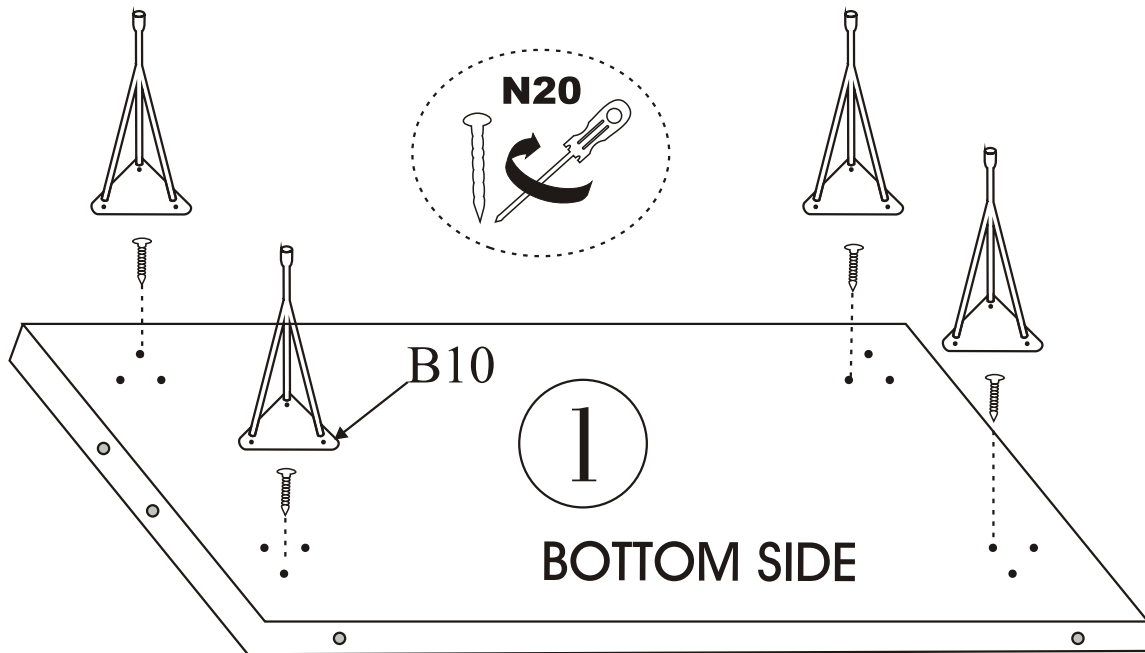


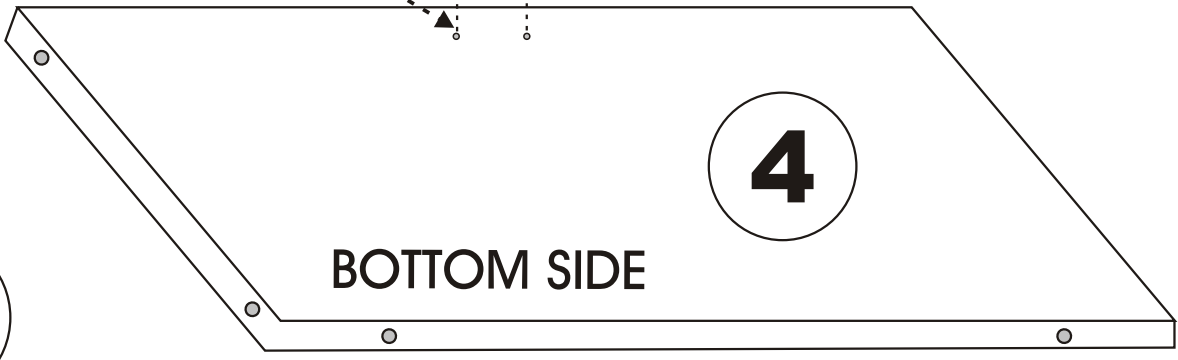
---

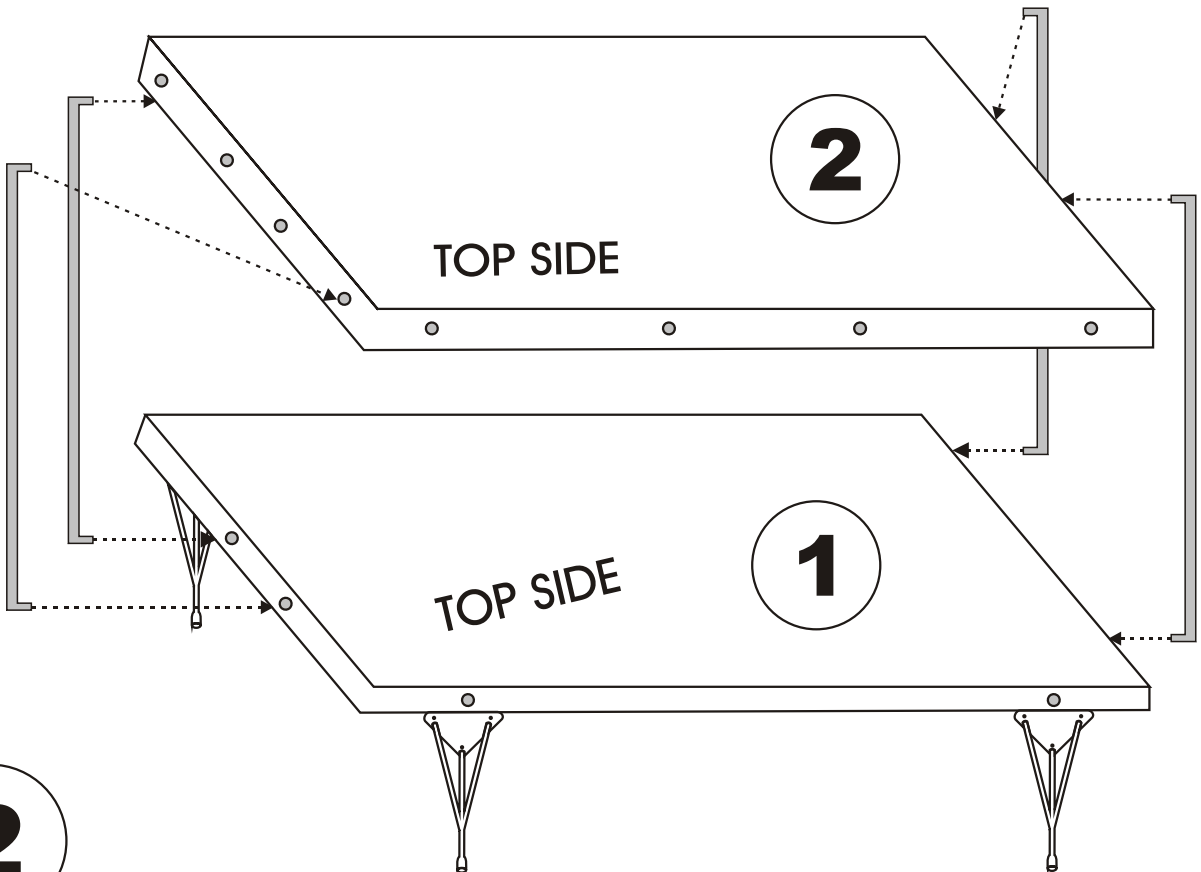
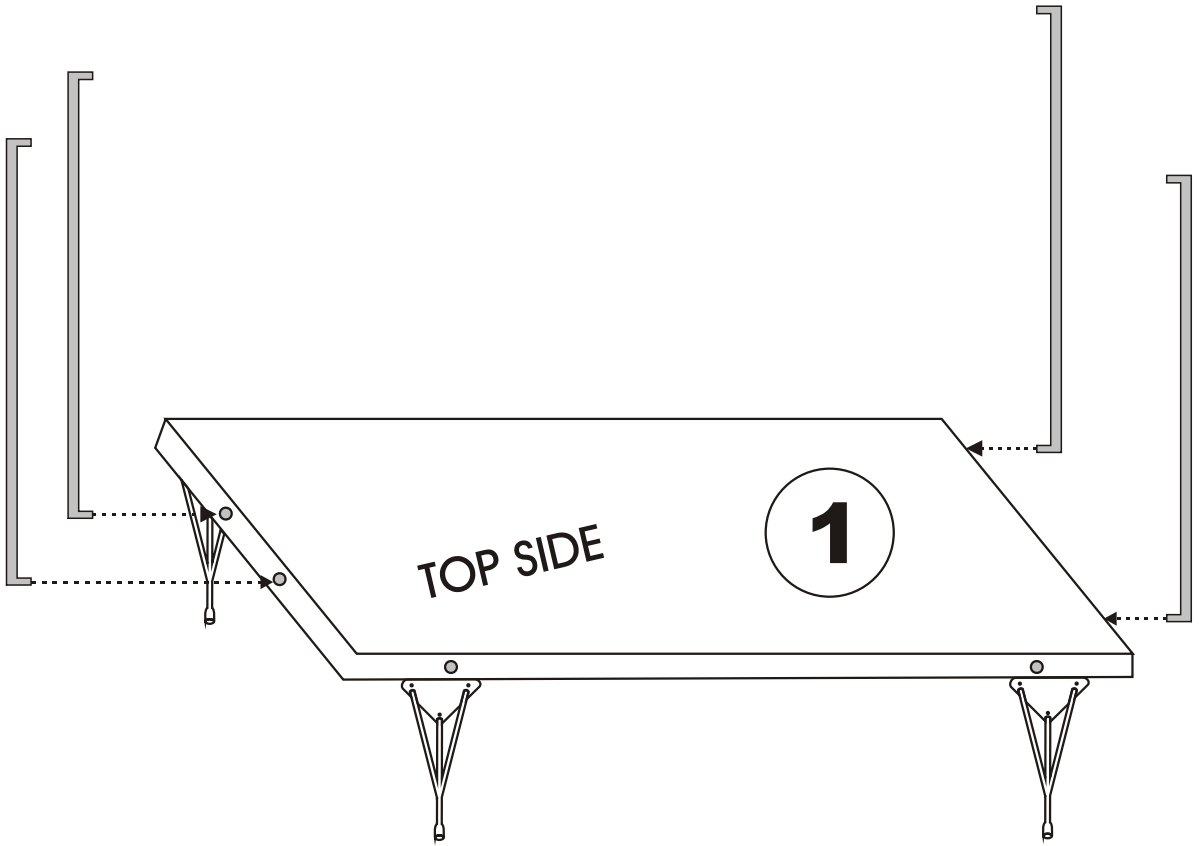
# Assembly Manual



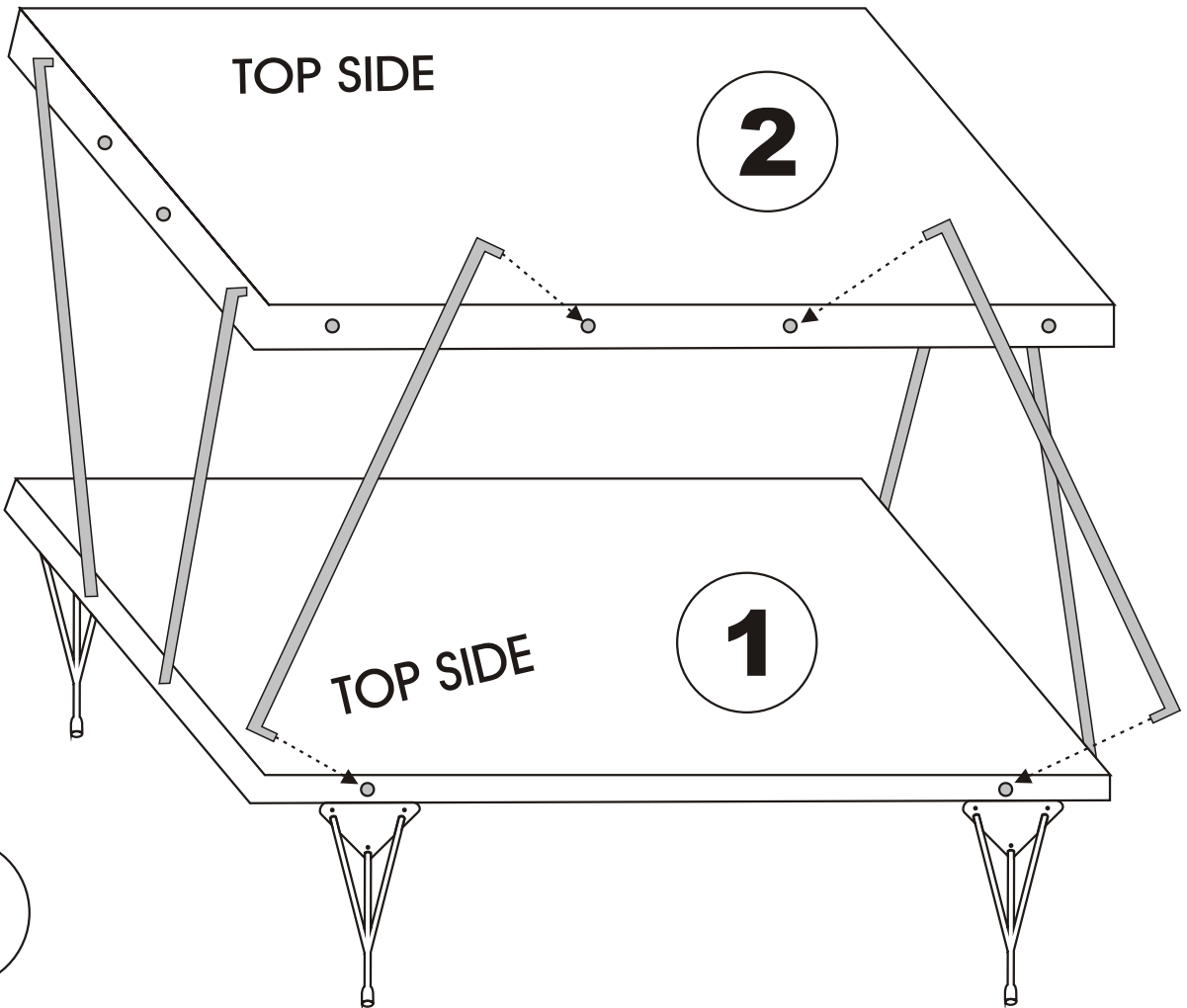
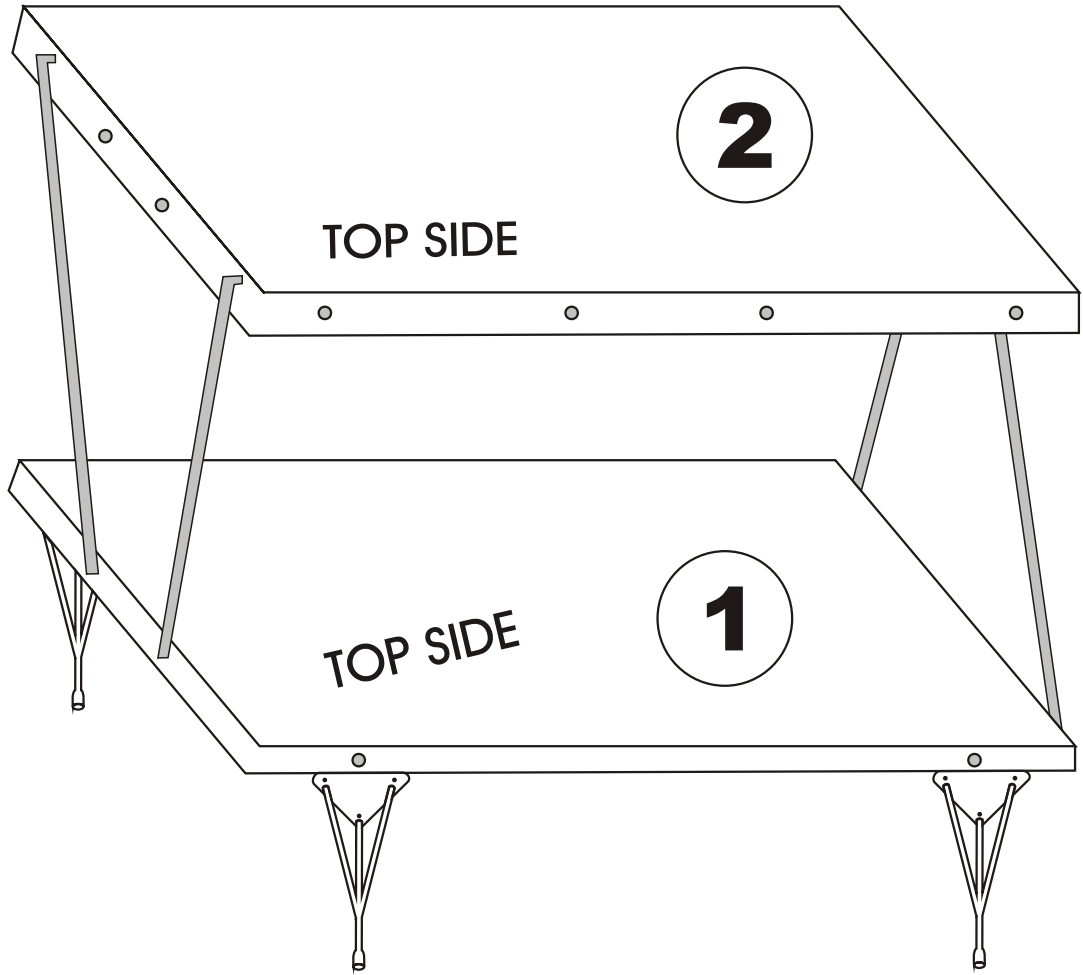


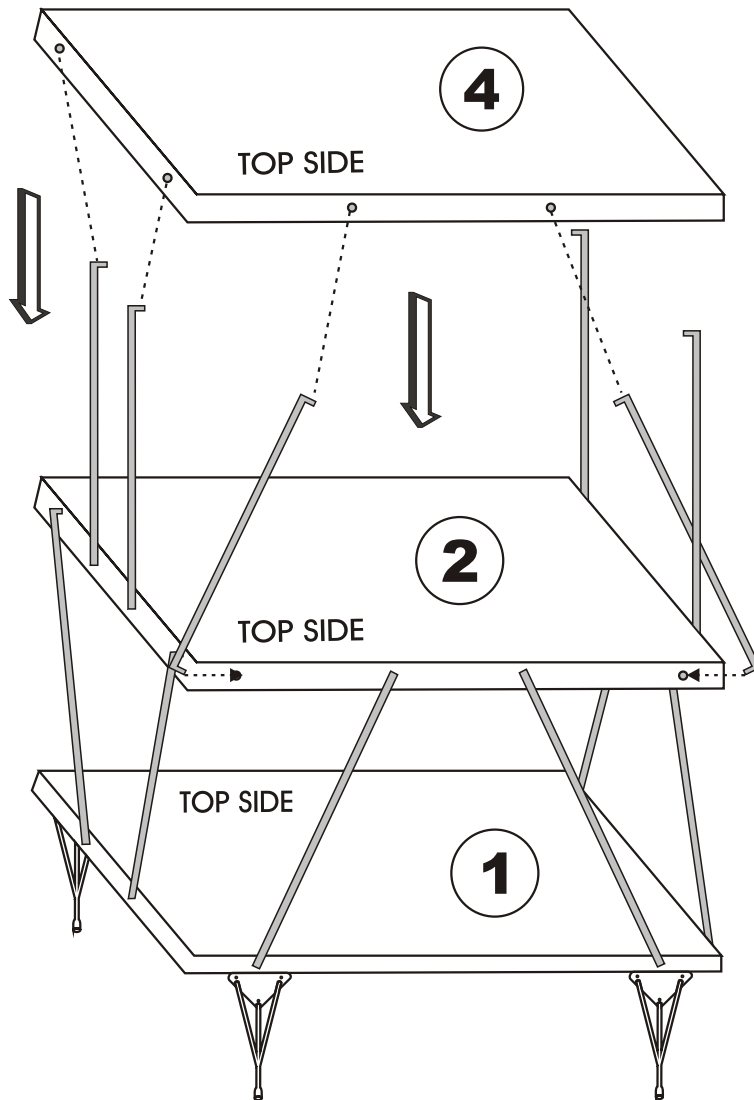
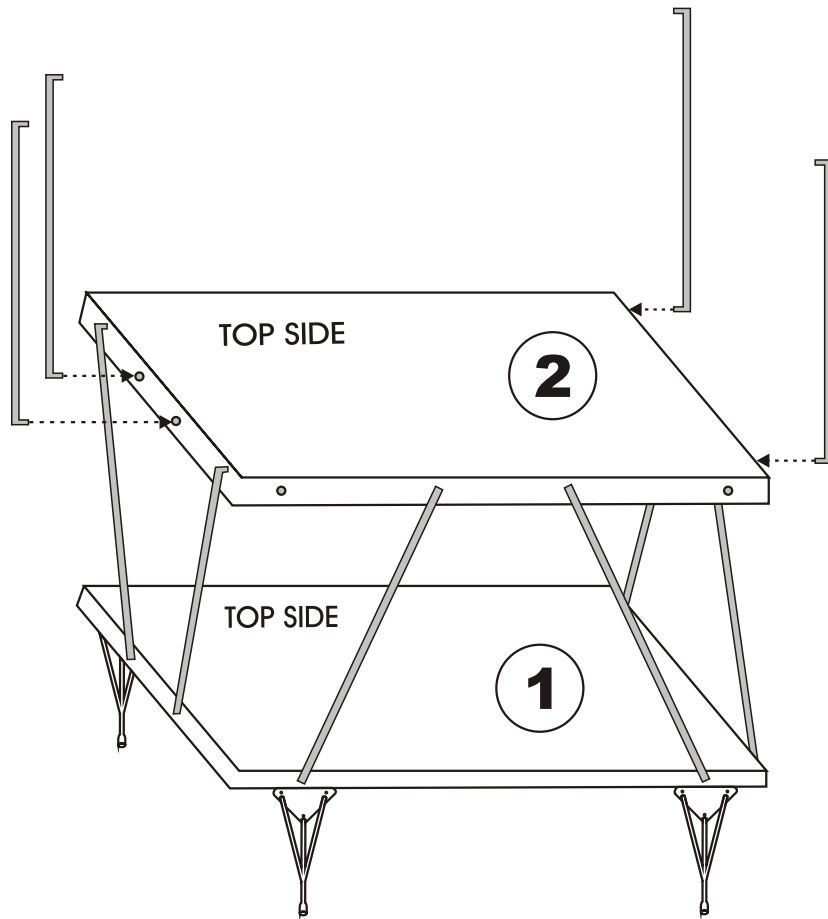
**1**



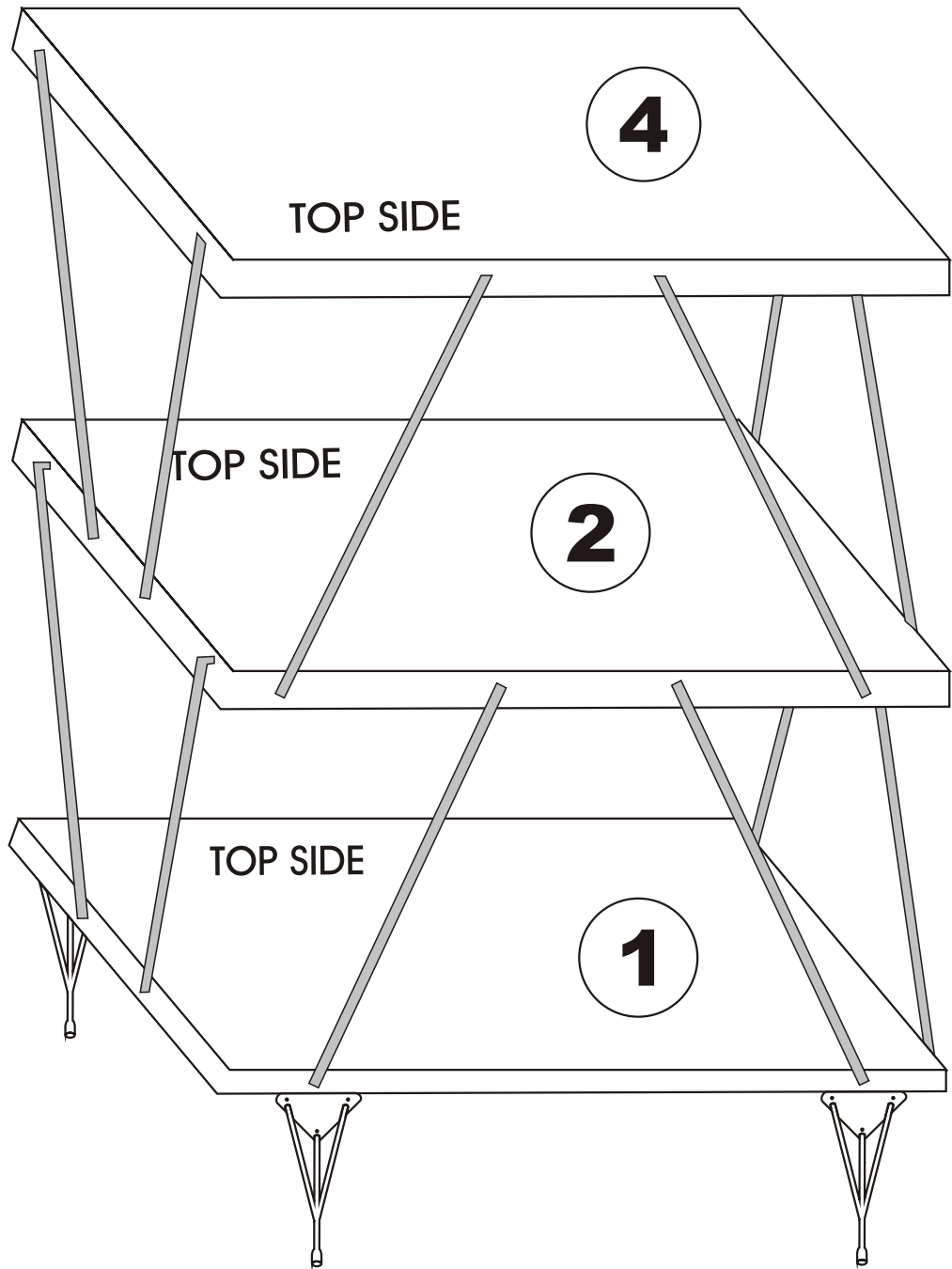


**2**





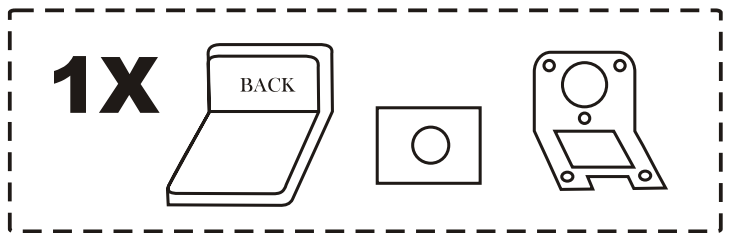
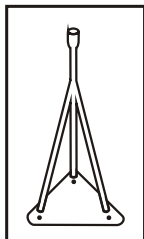
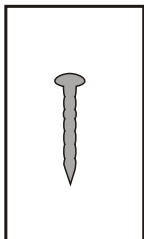
4



Piece      Piece

**15**

**4**



**5**

**12X**

