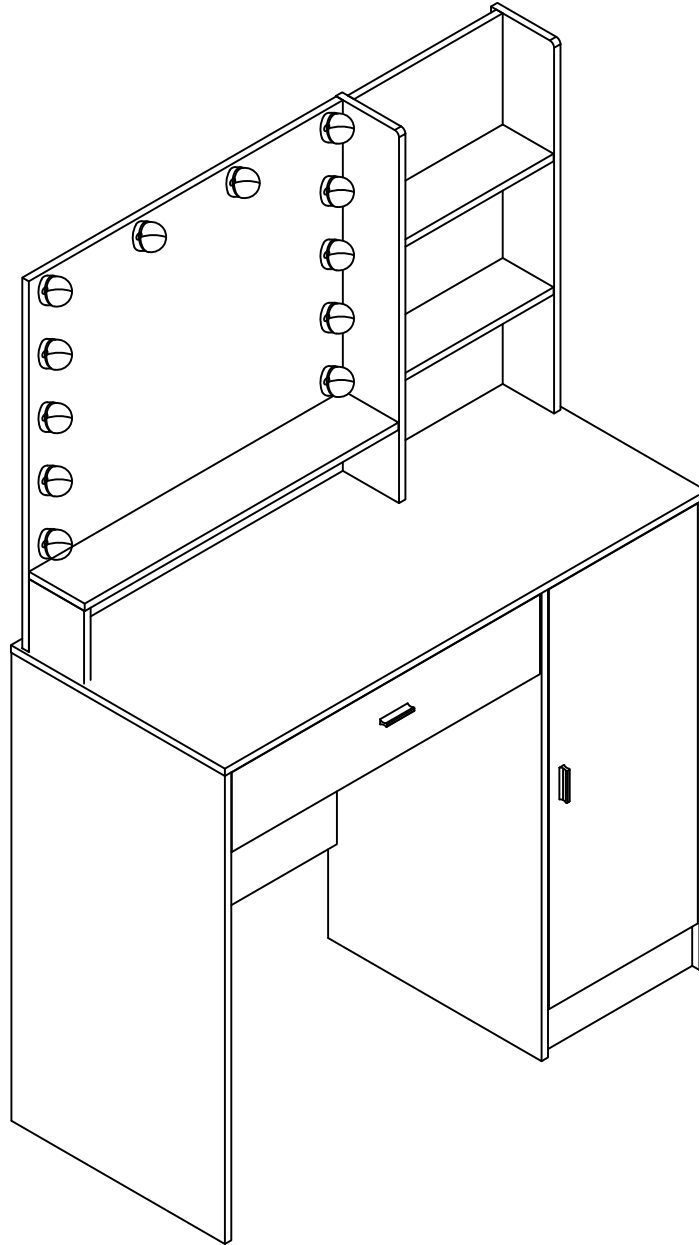


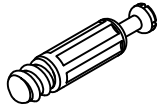
DT500



As this item contains many parts, please read the installation instruction carefully before installation . Please use tools properly and carefully. If you have any questions about the product and installation, please contact us.

Our professional after-sales team will serve you online all day.

Part List



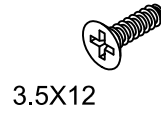
A

x78



B

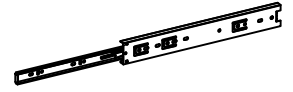
x78



3.5X12

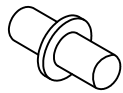
C

x20



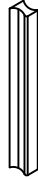
D

x2



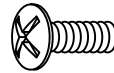
E

x4



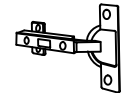
F

x2



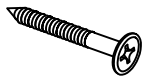
G

x4



H

x2



3.5X30

I

x4



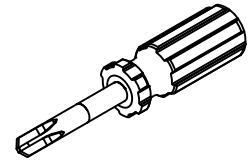
J

x12



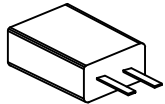
K

x6



L

x1



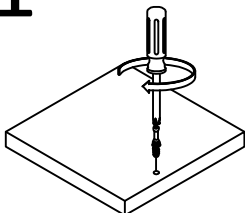
M

x1

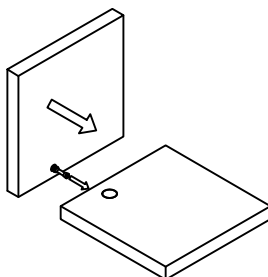
Cam Lock Fastening System

Insert the cam bolt into the hole first, then insert the cam lock and lock it.

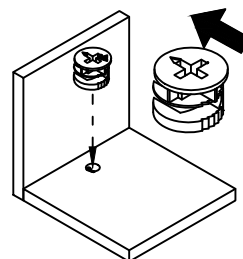
1



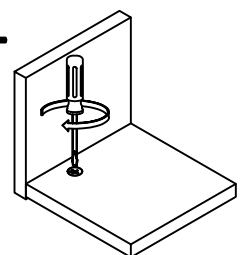
2



3

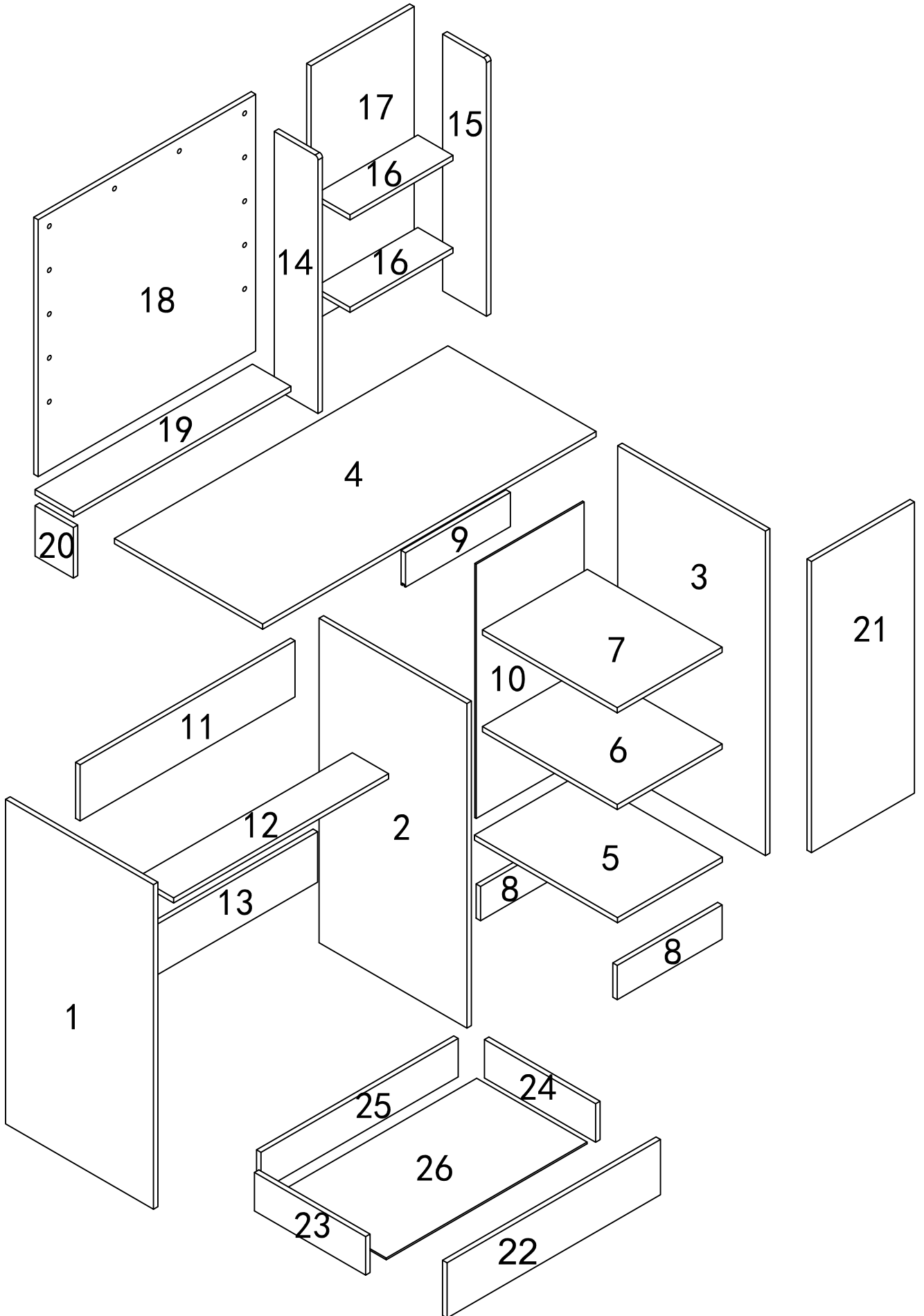


4

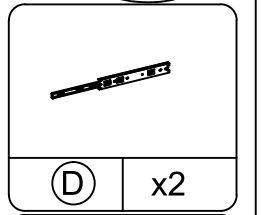
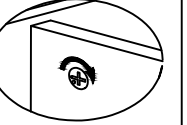
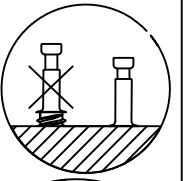
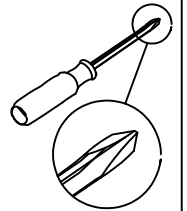
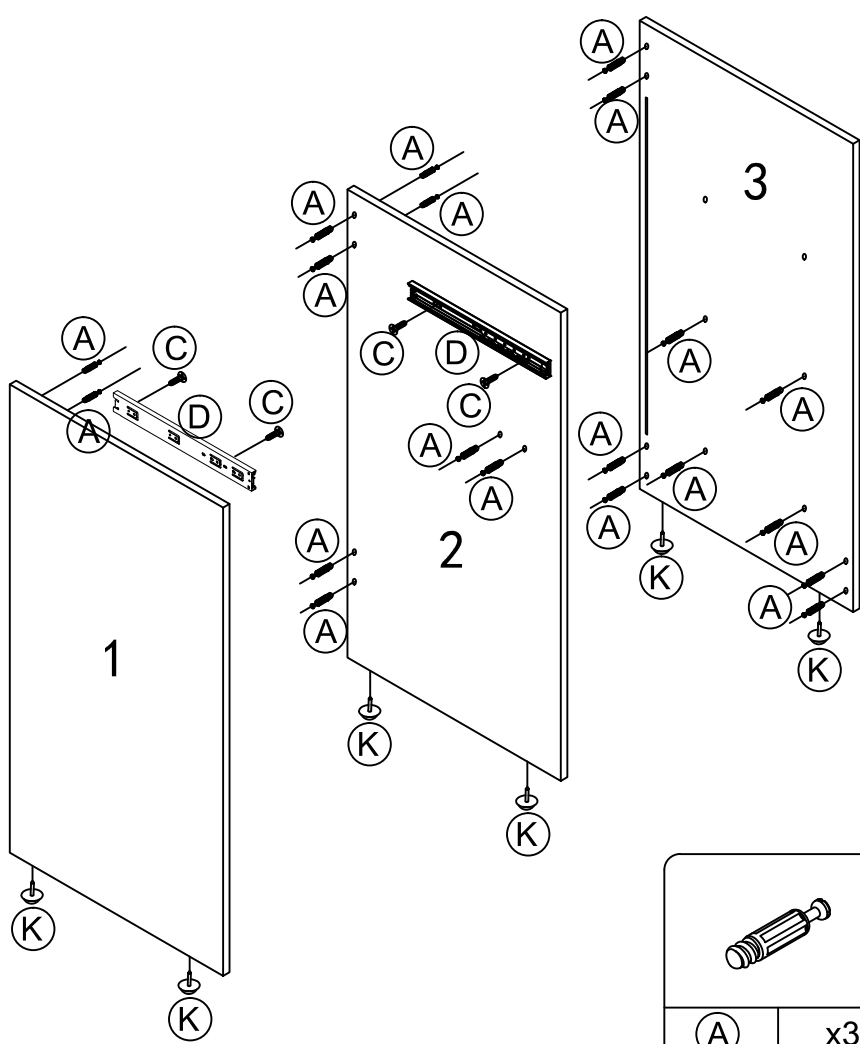


The opening must point toward the edge of the board

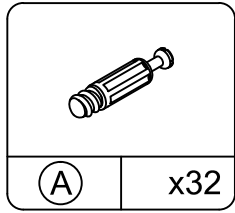
Board Identification



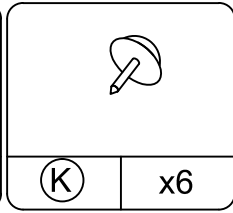
01



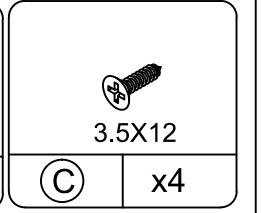
(D) x2



(A) x32

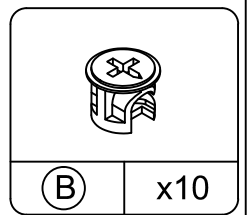
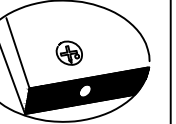
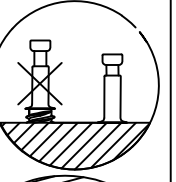
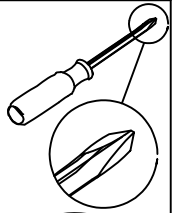
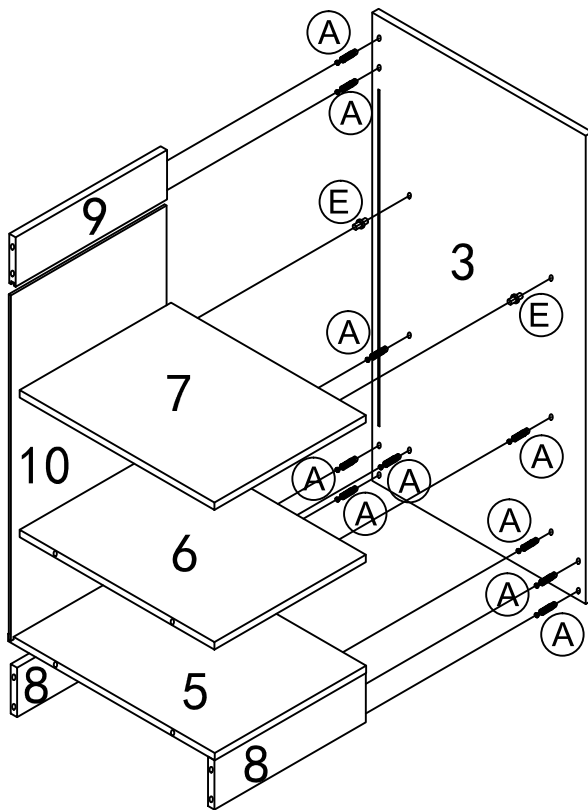


(K) x6

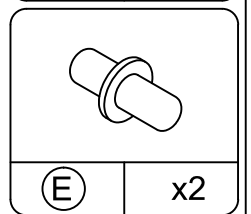


(C) x4

02

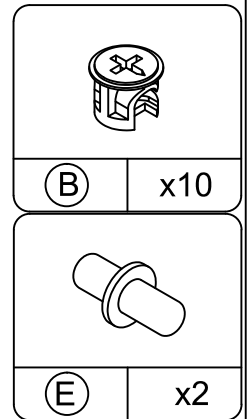
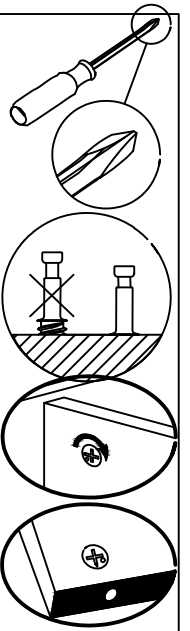
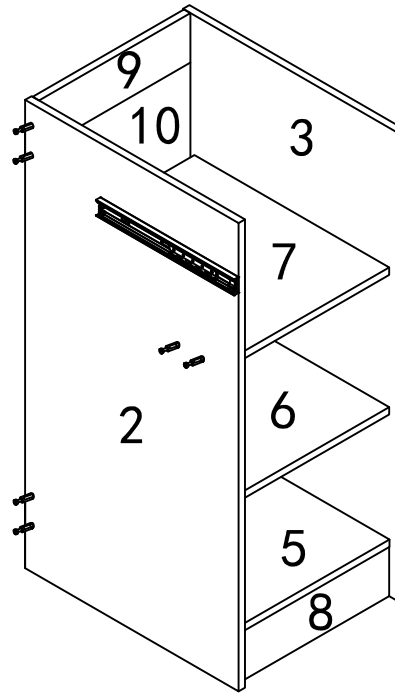
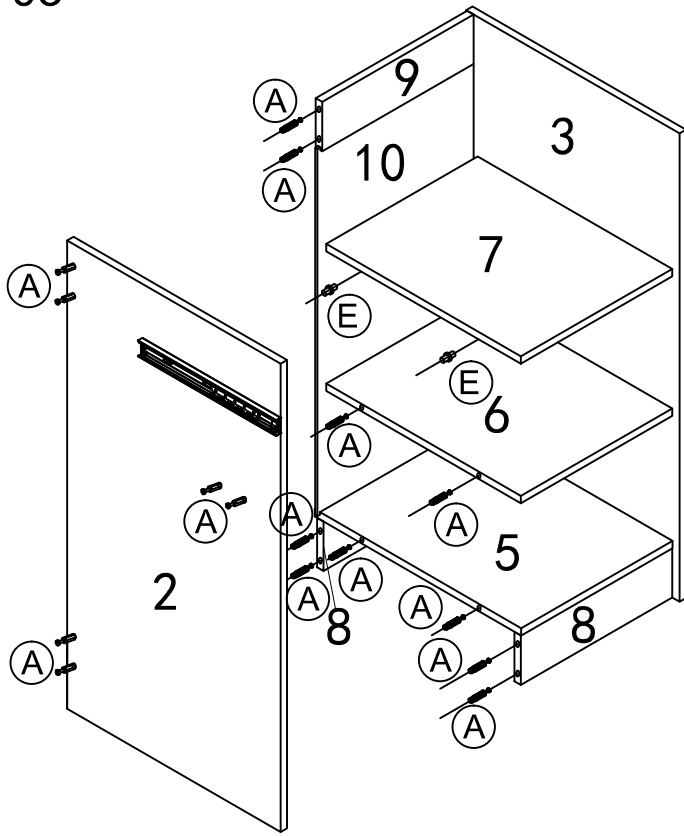


(B) x10

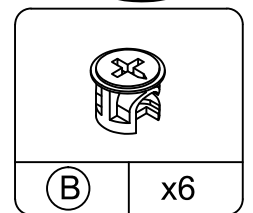
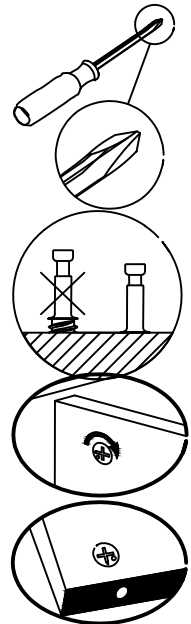
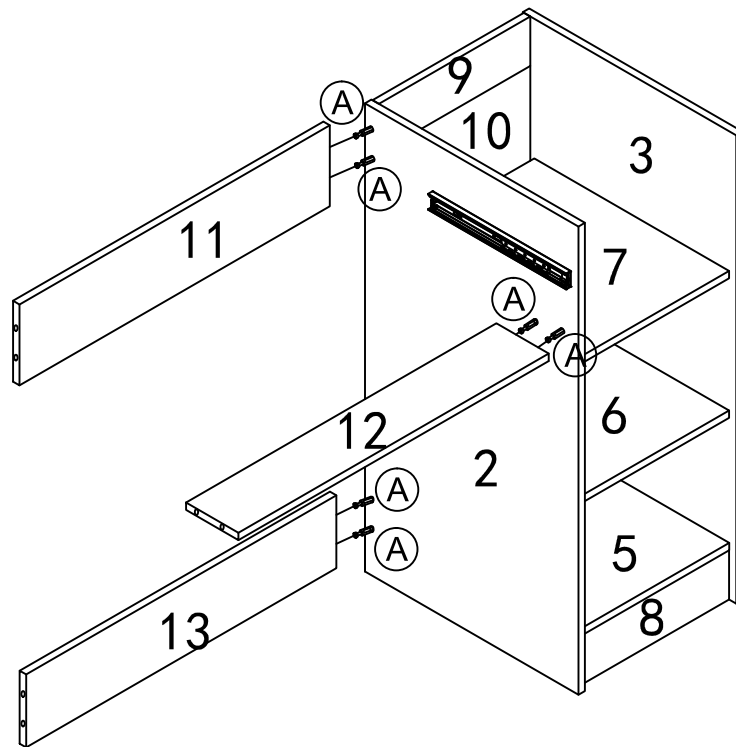


(E) x2

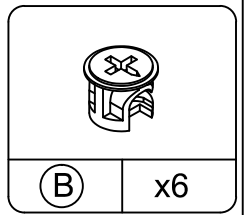
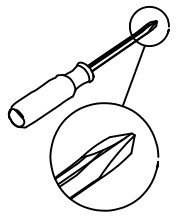
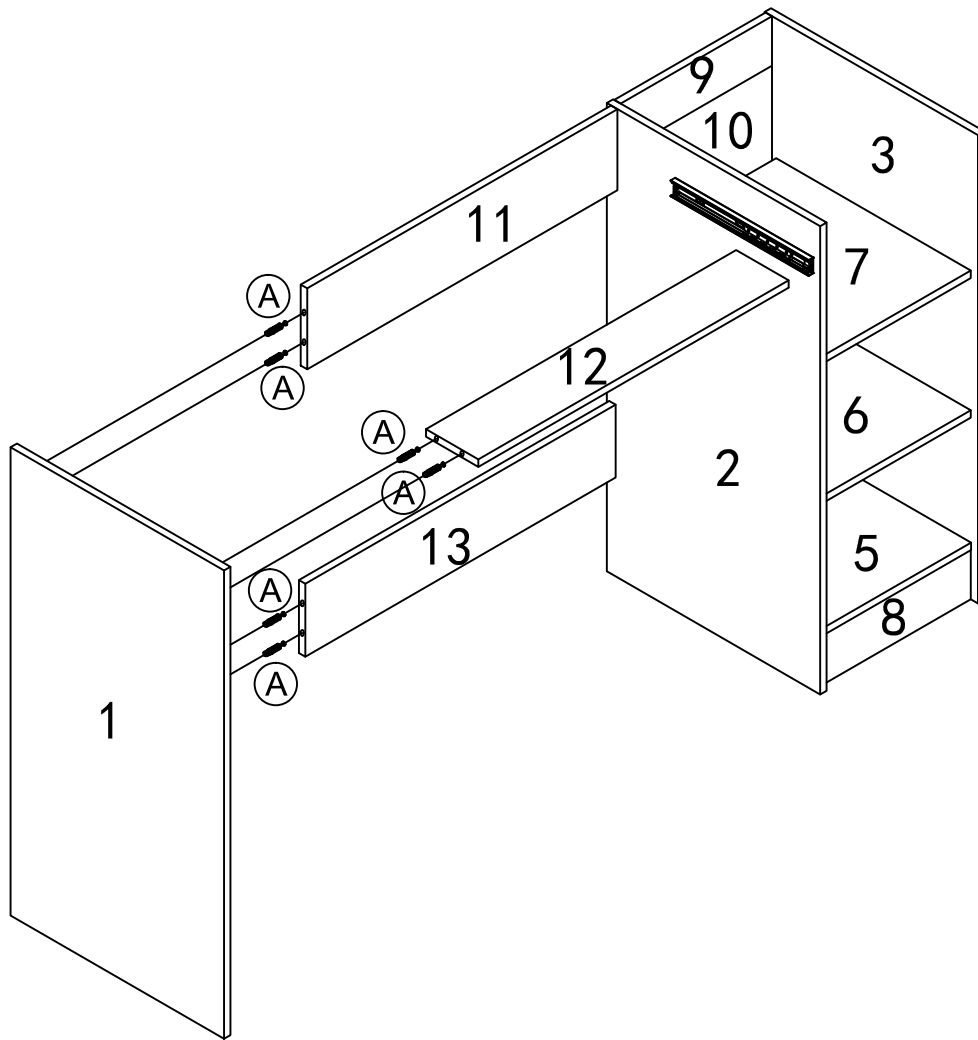
03



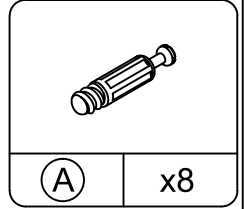
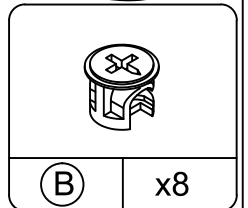
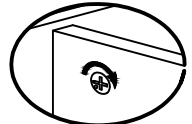
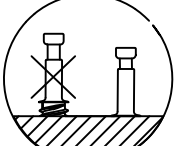
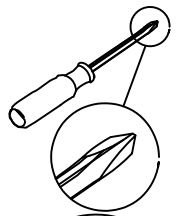
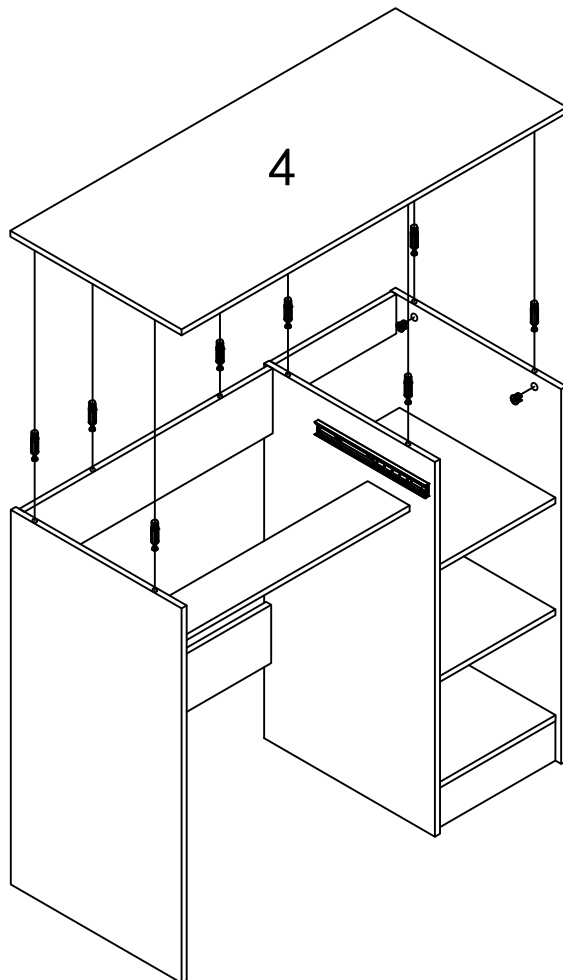
04



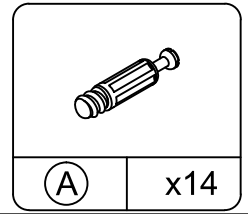
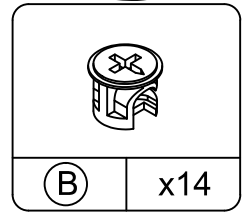
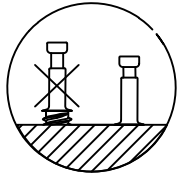
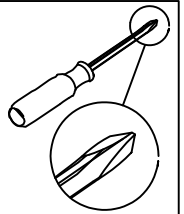
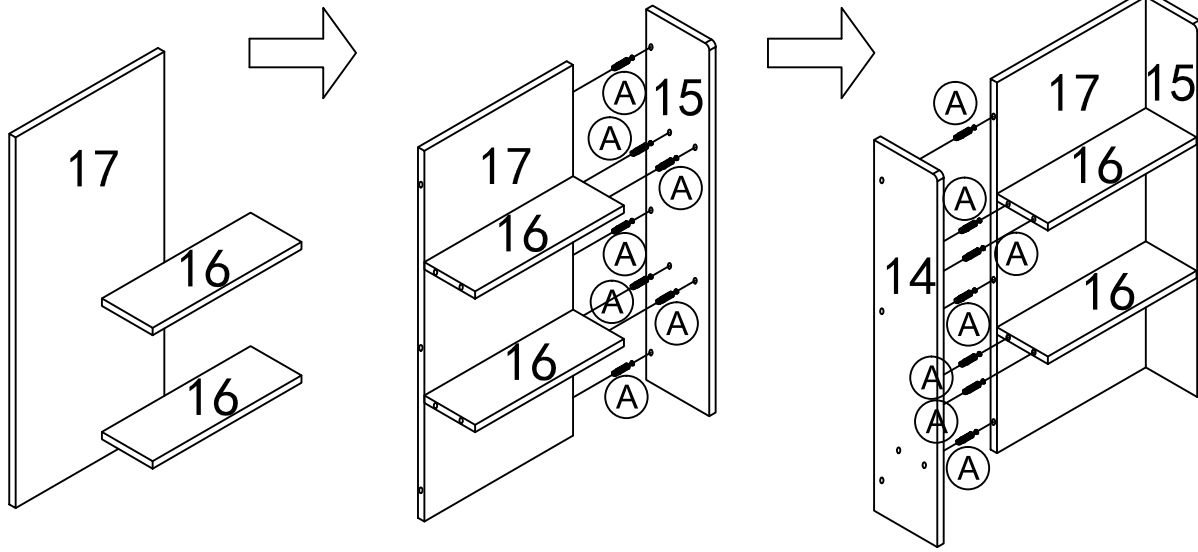
05



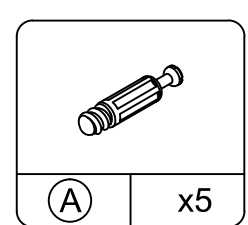
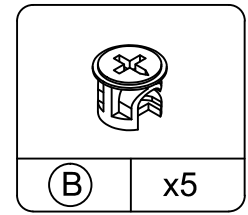
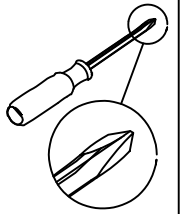
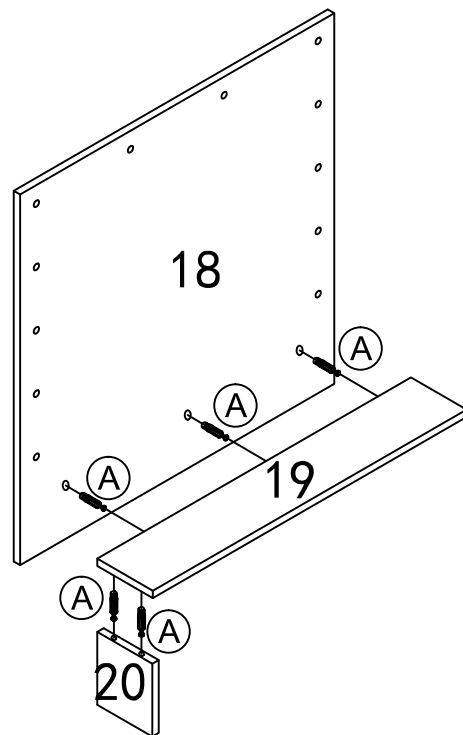
06



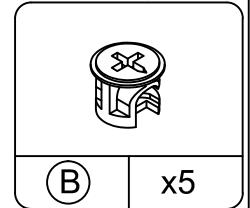
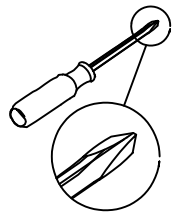
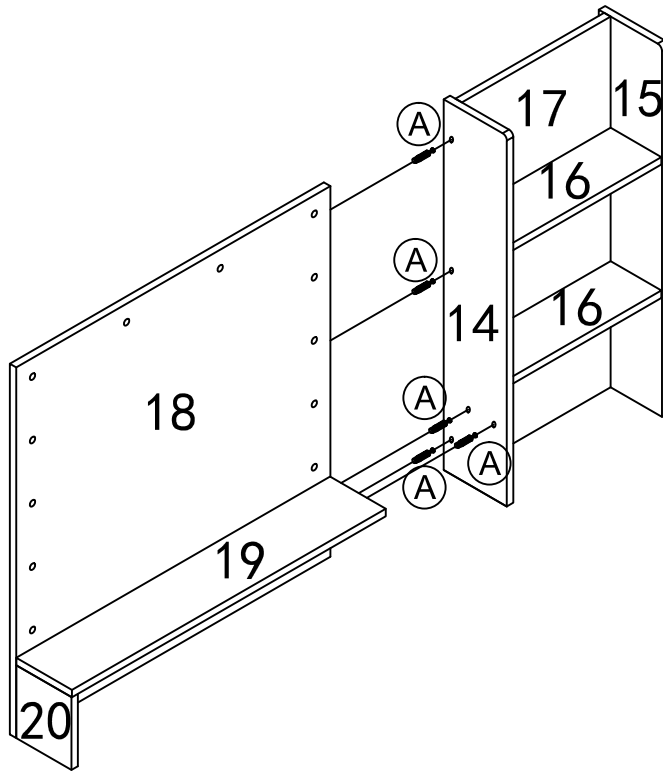
07



08



09

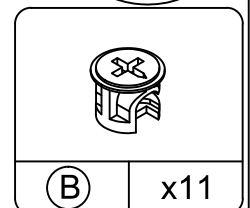
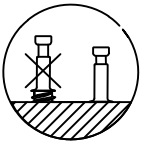
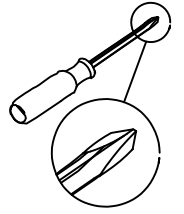
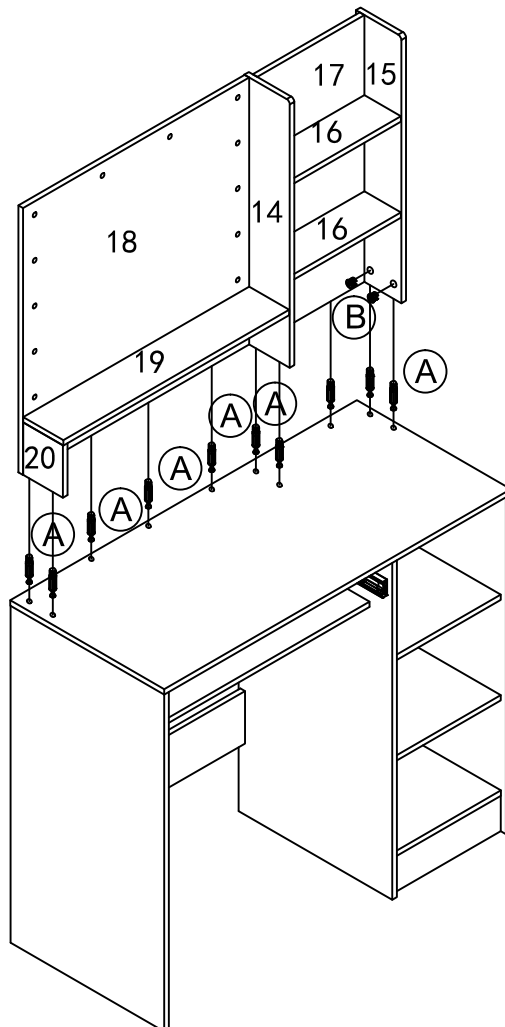


(B) x5



(A) x5

10

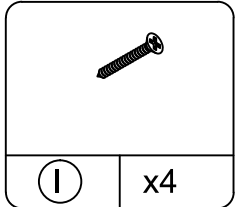
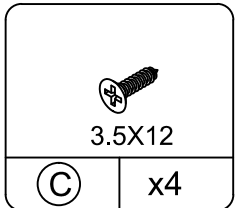
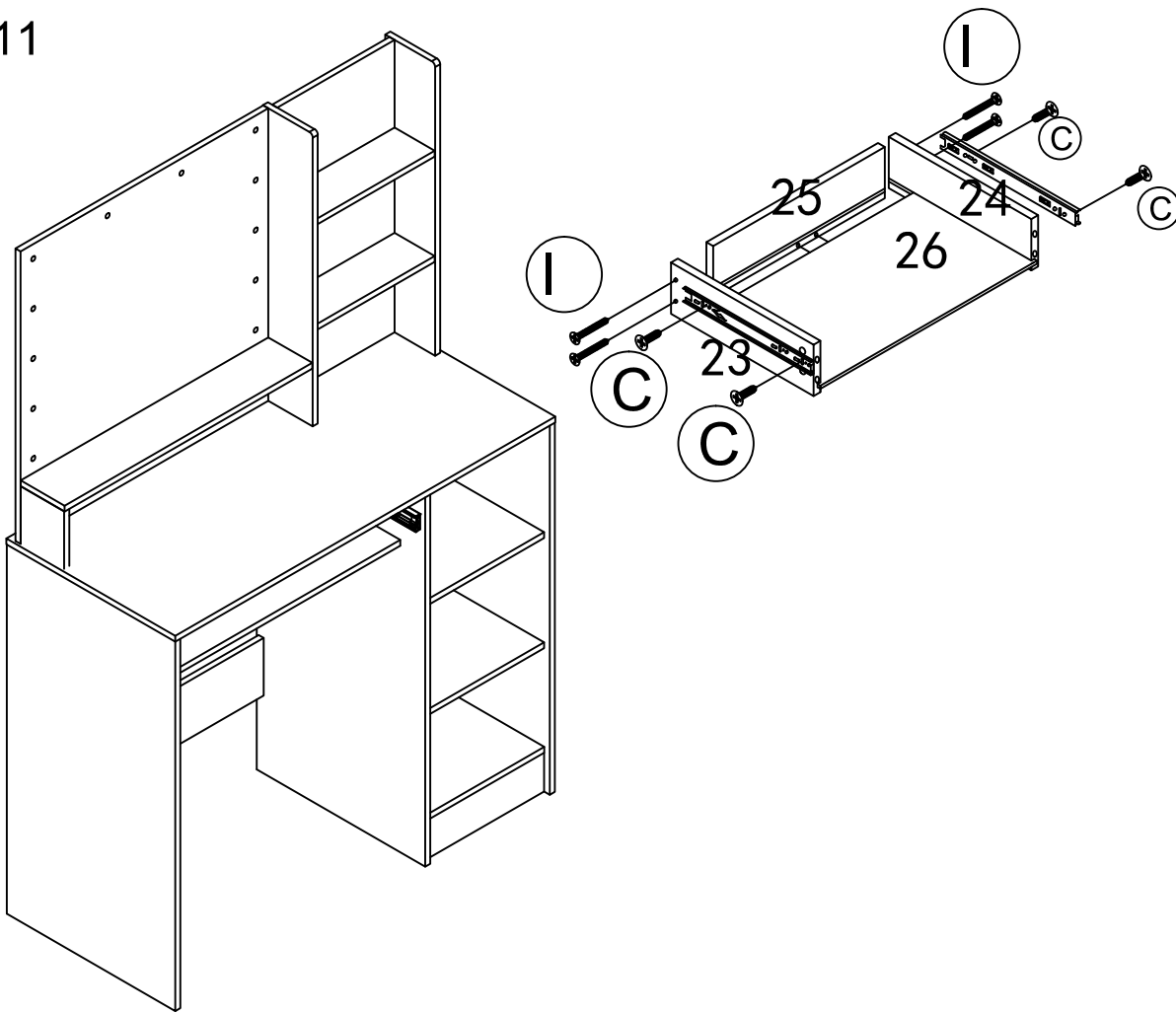


(B) x11



(A) x11

11



12

