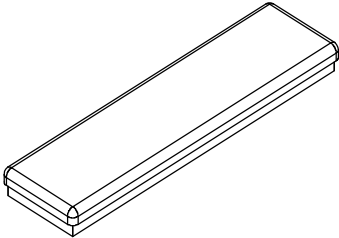


ASSEMBLY INSTRUCTION

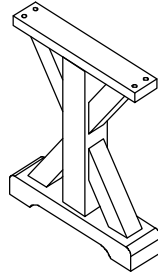
BENCH

DO NOT FULLY TIGHTEN BOLTS UNTIL THE ENTIRE ITEM IS COMPLETELY ASSEMBLED

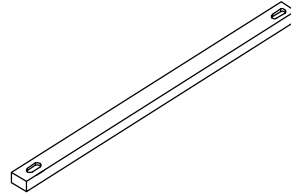
A=1PC



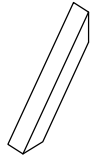
B=2PCS



C=1PCS

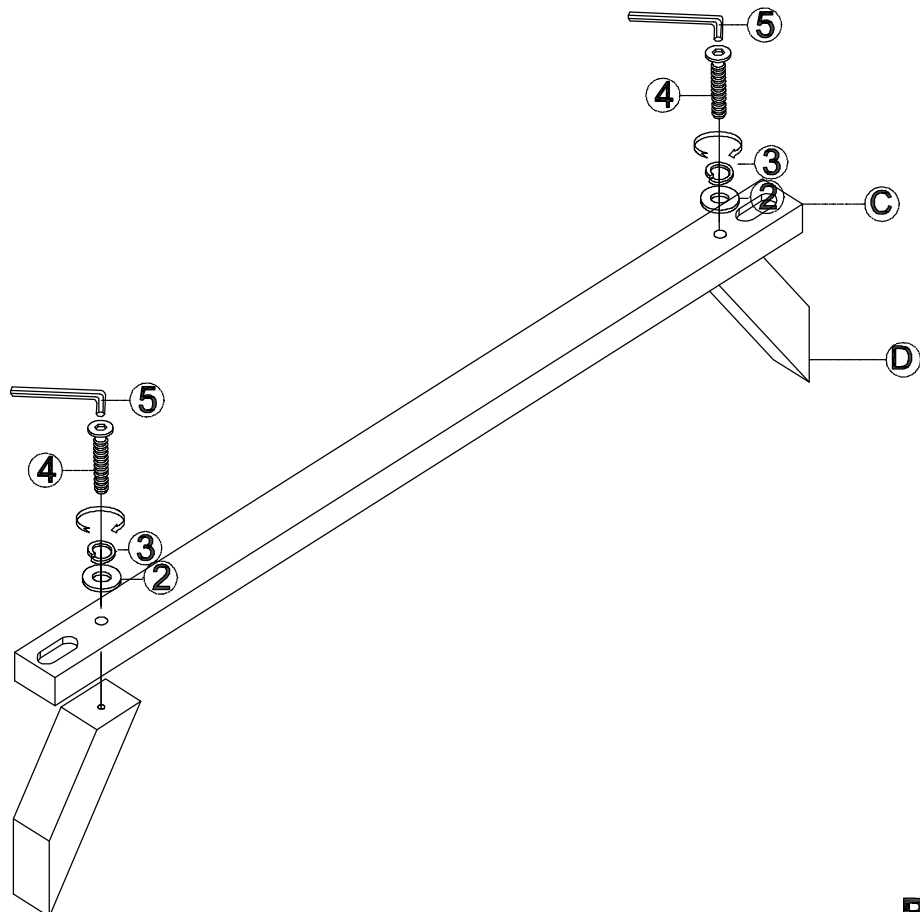


D=2PCS

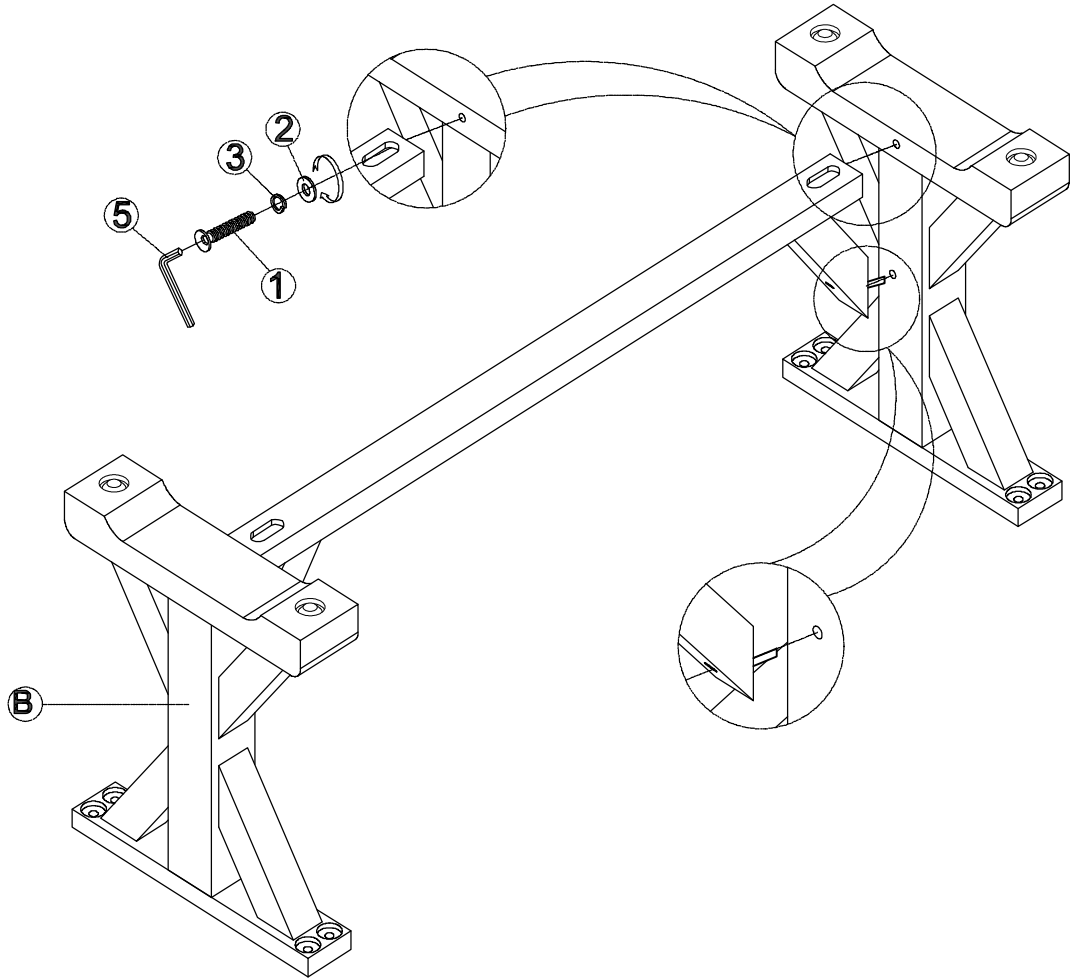


No.	Description.	Image	Q.Ty
1	BOLT Ø 1/4" X 35mm		10 PCS
2	FLAT WASHER		12 PCS
3	SPRING WASHER		12 PCS
4	BOLT Ø 1/4" x 45mm		2 PCS
5	ALLEY KEY		2 PC

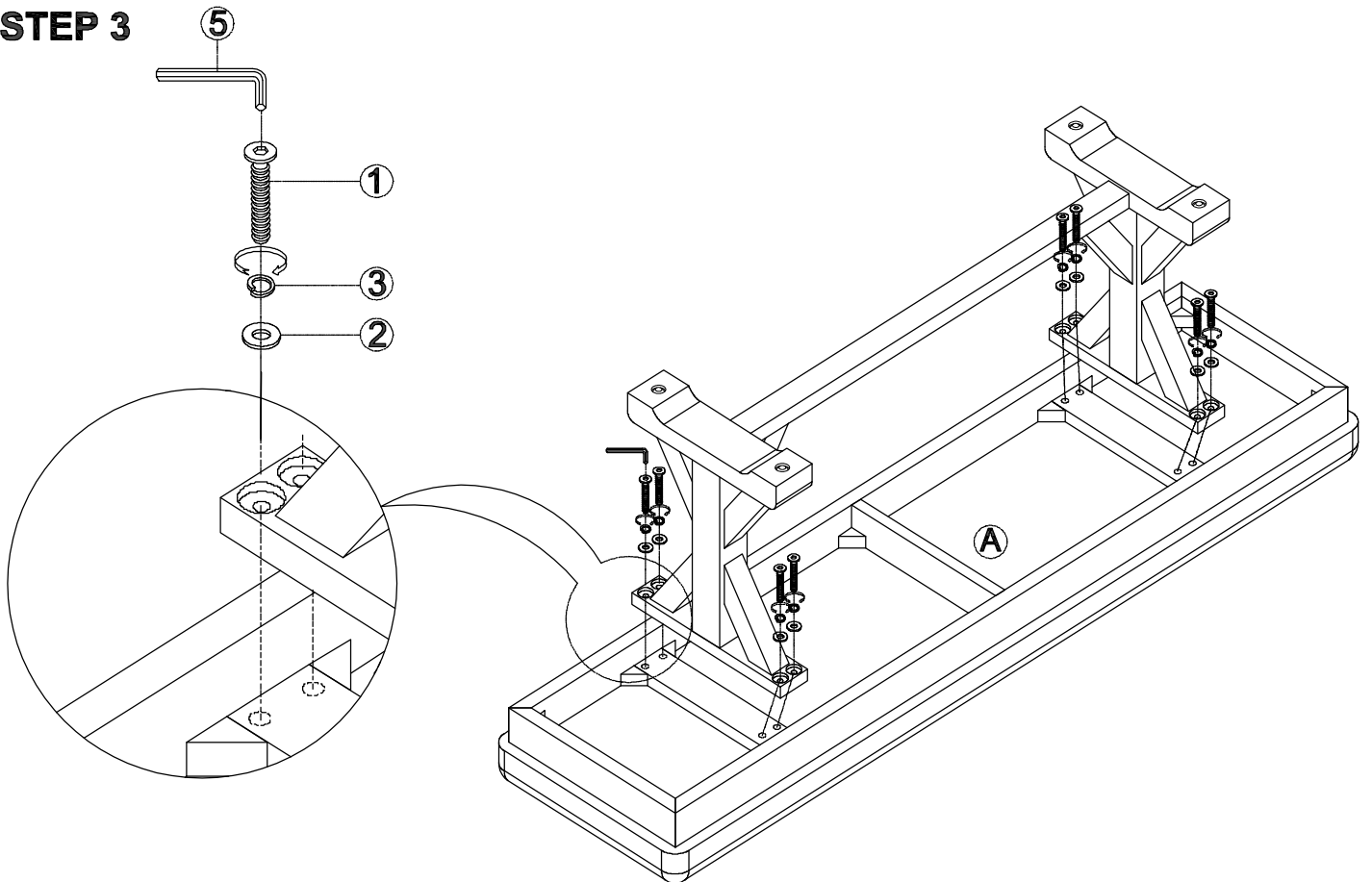
STEP 1



STEP 2



STEP 3



COMPLETE

