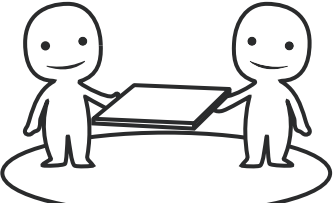
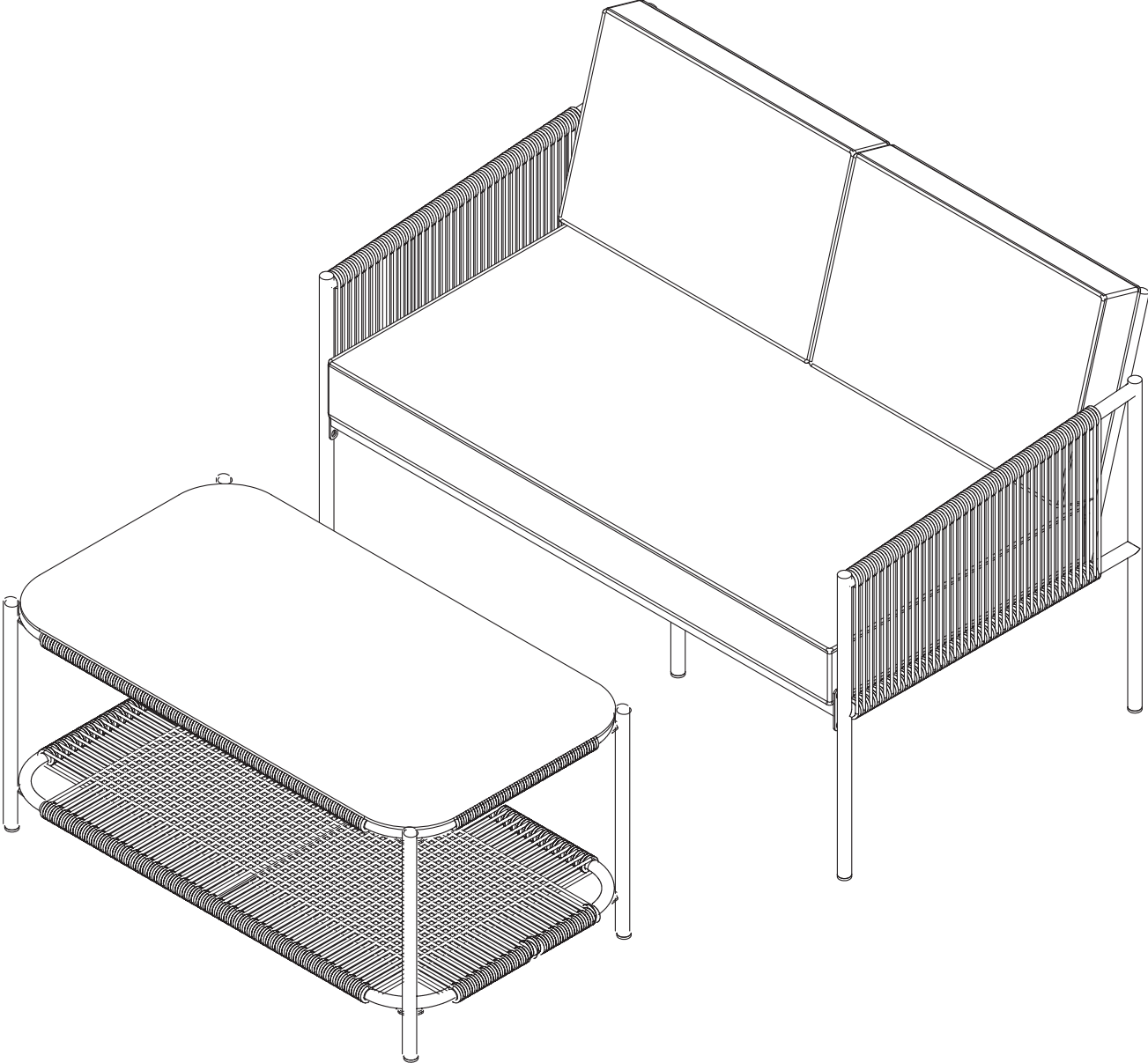


# Outdoor Sofa



ASSEMBLED BY 2 ADULTS

# **IMPORTANT**

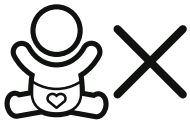
**Please follow the instruction manuals and use a pad to avoid damage during assembly.**

Thank you for shopping with us!

We appreciate your purchase and are ready to be at your service!

If you find parts missing, broken, or hard to put together or when you are not satisfied or have any valuable suggestions, please do not hesitate to contact us first!

We will definitely give you a satisfactory solution or answer then!



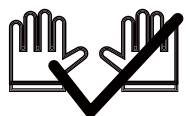
Not intended for use by children. Please keep your children closely supervised.



Keep away from fire or other heat sources.



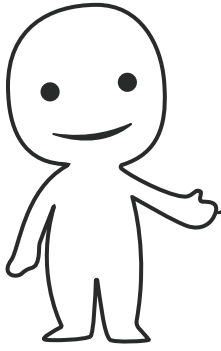
Do not use harsh cleaner for cleaning!



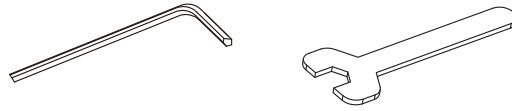
We recommend wearing protective gloves for assembly.



Identify, sort and count the parts before assembly.

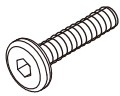


Please prepare the following tools



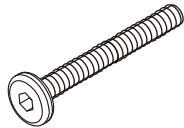
When installing, please carefully confirm whether each screw corresponds to the manual, accessories with similar shapes can be distinguished by size

① x 22



M6 x 15 mm

② x 9



M6 x 35 mm

③ x 32



④ x 1

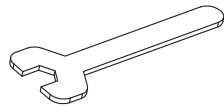


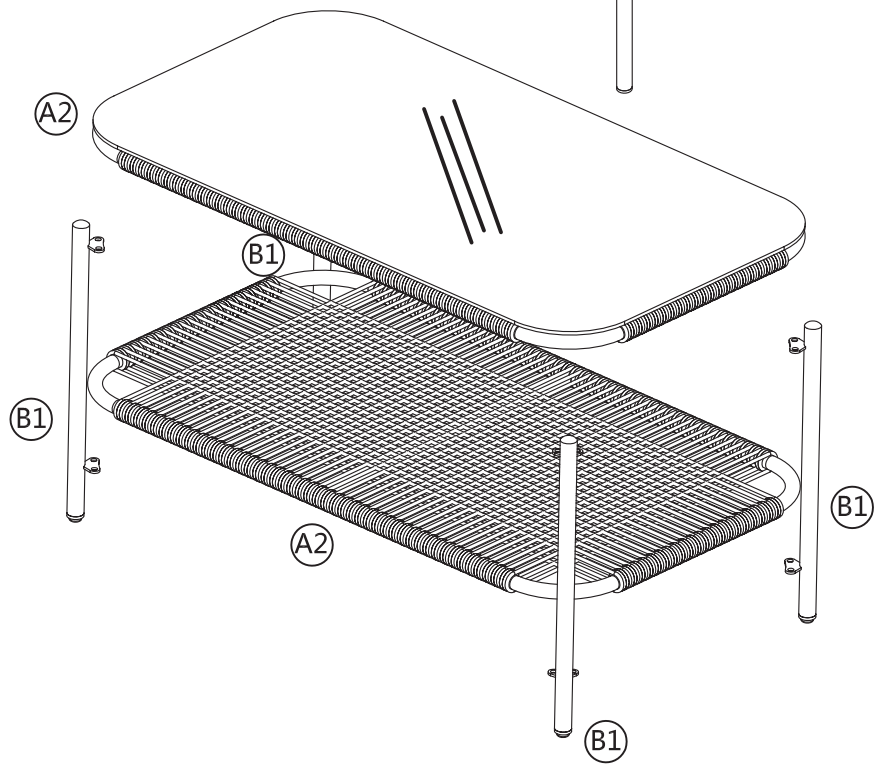
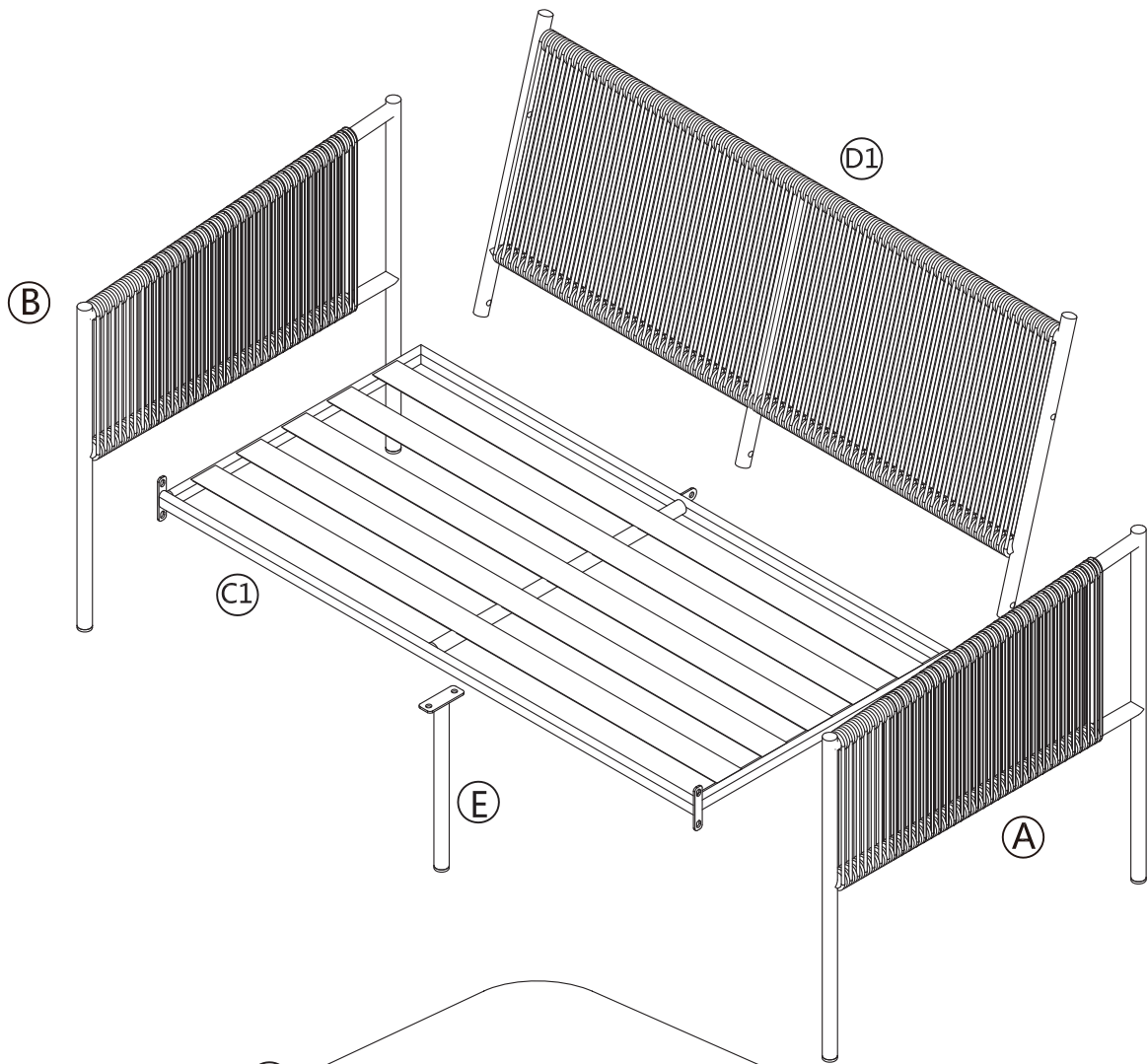
⑤ x 1

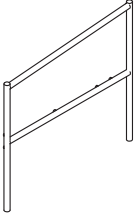
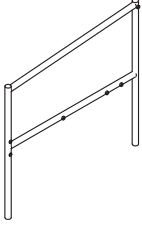
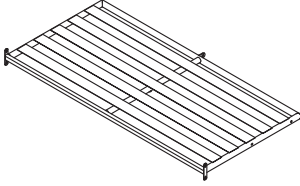
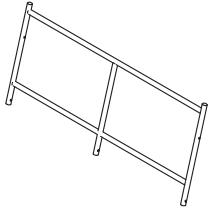
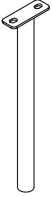
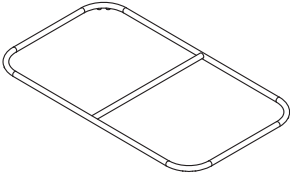
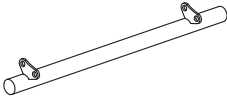
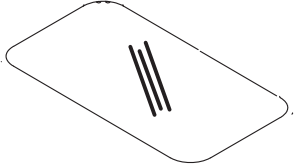


M6

⑥ x 1


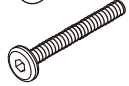






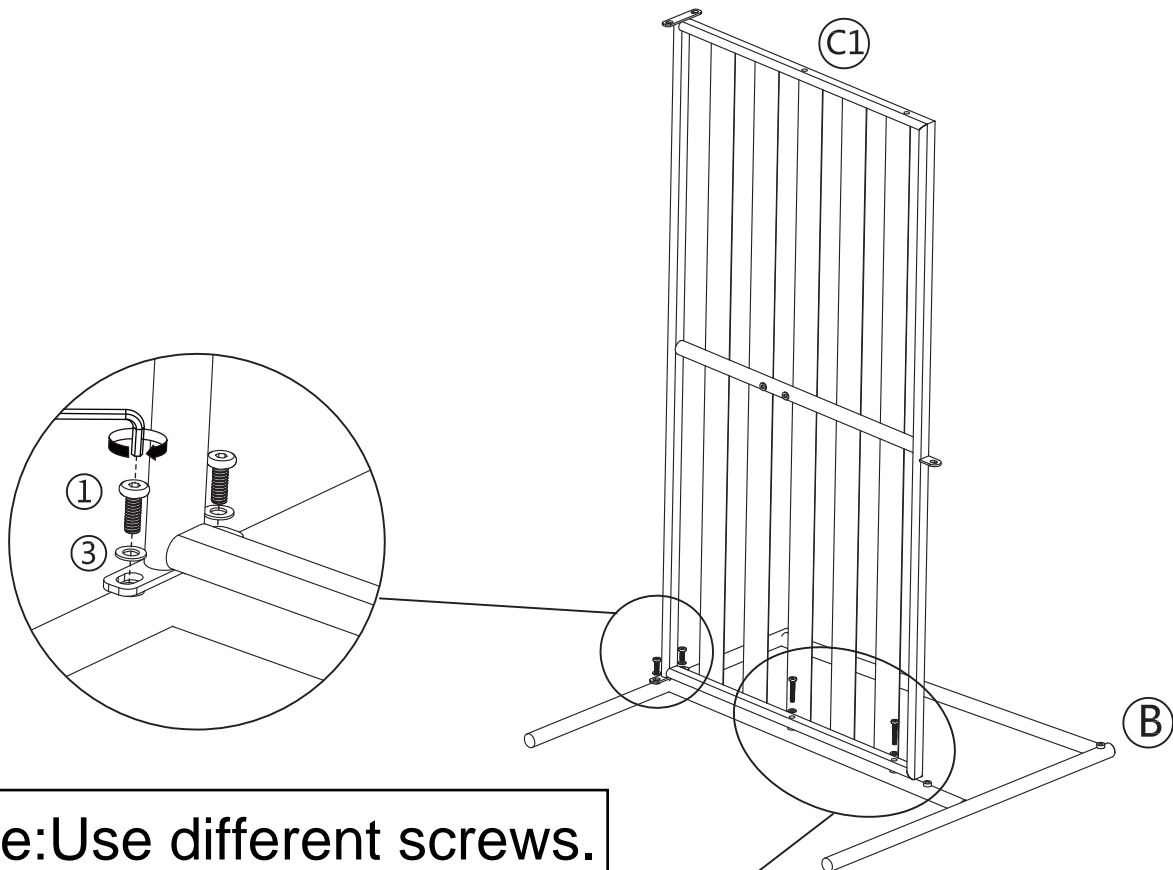
|   |   |  |   |
|---|---|--|---|
|  |  |  |  |
| Ⓐ Left armrest 1PC  | Ⓑ Right armrest 1PC   | Ⓒ1 Seat 1PC  | Ⓓ1 Back 1PC   |
|  |  |  |  |
| Ⓔ Leg 1PC   | Ⓐ2 Table frame 2PCS   | Ⓑ1 Table legs 4PCS   | Glass 1PC   |

# DOUBLE CHAIR

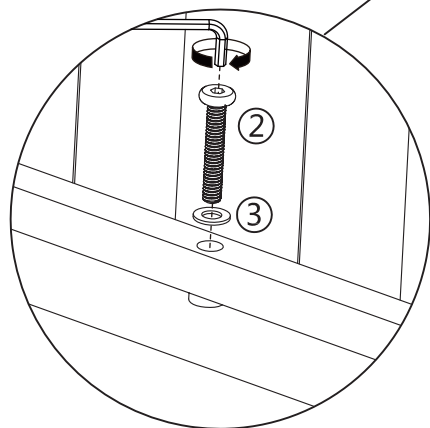
## STEP 1

|  |  |  |  |  |
|--|--|--|--|--|
| <p>① x 2</p>  <p>M6 x 15 mm</p> | <p>② x 2</p>  <p>M6 x 35 mm</p> | <p>③ x 4</p>  | <p>④ x 1</p>  |  |
|--|--|--|--|--|

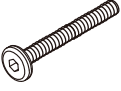


Fix Seat C1 to Right armrest B.  
**DO NOT FULLY TIGHTEN.**



Note: Use different screws.

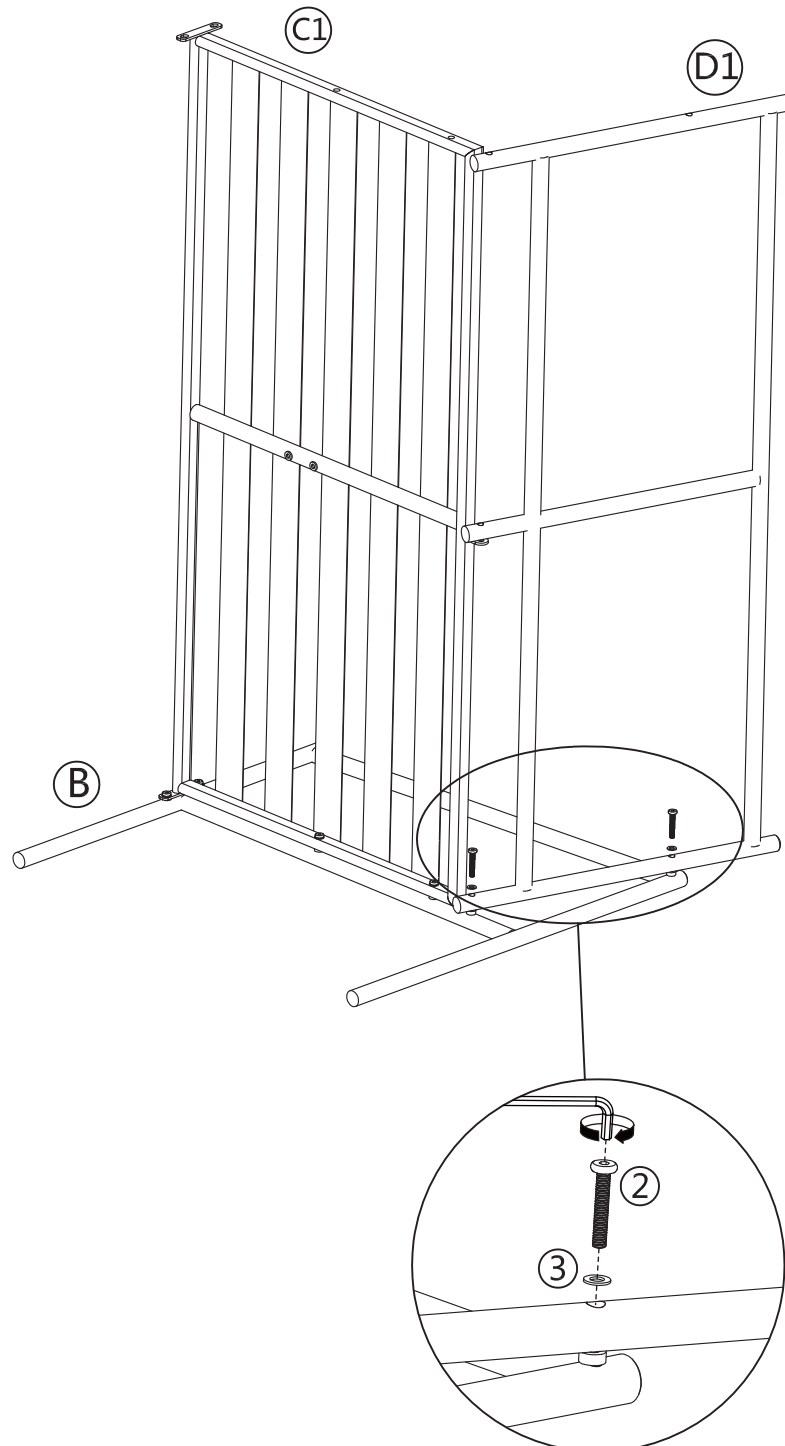


# STEP 2


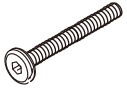


|  |  |  |  |
|--|--|--|--|
| <p>② x 2</p>  <p>M6 x 35 mm</p> | <p>③ x 2</p>  | <p>④ x 1</p>  |  |
|--|--|--|--|

Fix Back D1 to the Right armrest B.

**DO NOT FULLY TIGHTEN.**



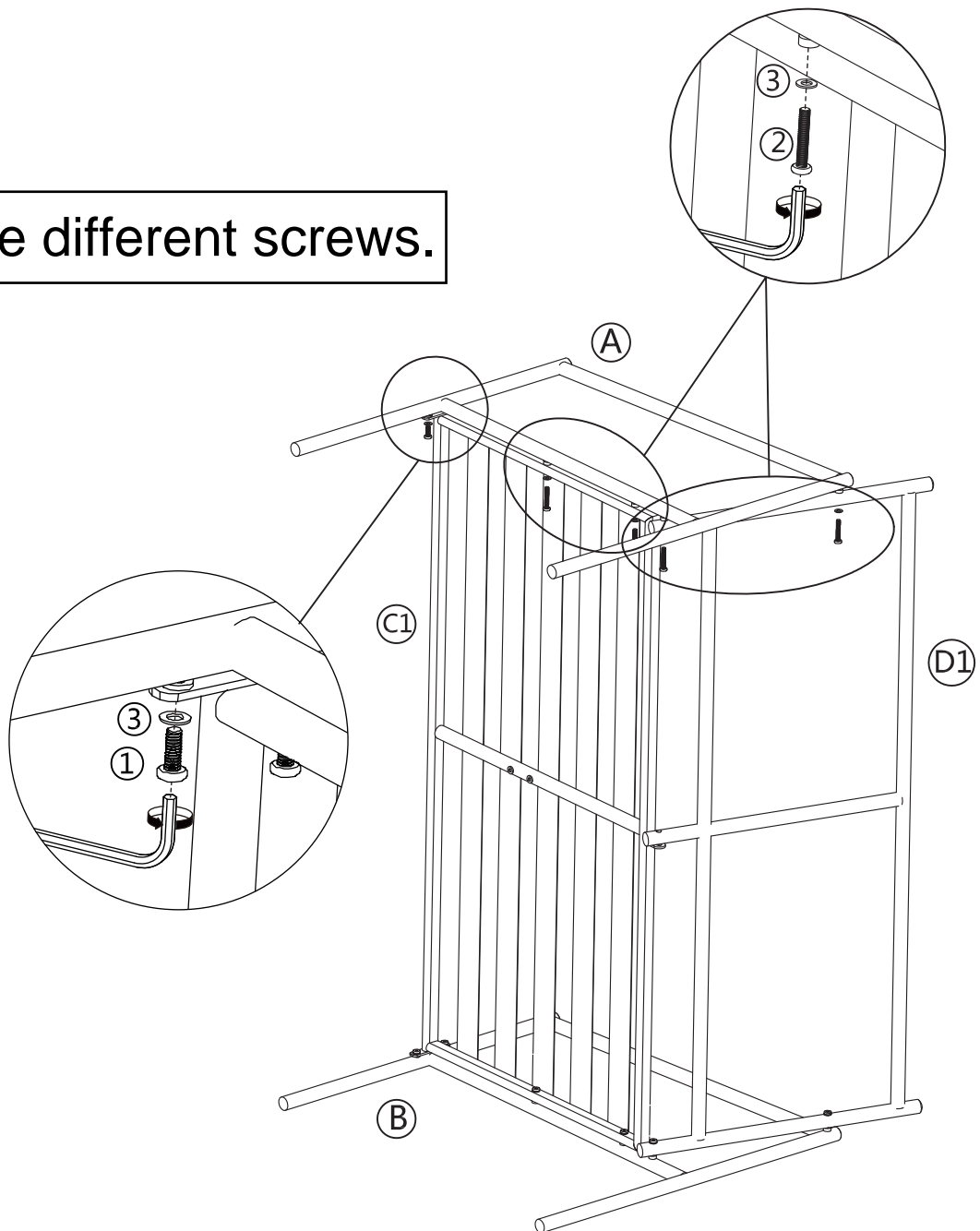
# STEP 3

|  |  |  |  |  |
|--|--|--|--|--|
| <p>① x 2</p>  <p>M6 x 15 mm</p> | <p>② x 4</p>  <p>M6 x 35 mm</p> | <p>③ x 6</p>  <p></p> | <p>④ x 1</p>  <p></p> |  |
|--|--|--|--|--|

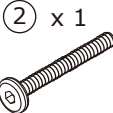




Fix the Seat C1 to the Left armrest A.

**DO NOT FULLY TIGHTEN.**

Note: Use different screws.

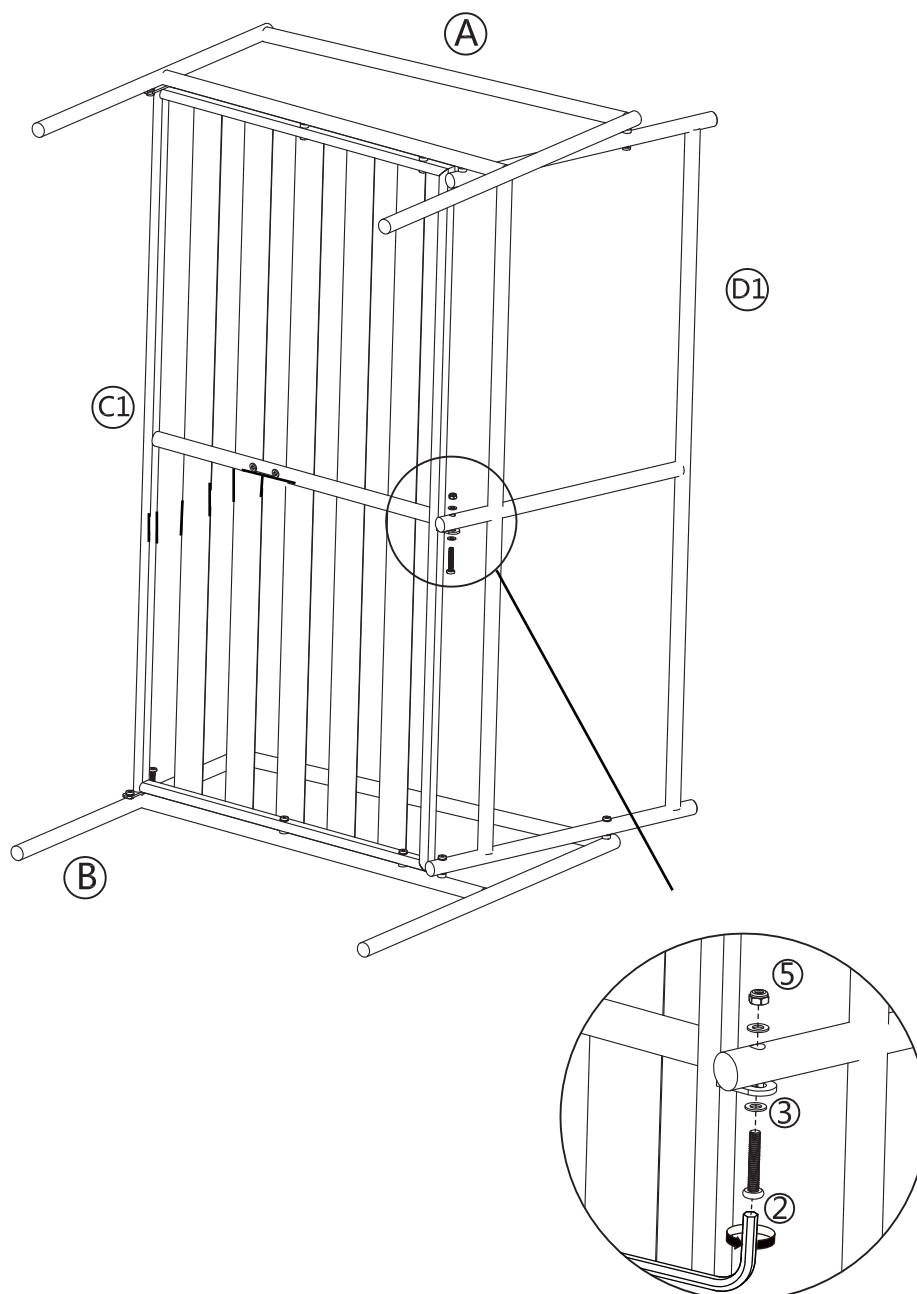


# STEP 4

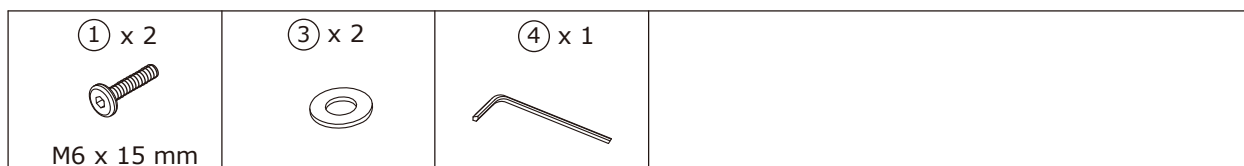
|  |  |  |  |   |  |
|--|--|--|--|---|--|
| <br>② x 1<br>M6 x 35 mm | <br>③ x 2 | <br>④ x 1 | <br>⑤ x 1 | <br>⑥ x 1 |  |
|--|--|--|--|---|--|

Fix Back D1 with Seat C1.

**DO NOT FULLY TIGHTEN.**

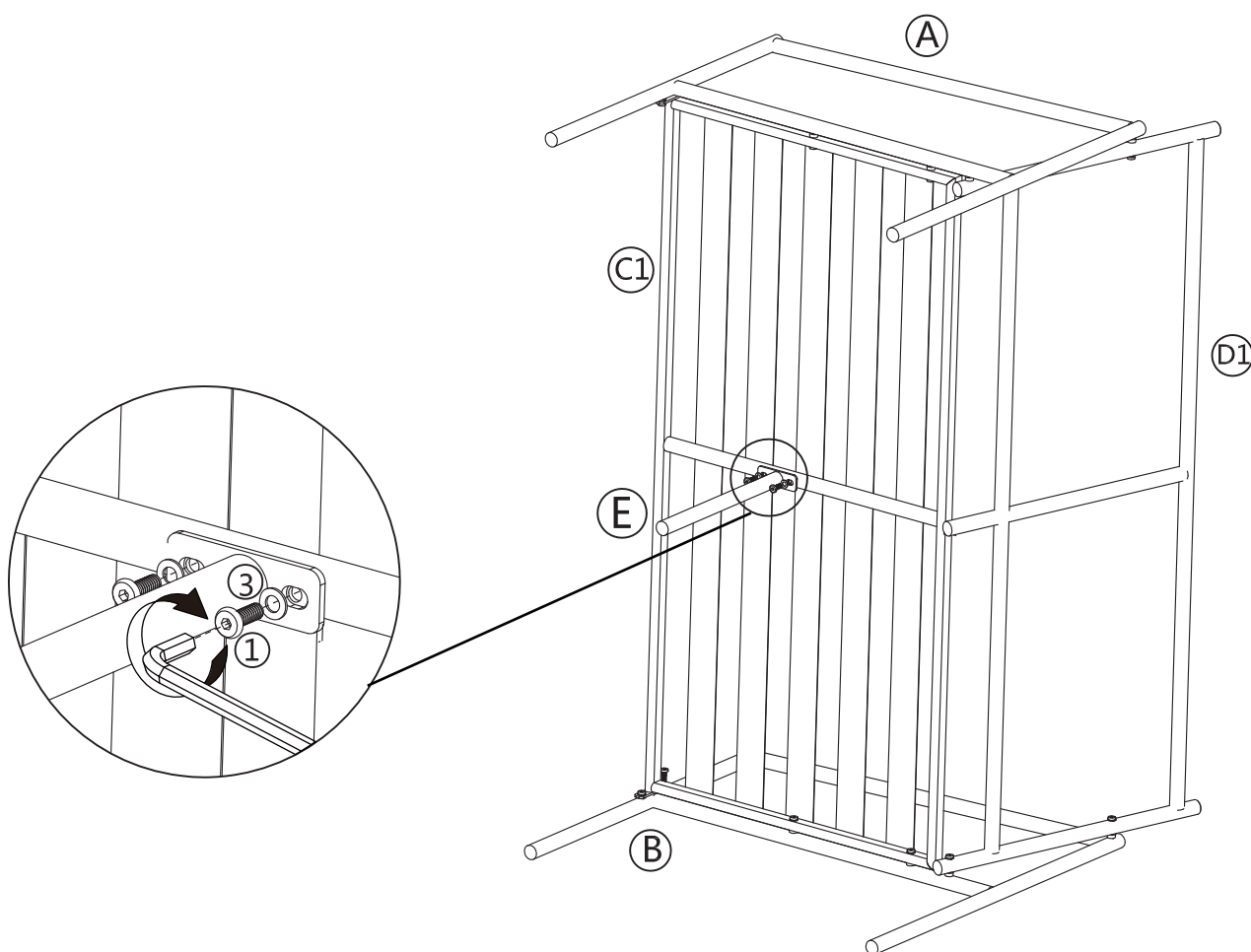


# STEP 5



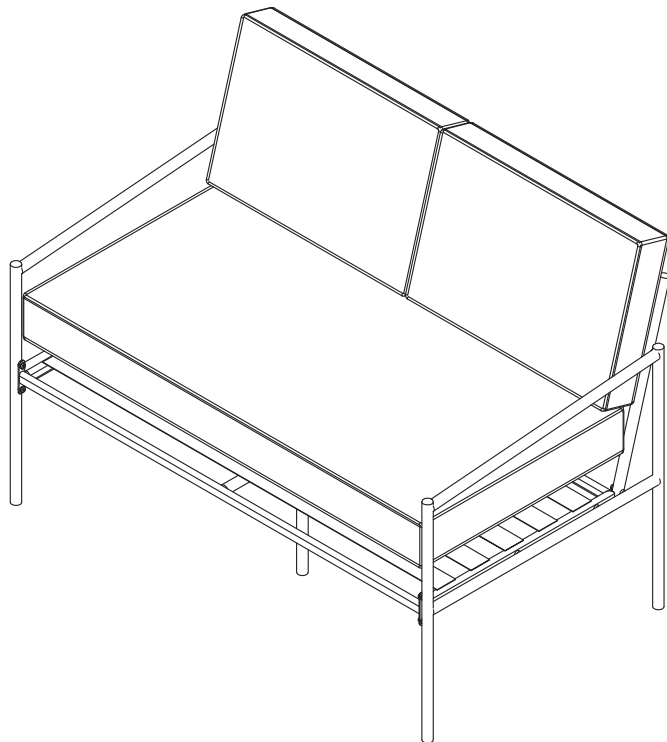
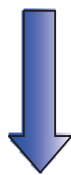
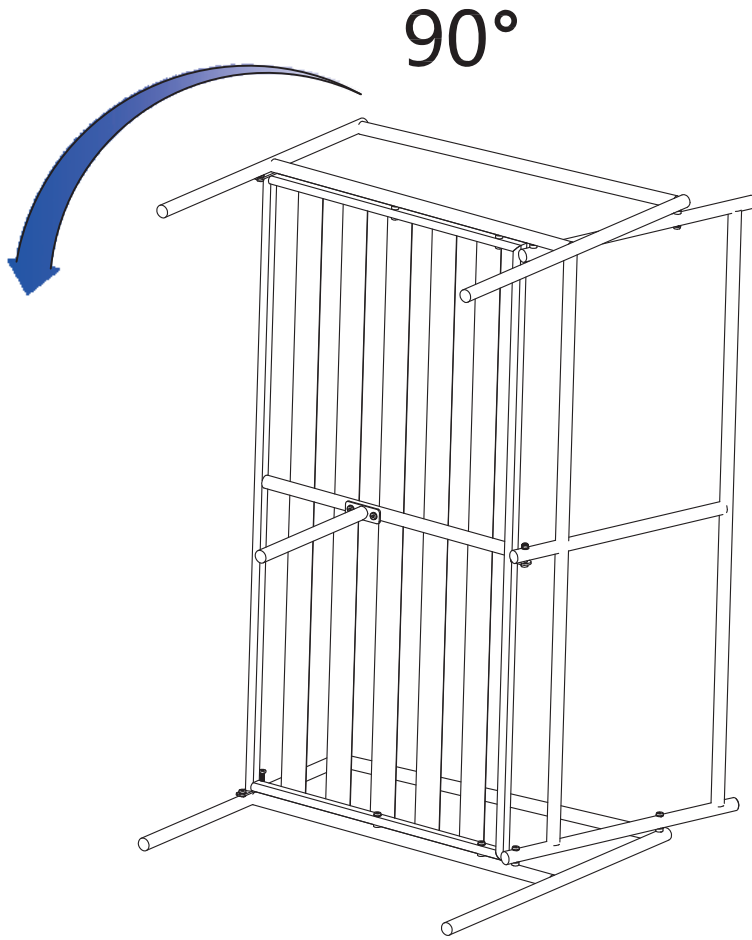
Fix Leg E onto the bottom of C1.

**DO NOT FULLY TIGHTEN.**



**Adjust alignments and NOW  
TIGHTEN ALL SCREWS with Allen key (4).**




# STEP 6



Put the cushions on.

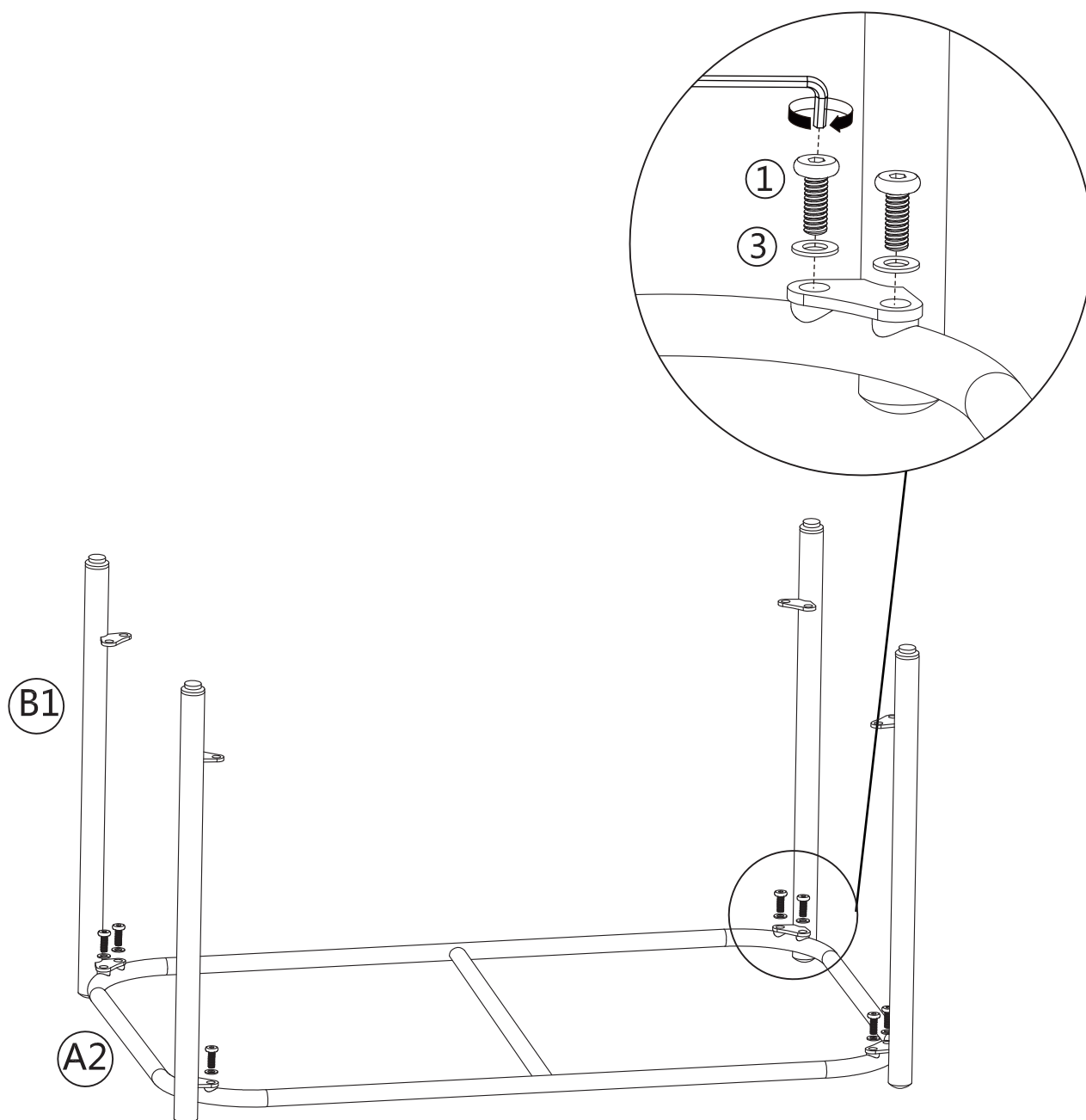
# COFFEE TABLE

## STEP 7

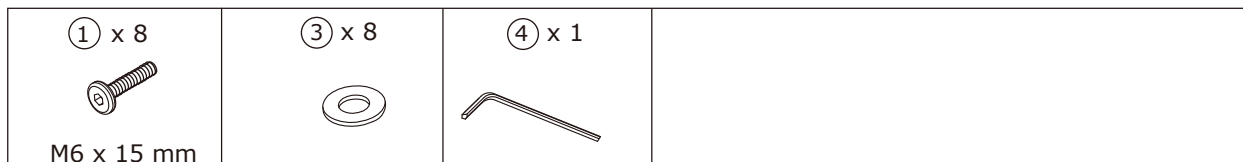
|  |  |  |  |
|--|--|--|--|
| <p>① x 8</p>  <p>M6 x 15 mm</p> | <p>③ x 8</p>  | <p>④ x 1</p>  |  |
|--|--|--|--|

Fix Table frame A2 onto the Leg B1.

**DO NOT FULLY TIGHTEN.**

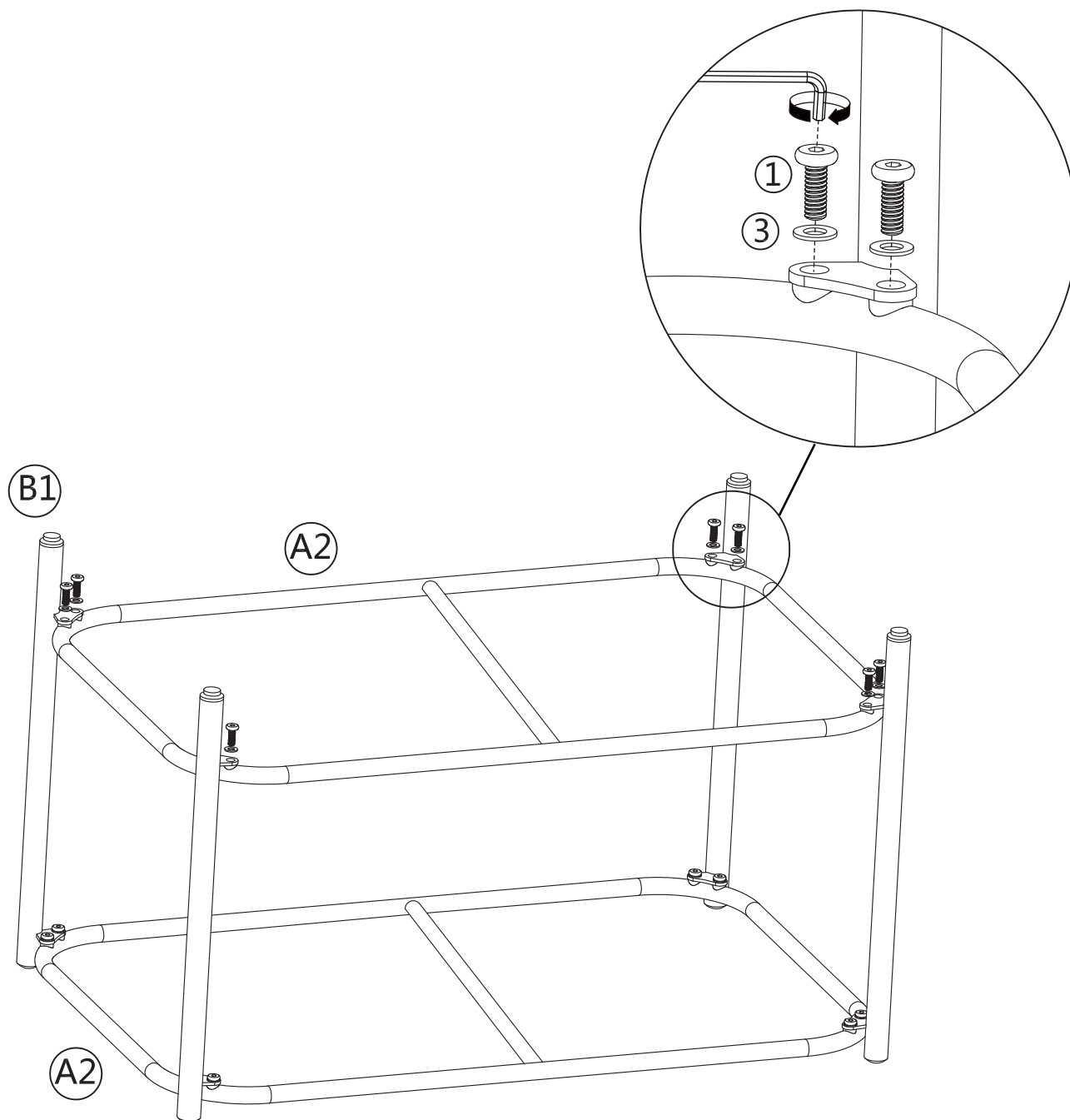


# STEP 8



Fix the other Table frame onto the leg B1.

**DO NOT FULLY TIGHTEN.**



**Adjust alignments and NOW  
TIGHTEN ALL SCREWS with Allen key (4).**

# STEP 9



Put the glass on.

180°

