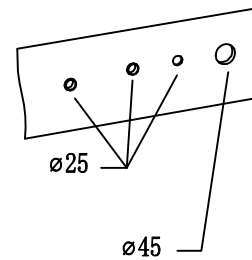
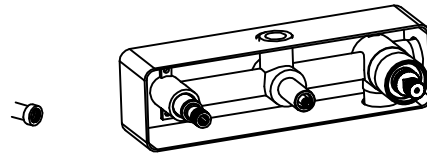
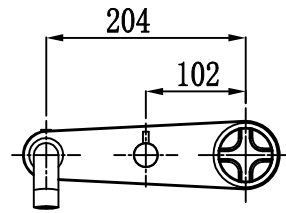
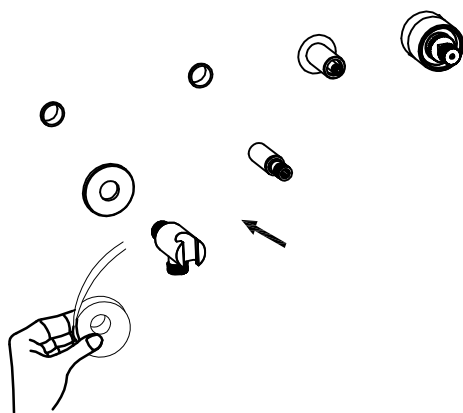


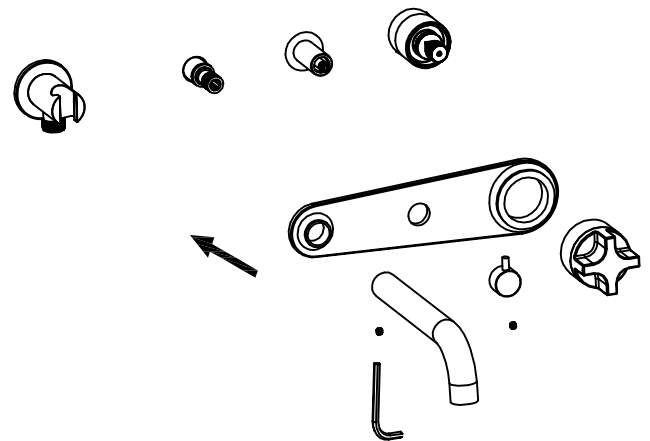
3. Shut on water supply, to test if all are connected very well, no any leakage.



4. Drill hole on the tile $\varnothing 25$
 Drill hole on the tile $\varnothing 45$
 Drill hole on the tile as per above instructions.



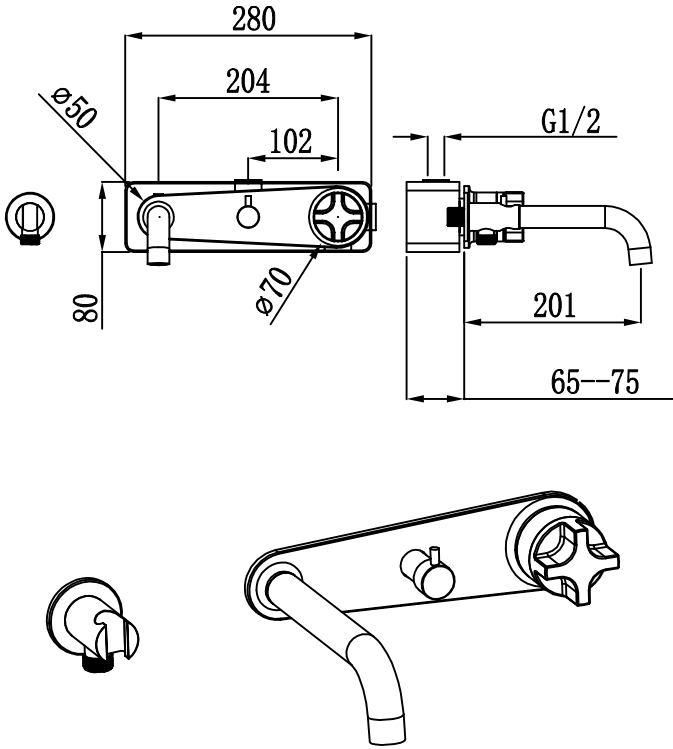
5. Wrap tape on the shower holder and connect it to the water connector in the wall; Then wrap tape same on the spout connector, and secure it to the mixer' s spout outlet.



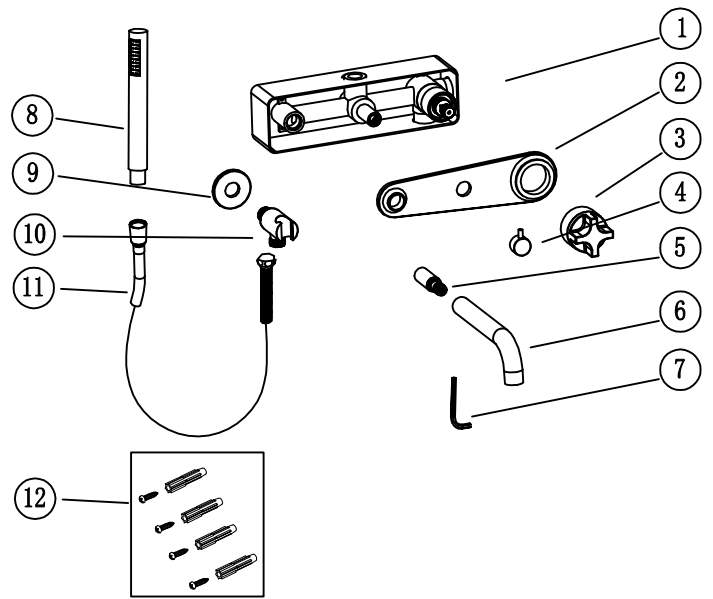
6. Put on the cover of mixer, then using the supplier Allen key to connect the spout to the spout connector, switch valve knob to the mixer. Finally attach the handle. After installation is complete, turn on the water supply valves and allow both hot and cold water to run at least one minute each. While water is running, check for leaks, especially at hook-ups to supply lines. Tightening nuts slightly will stop any minor leaks

Installation manual

Drawing

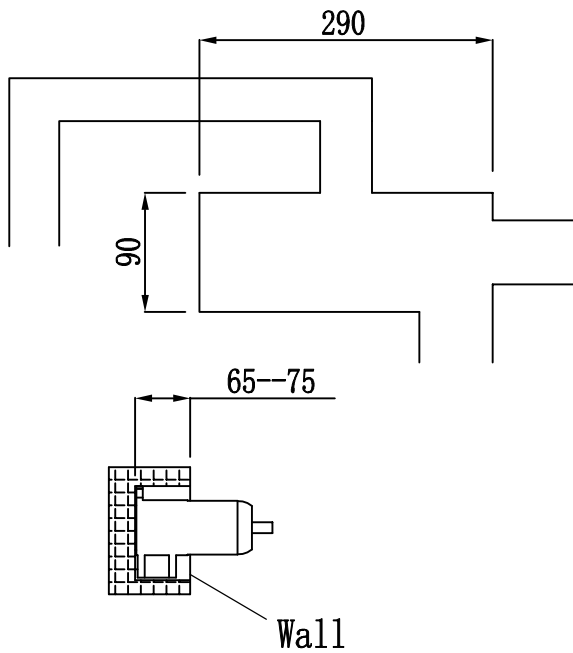


Package contents



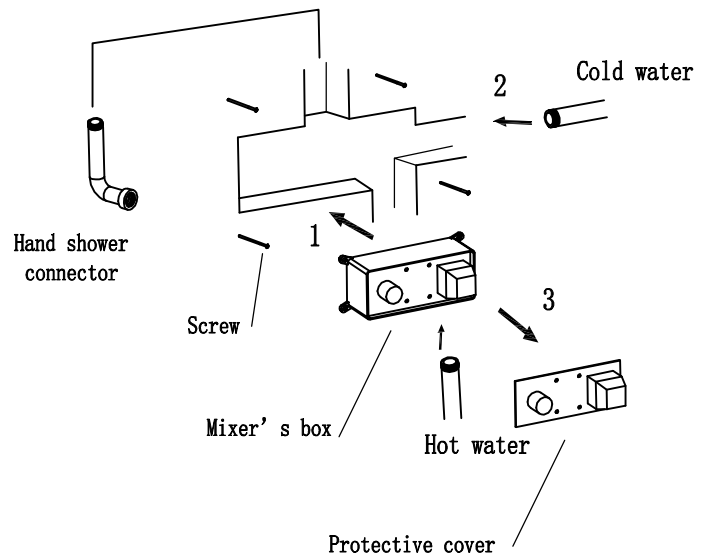
12	screw	6	Spout
11	Shower hose	5	Spout connector
10	Shower holder	4	Switch valve knob
9	Cover for hand shower	3	Handle
8	Hand shower	2	Cover for mixer
7	Allen Key	1	Mixer

Assembly



1. Tile wall

Refer to above drawings, cut the installation hole on the wall. The height to the floor could be adjusted if needed.



2. Connect pipes with cold and hot water to the mixer. Secure mixer to the wall.