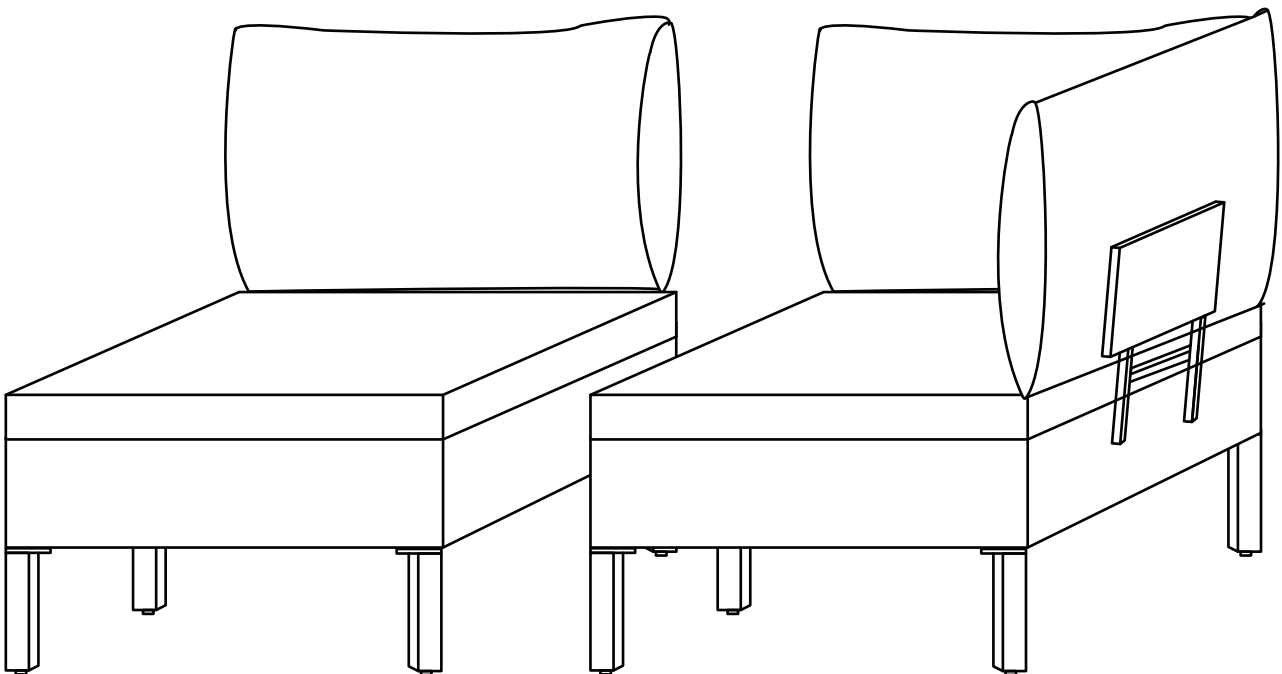


1 CORNER SEAT + 1 SINGLE SEAT

There is no need to return your furniture set.
Contact us for after-sale service!



After-sales mailbox:
Patiofurniture Serviceteam@outlook.com

NOTICE

Please keep these instructions for future reference.

Dear Customer

- Thank you for your purchase. When you receive the product, please make sure that all the parts are intact. Then follow the entire installation instructions to install!
- There is an installation video on the product page, you can open the product page to view it or contact customer service to receive it.

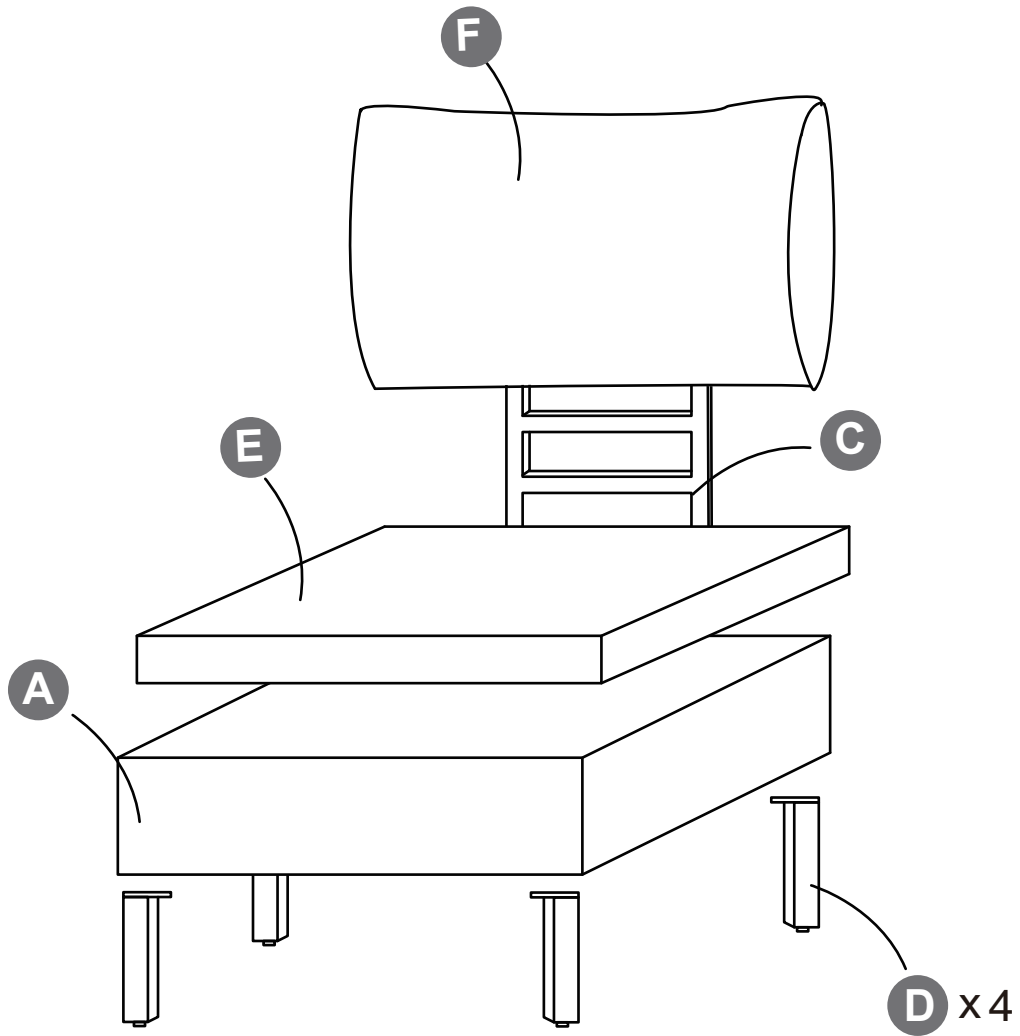
- A . The outer box is damaged
- B . The product is damaged / bent / cracked while you open the box
- C . The parts / accessories / assembly tools are missing
- D . The instructions are not clear and can not be referred
- E . The product has functional problems
- F . Other aspects that you are not satisfied with

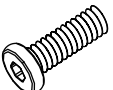
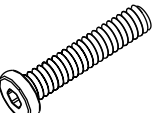

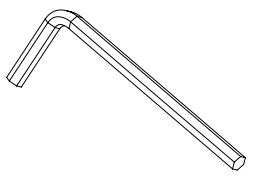
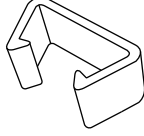
Please feel free to contact us for help, and provide the following information:Platform/Shop name|Order ID|buyer's name/ receiver's address/Problem description.

(Patiofurniture Serviceteam@outlook.com) will reply within 24 hours and will do our best to resolve the problem for you.



PART LIST

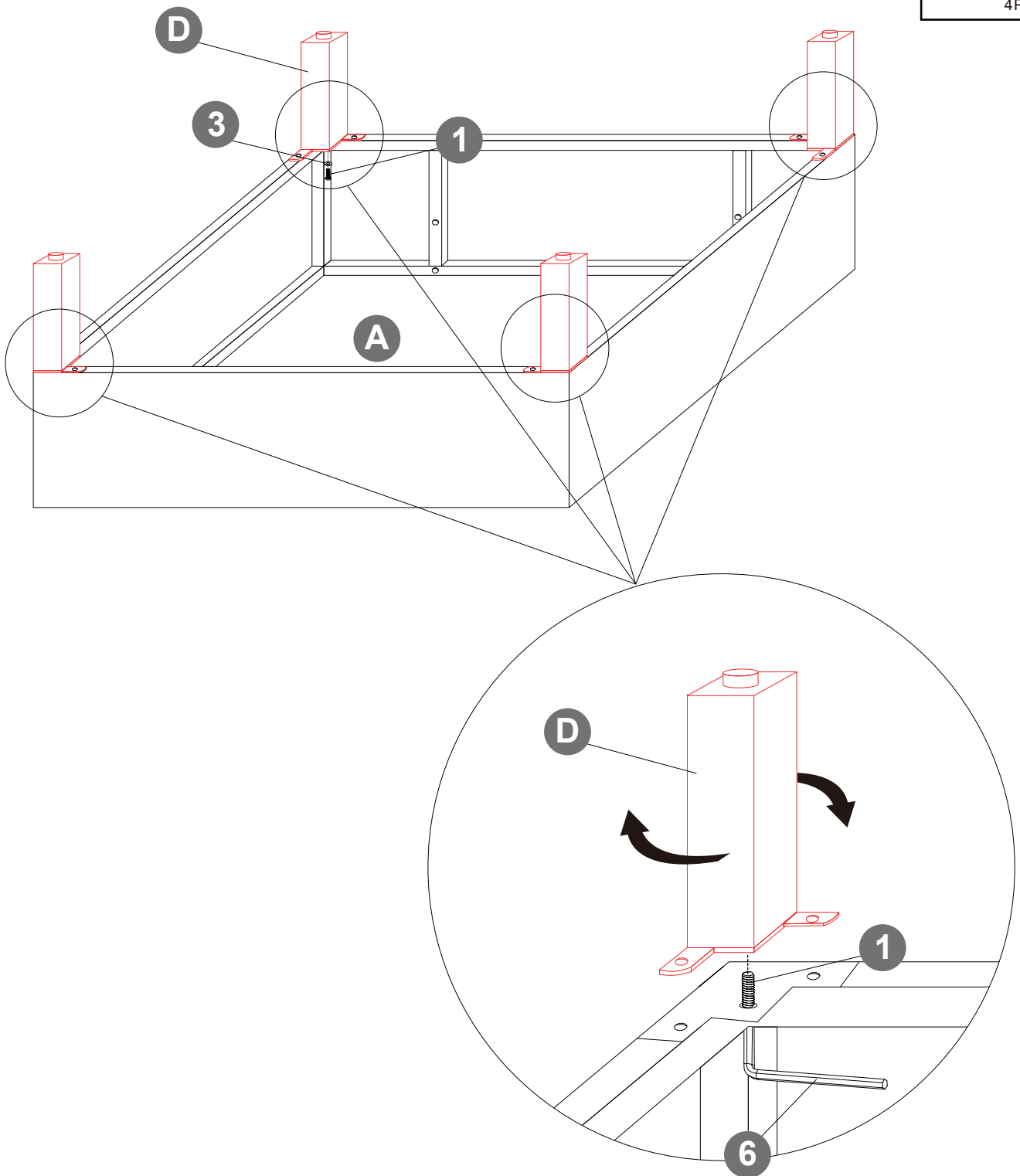
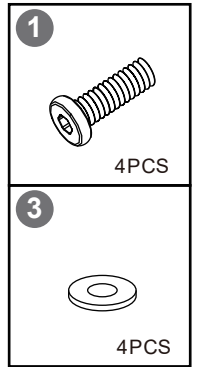


<p>1</p>  <p>M6*15MM</p> <p>x 12</p>	<p>2</p>  <p>M6*30MM</p> <p>x 4</p>	<p>3</p>  <p>Gasket</p> <p>x 16</p>	<p>6</p>  <p>x 1</p>
<p>N</p>  <p>x 2</p>			

STEP

1

Place the screw through the hole and hold the screw in place with Tool 6. Rotate the bottom of Part D against the screw to hold the screw in place 90°.

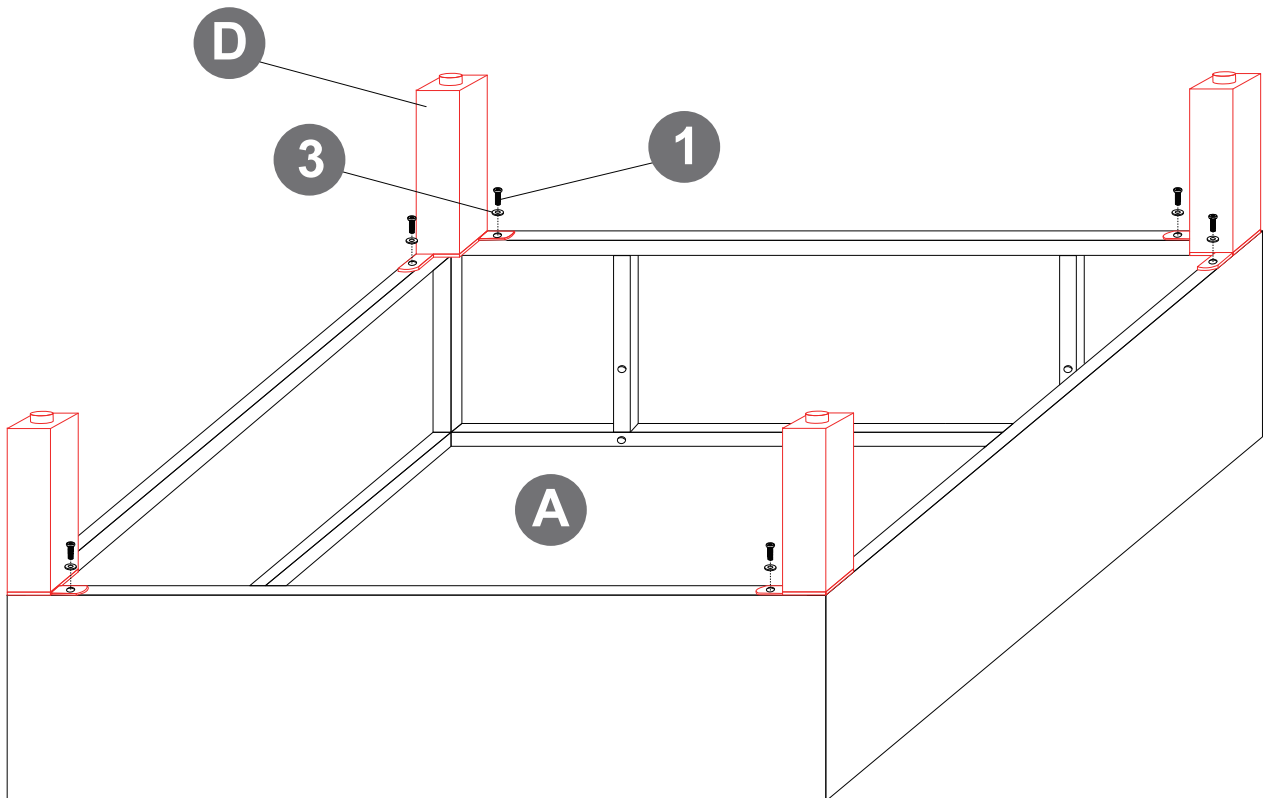
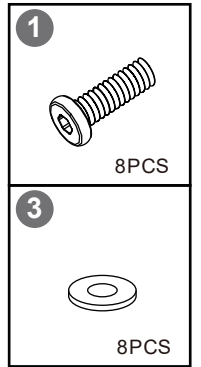


3

STEP

2

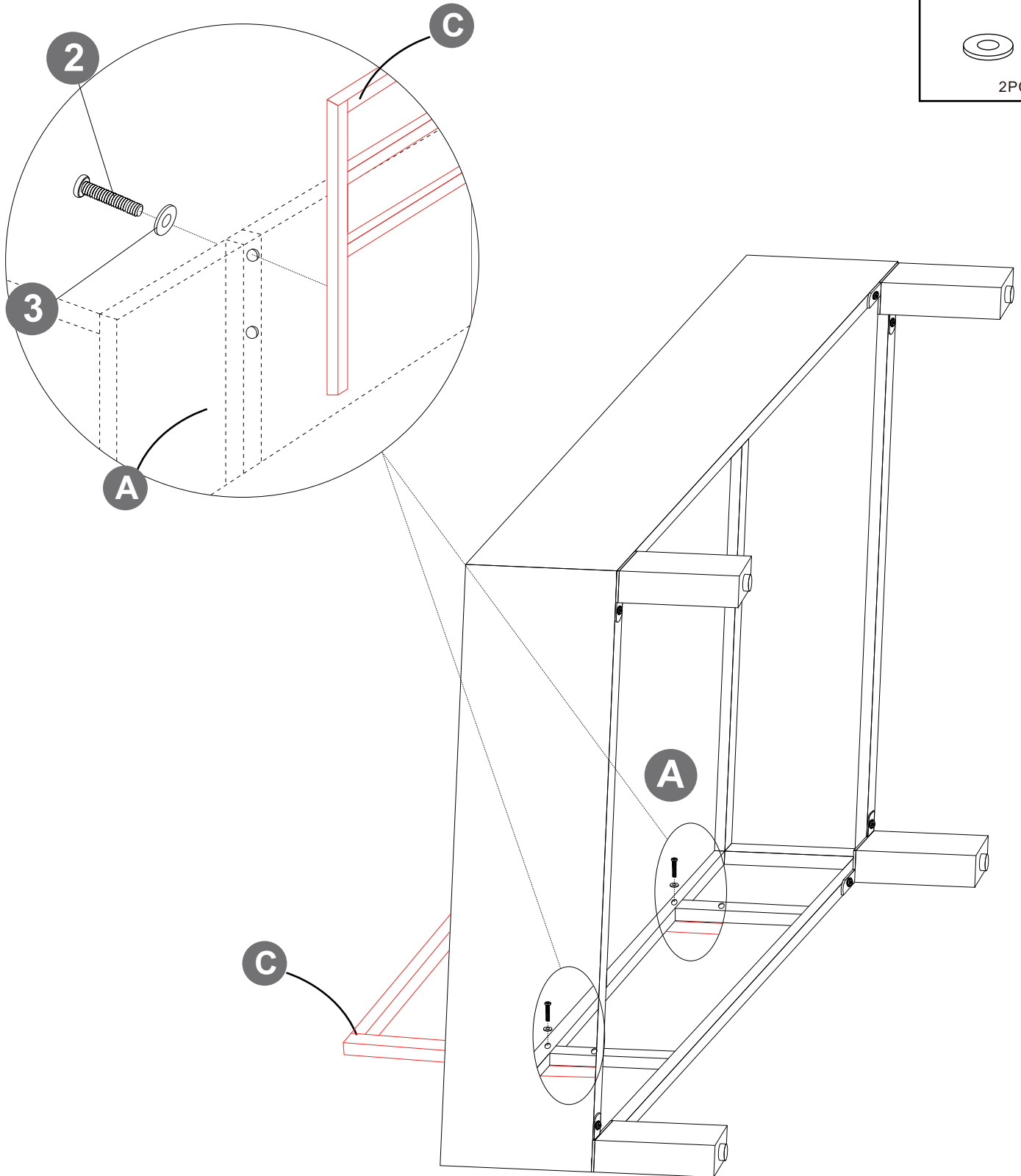
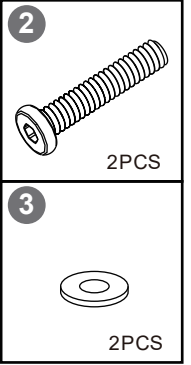
After tightening the screws, tighten the bottom screws



STEP

3

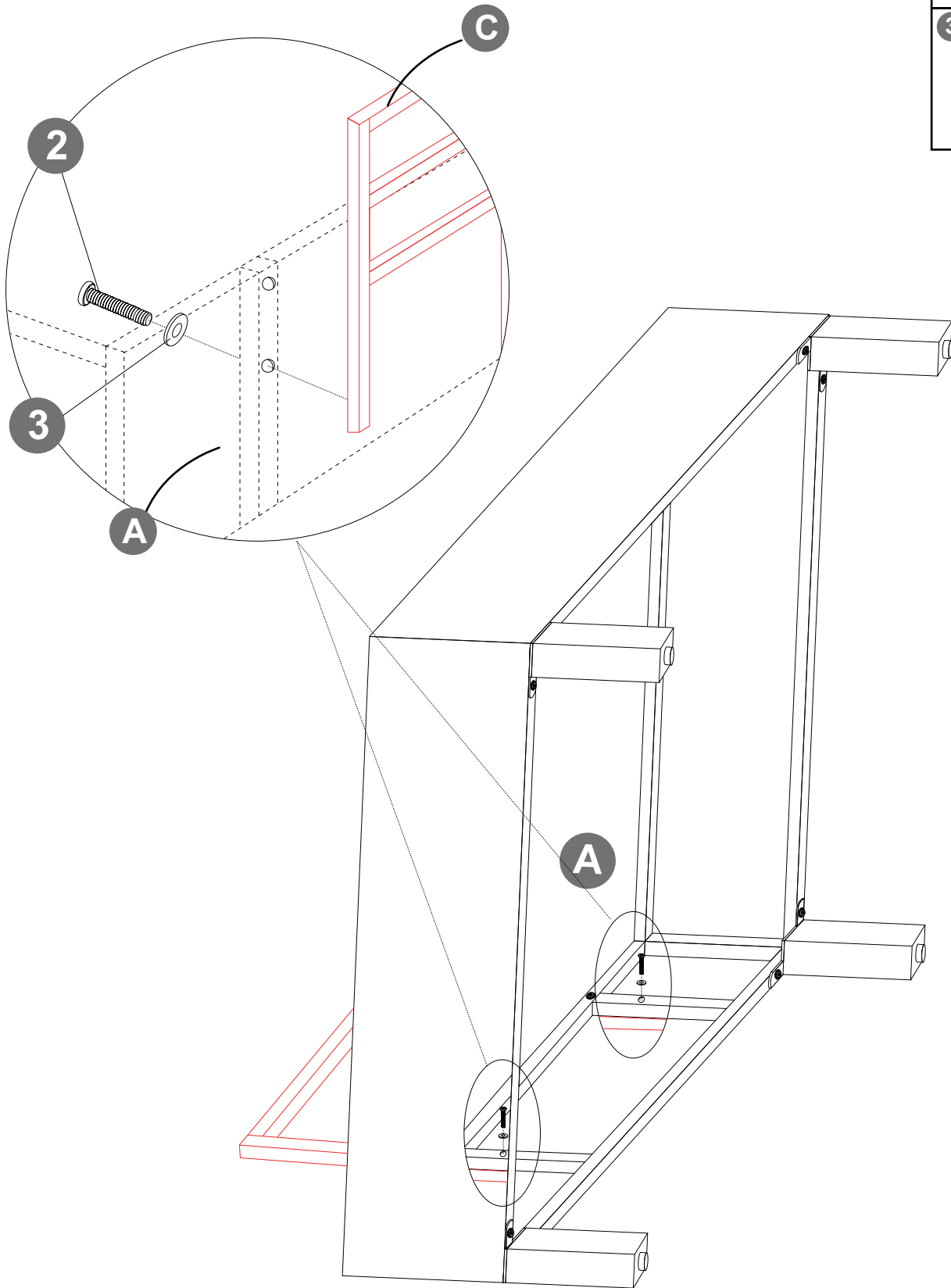
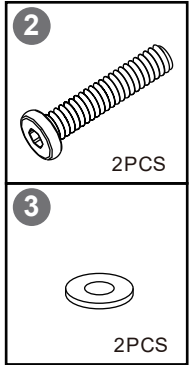
Align holes by placing part C under part A to make installation easier. Tighten the screws 40% to proceed to the next step in the installation.



STEP

4

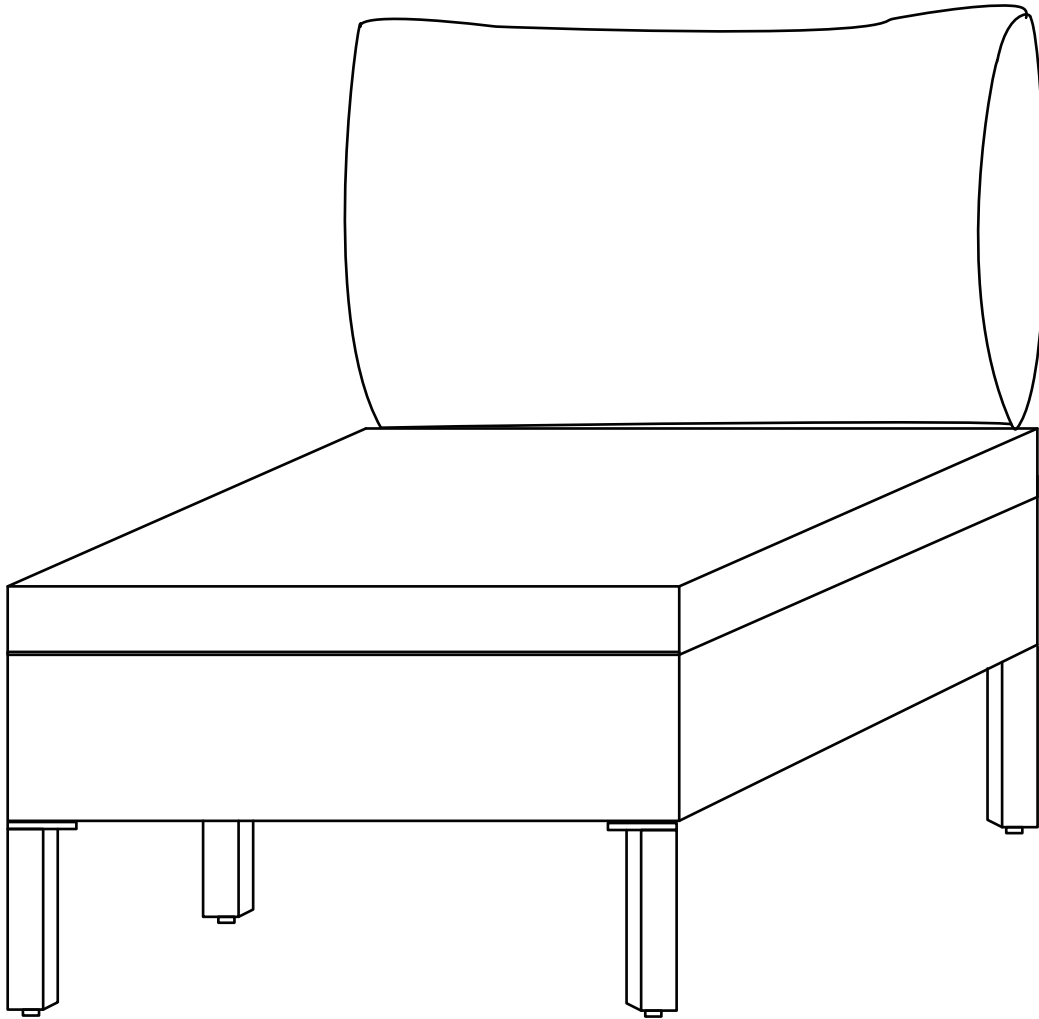
Tighten screws 40% and all screws when finished.



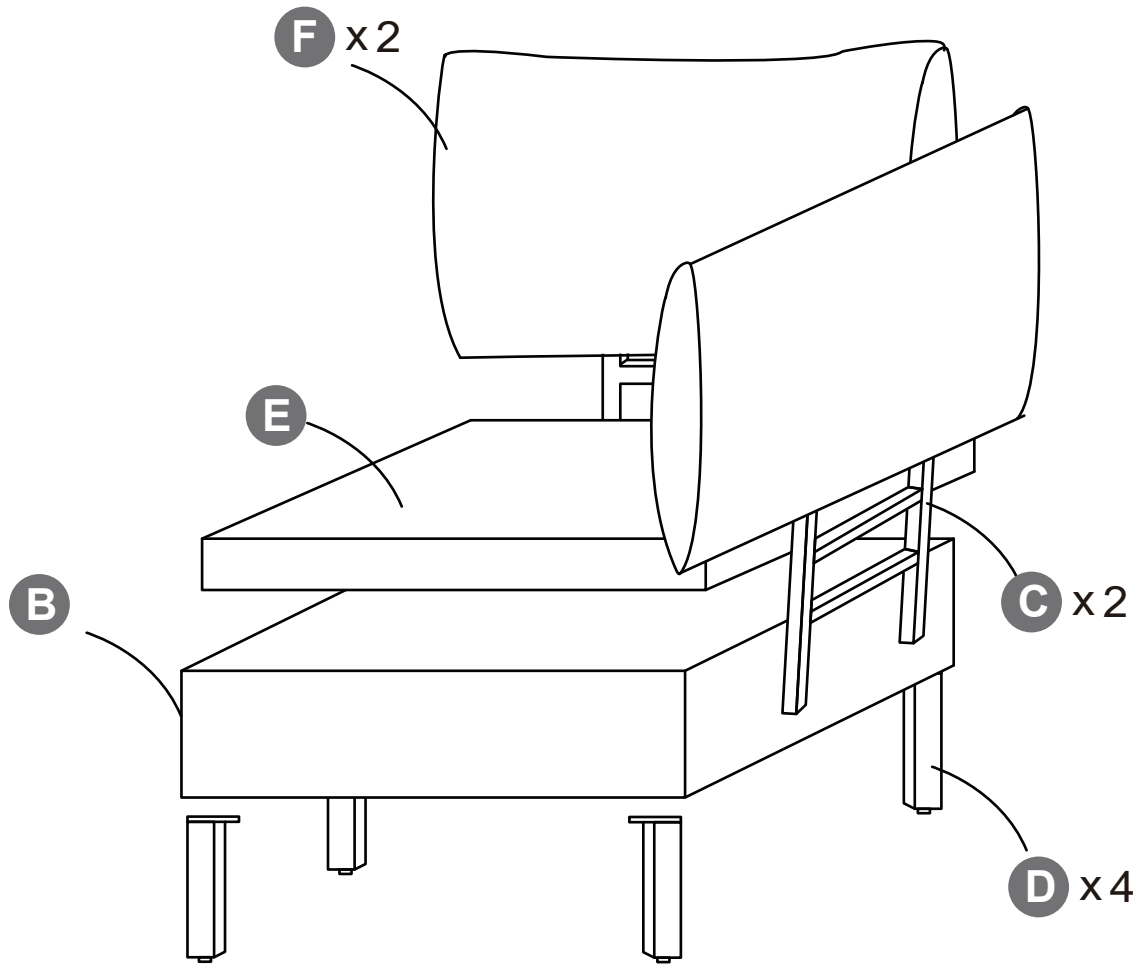
6


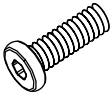
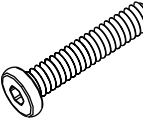
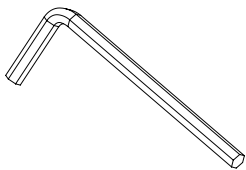
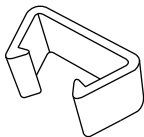
STEP

Completing the Installation



PART LIST

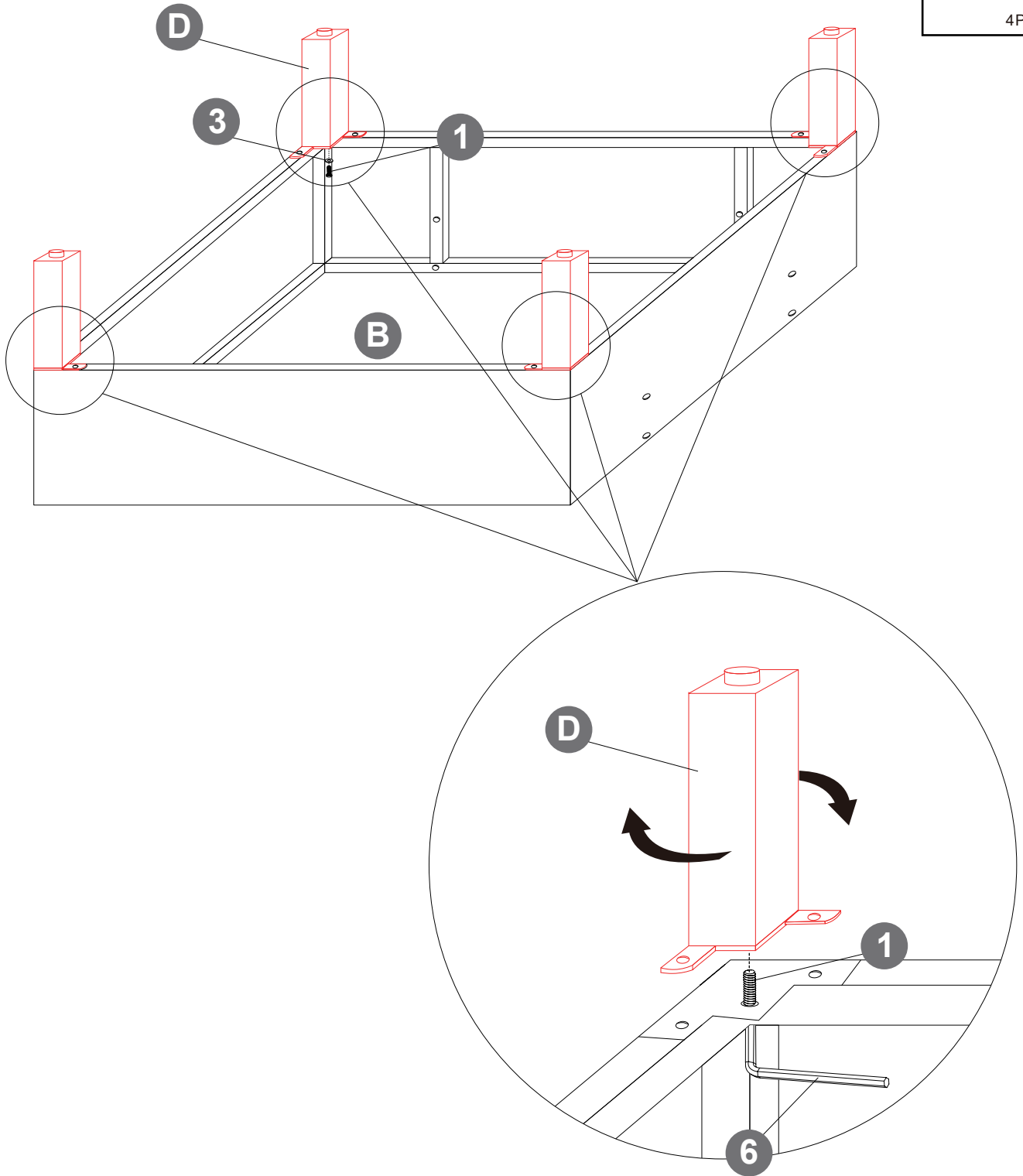
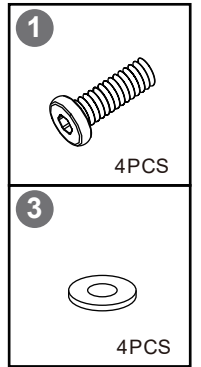


<p>3</p>  <p>Gasket</p> <p>x 20</p>	<p>1</p>  <p>M6*15MM</p> <p>x 12</p>	<p>2</p>  <p>M6*30MM</p> <p>x 8</p>	<p>6</p>  <p>x 1</p>
<p>N</p>  <p>x 2</p>			

STEP

5

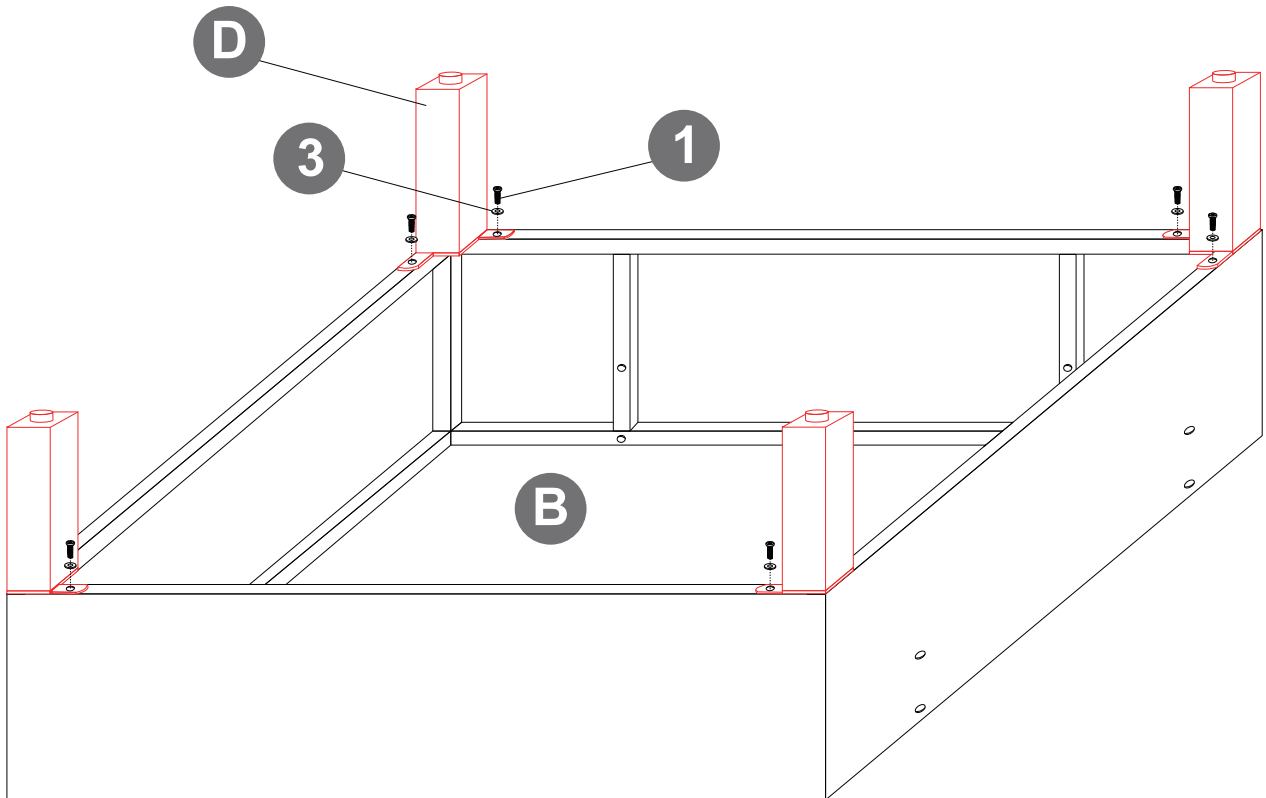
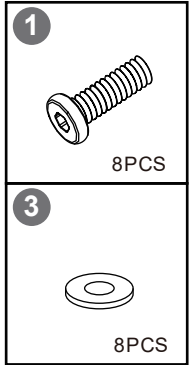
Place the screw through the hole and hold the screw in place with Tool 6. Rotate the bottom of Part D against the screw to hold the screw in place 90°.



STEP

6

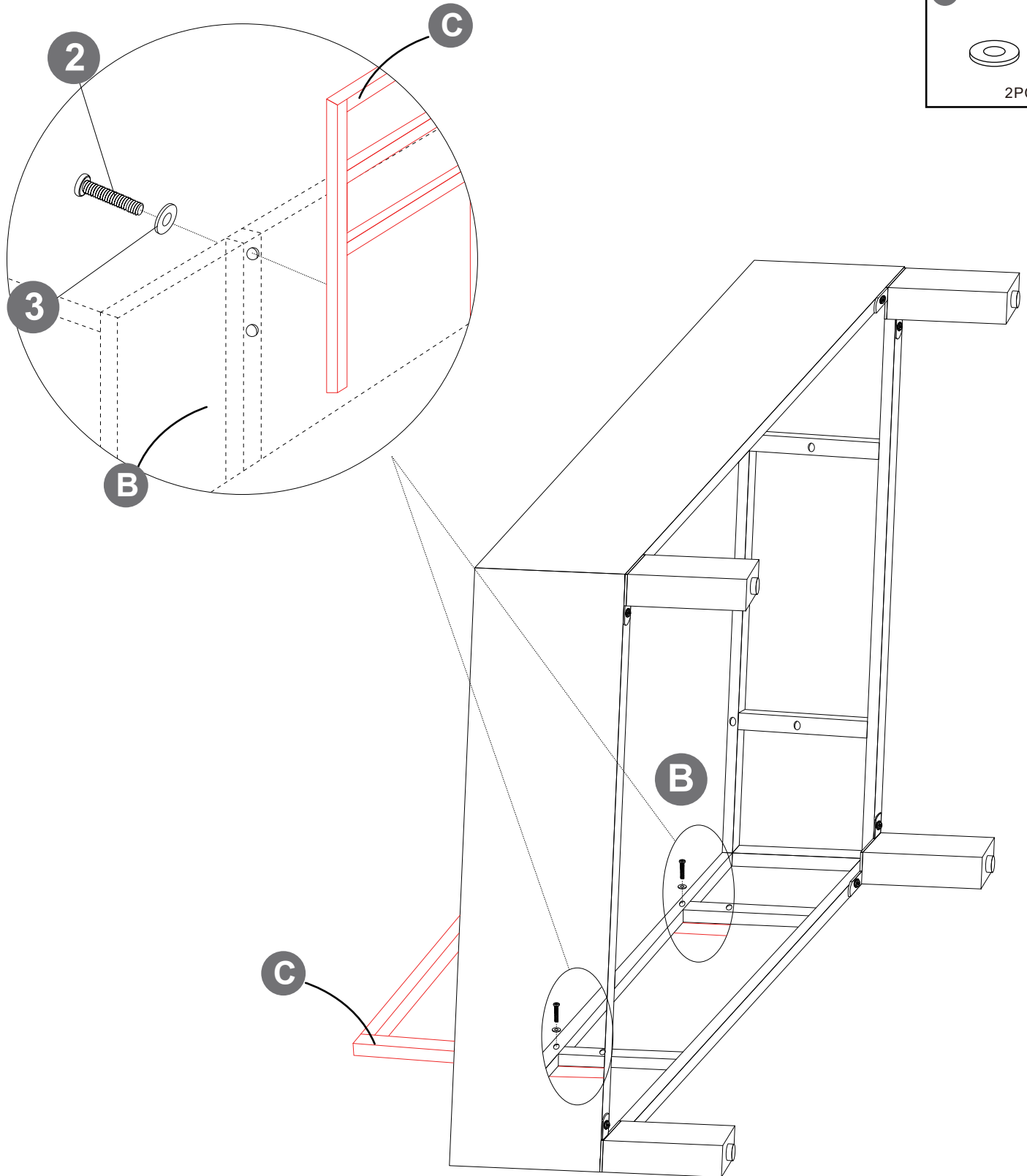
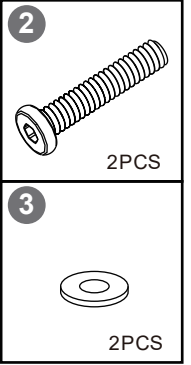
After tightening the screws, tighten the bottom screws



STEP

7

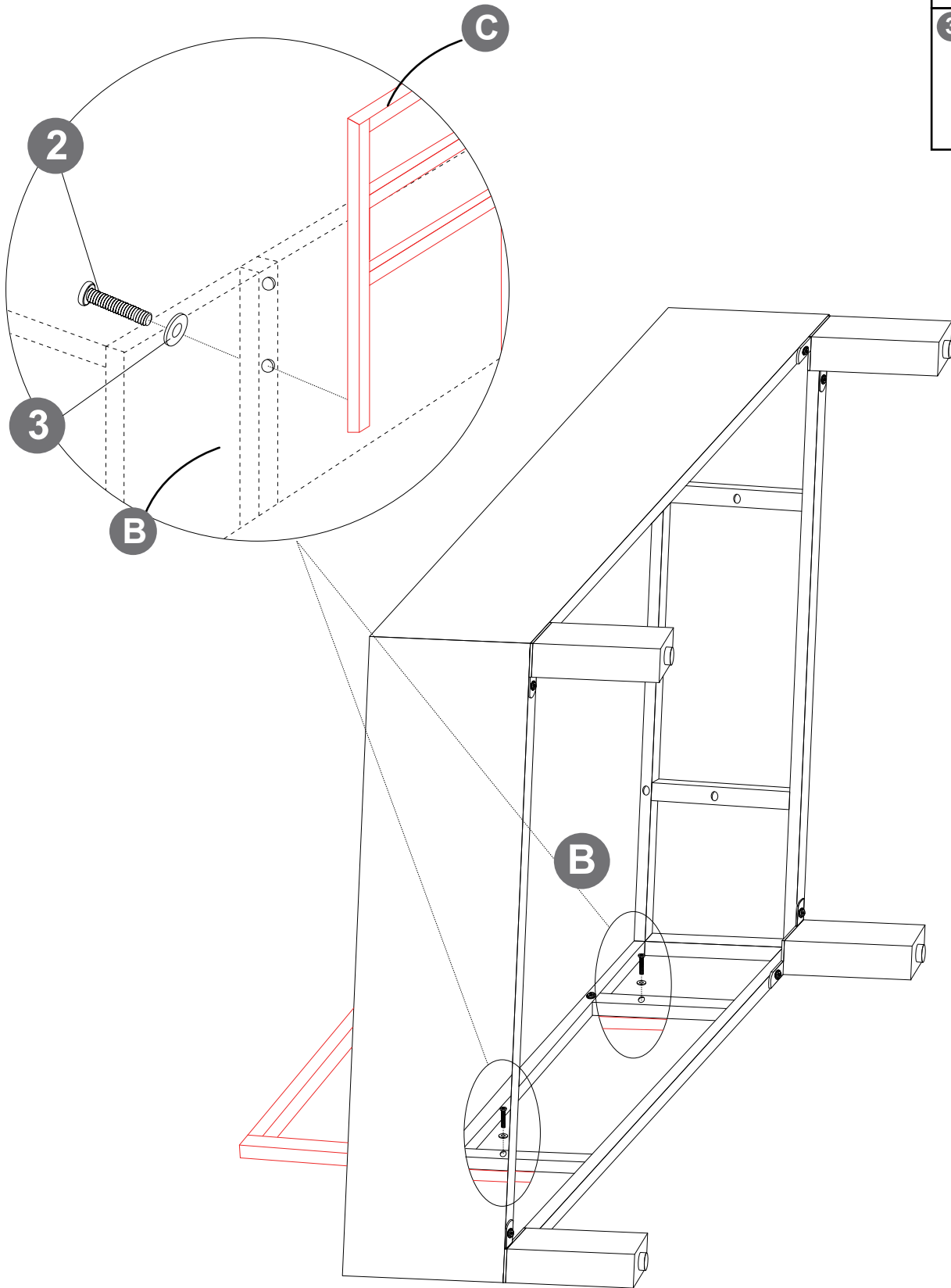
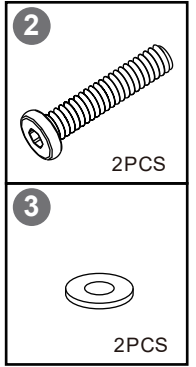
Align holes by placing part C under part B to make installation easier. Tighten the screws 40% to proceed to the next step in the installation.



STEP

8

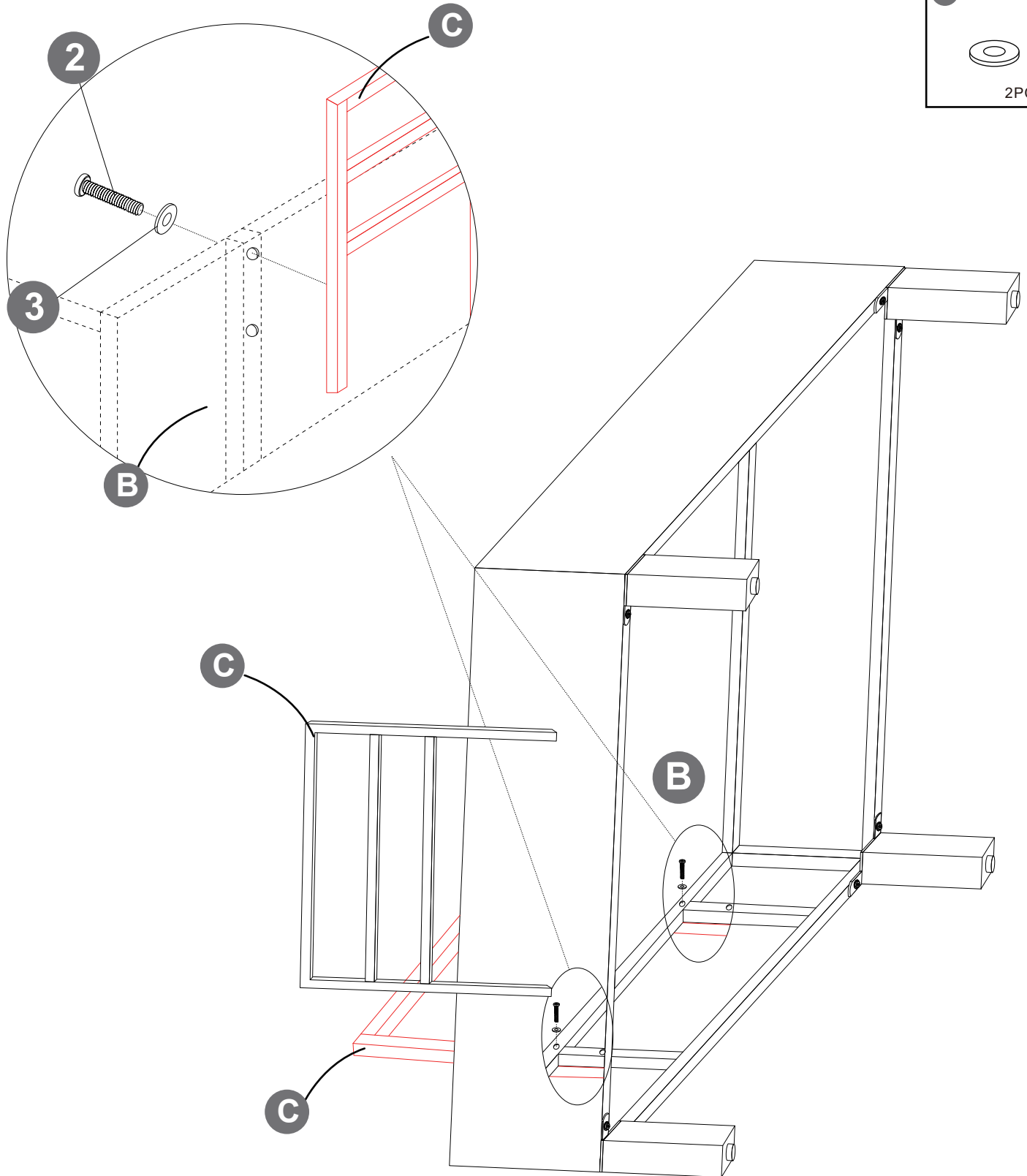
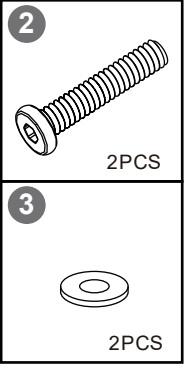
Tighten screws 40% and all screws when finished.



STEP

9

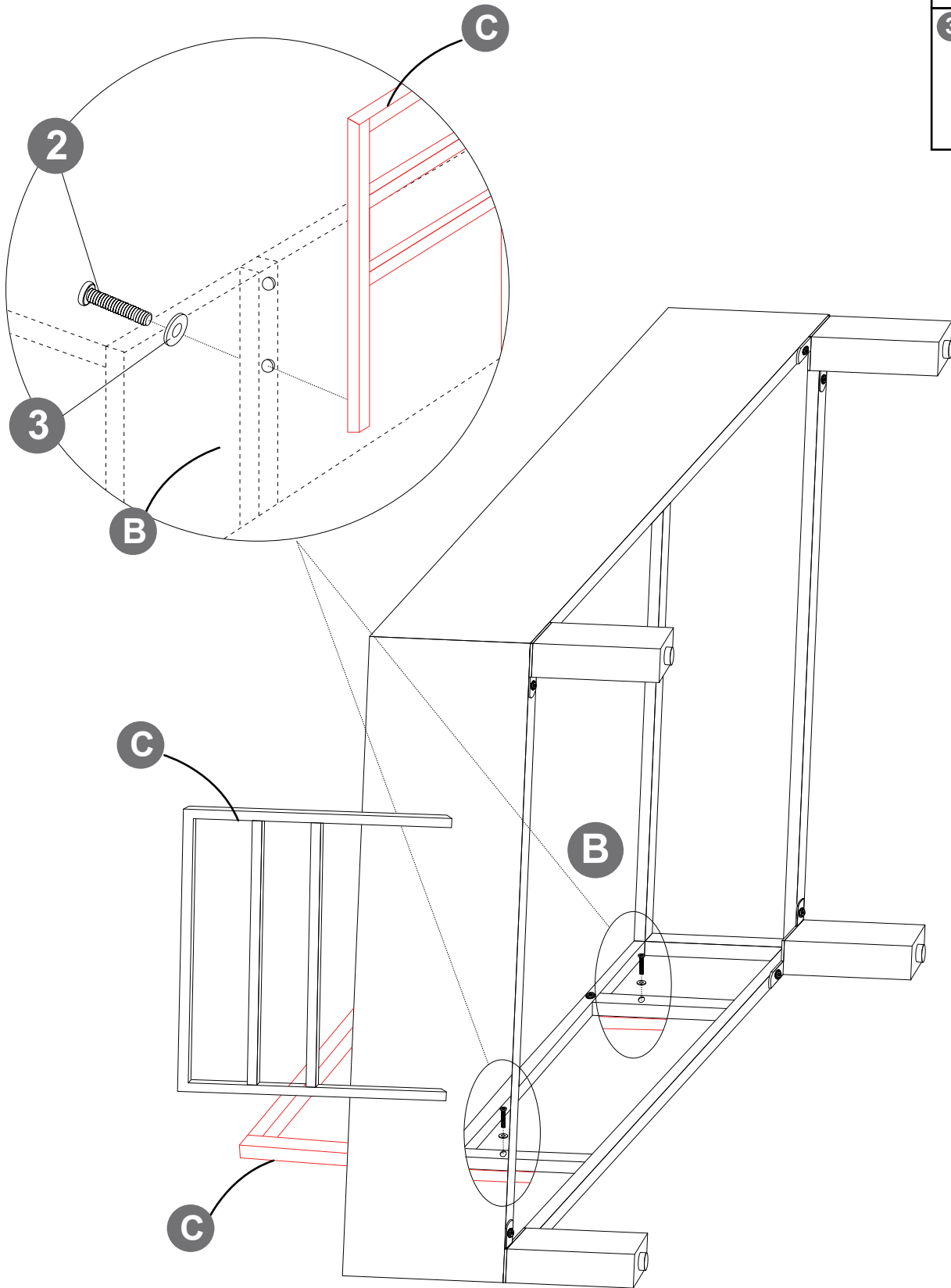
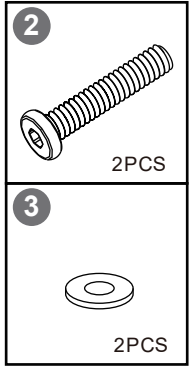
Rotate the product to find a new hole position and repeat the previous step.



STEP

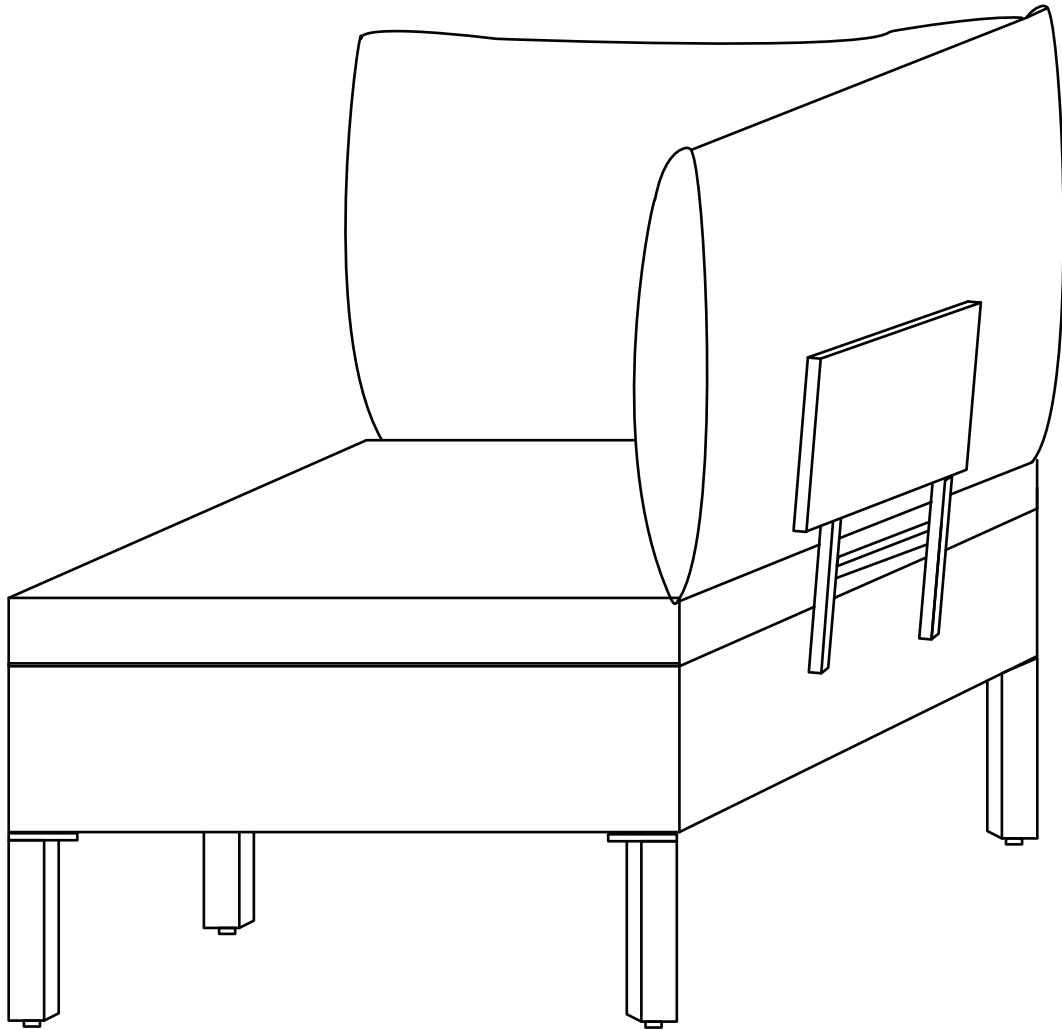
10

Tighten screws 40% and all screws when finished.

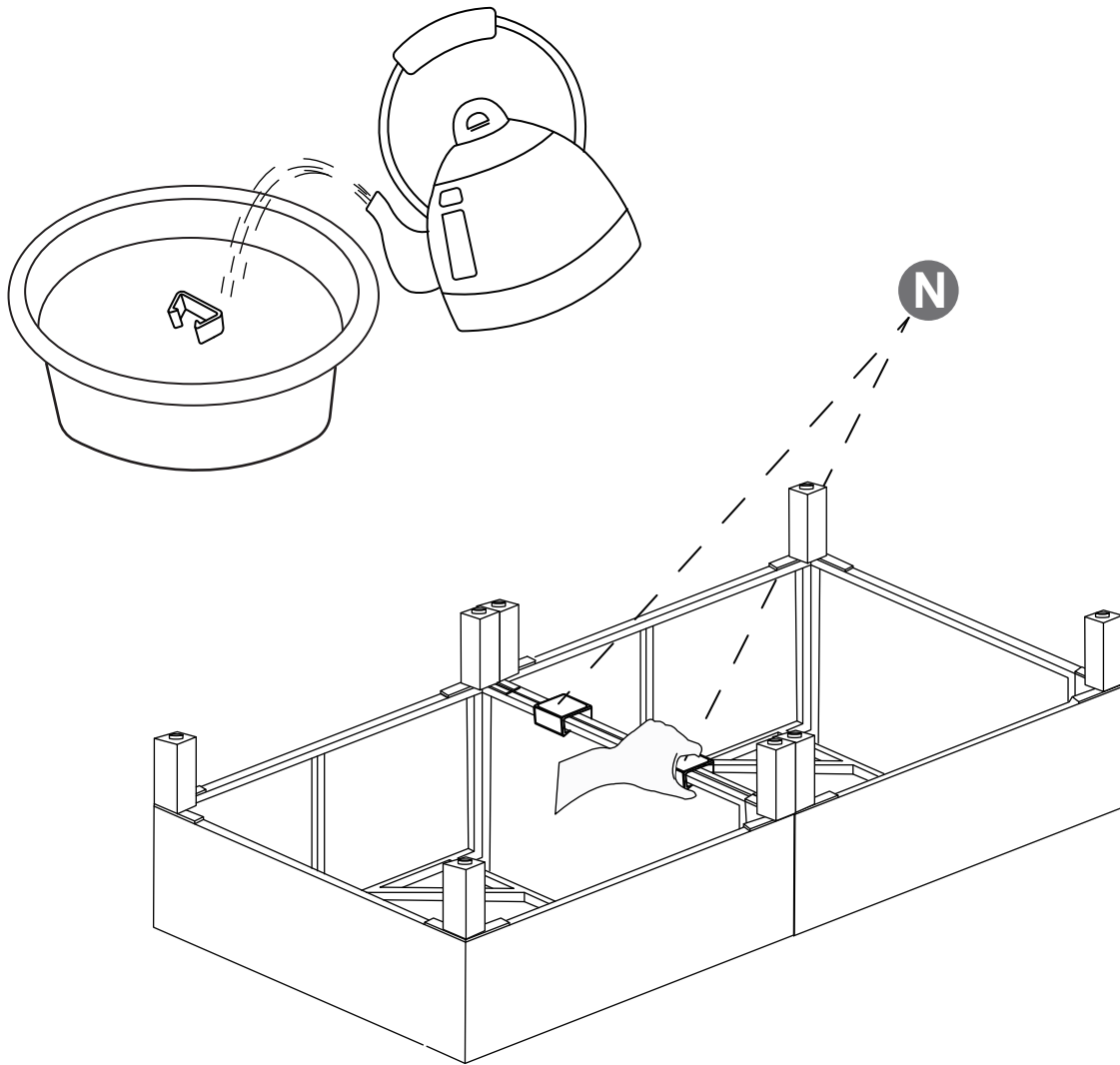


STEP

Completing the Installation



STEP



TIPS

1. In order to increase the toughness of the sofa fixed buckle, please soak it in hot water for 10 minutes before use.
2. When in use, first to snap one side of the buckle into the metal frame, and then force the other side into all the frame.
3. You can freely to make a variety of combinations using the above methods.

AFTER-SALE SERVICE

If you have any suggestions for our products or find that the products have quality problems, please contact us first, our after-sales team will reply you within 24 hours, and we will do our best to give you solutions until you are satisfied.

Guaranteed Customer Service

Your shopping experience is very important to us!
Feel unsatisfied? **Contact us!**
Have any questions? **Contact us!**

Wanna Share how wonderful our smart promakes your home?
Share your pictures with us.
Any suggestions? **Contact us!**
We gotcha back!



Patiofurniture Serviceteam@outlook.com

