



LIGHT SOURCE DATA

- 40W Max E27 ES (required)
- Lamp direction - Indirect
- Lamp shape - Standard
- Non-dimmable
- Energy range: A++, A+, A, B, C, D, E

DIMENSION DATA

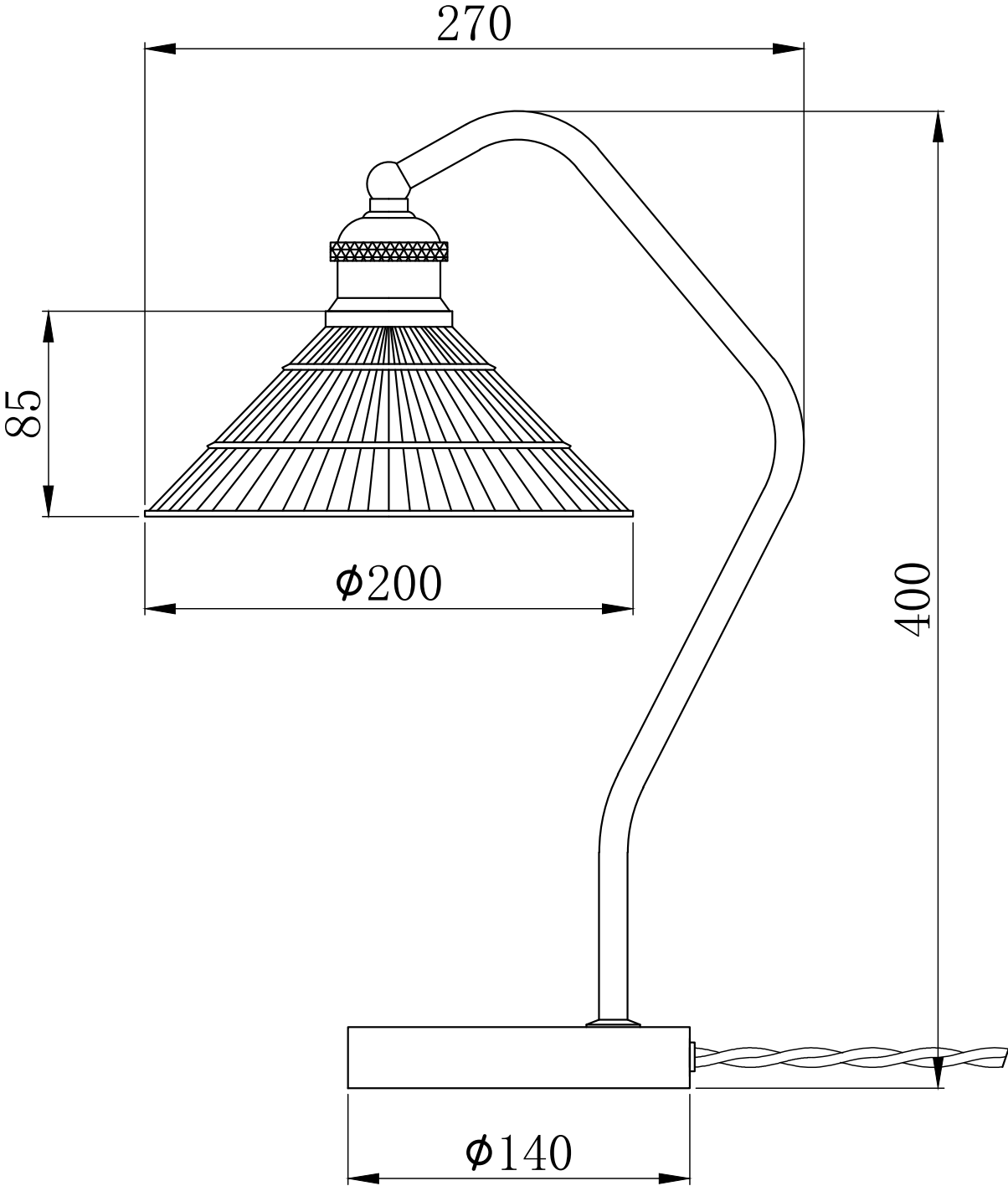
- Height 400mm
- Width 270mm
- Depth 200mm
- Weight 1.21kg

SPECIFICATION

- Manufacturer warranty for 2 years from date of purchase
- Matt black paint with satin nickel plate detail and clear ribbed glass
- IP20
- In-line On/Off Switch
- Class II - Double Insulated, No Earth
- 240V
- Assembly required? No
- CE Marking, Energy Efficient, Energy Saving

CERTIFICATION





CERTIFICATION

