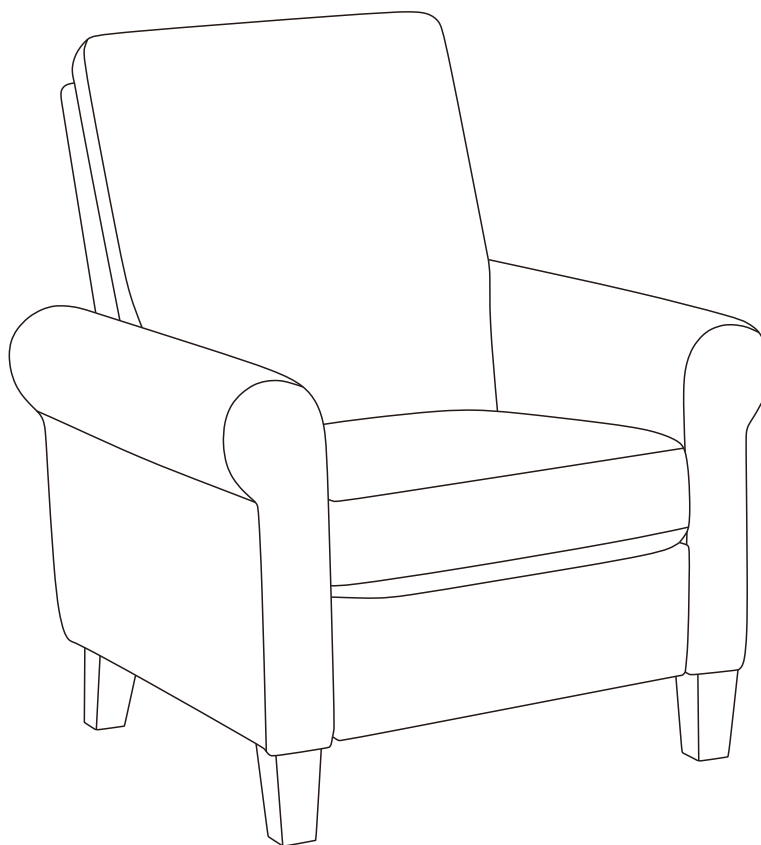


## Assembly Manual

### Manual Recliner

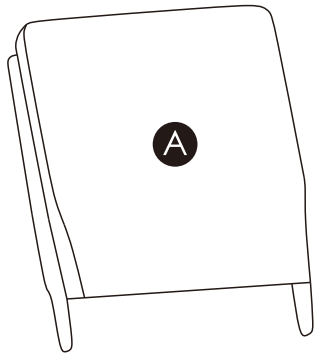


#### **CAUTION**

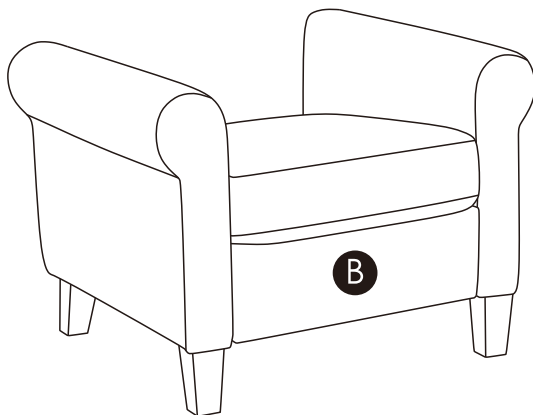
THIS ASSEMBLY MANUAL CONTAINS IMPORTANT SAFETY INFORMATION.

PLEASE READ AND KEEP FOR FUTURE REFERENCE.

## COMPONENTS



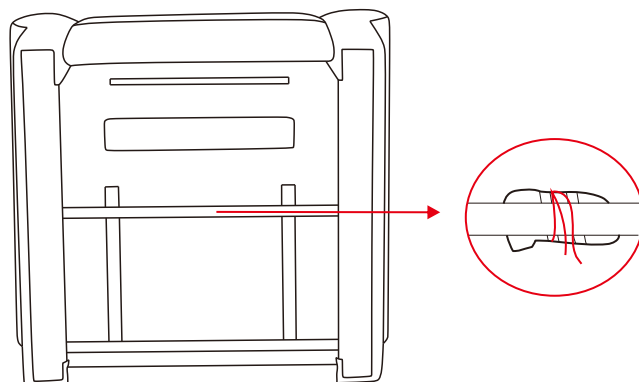
**A** Chair Back  
1X



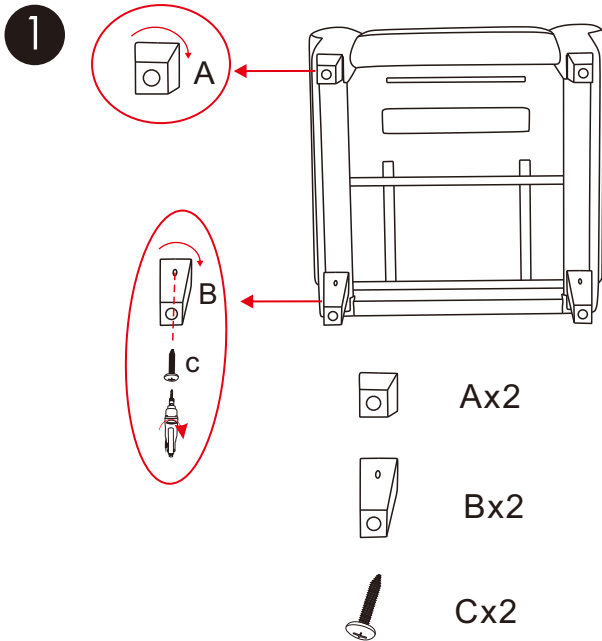
**B** Chair Base  
1X

## WARNING

Find a red protector at the chair base bottom, remove it before using.

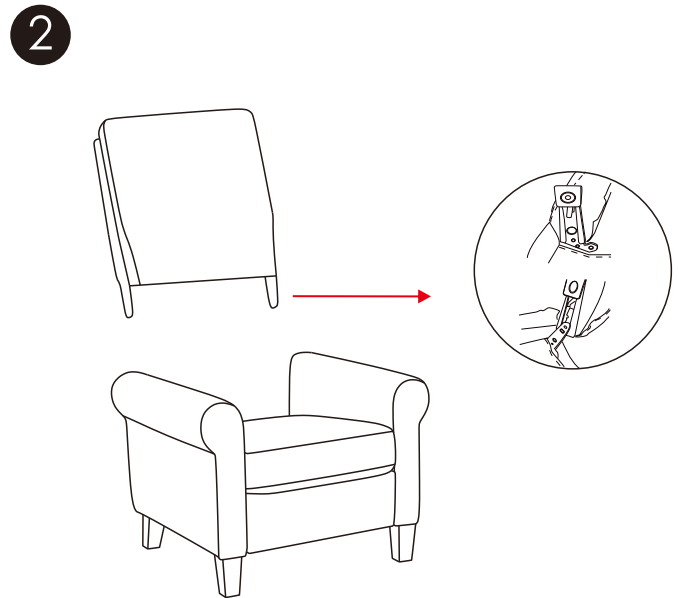


## ASSEMBLY INSTRUCTIONS



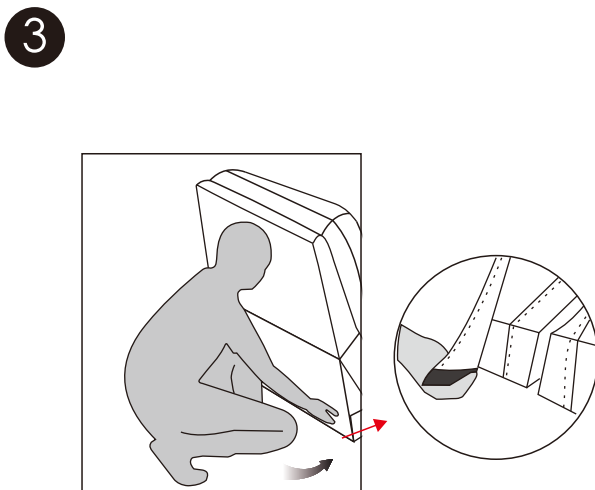
Lay the chair on its back on a clean, flat surface.

Align wooden leg (A) with two front predrilled holes; secure wooden leg (B) using screw (C) with a screwdriver.



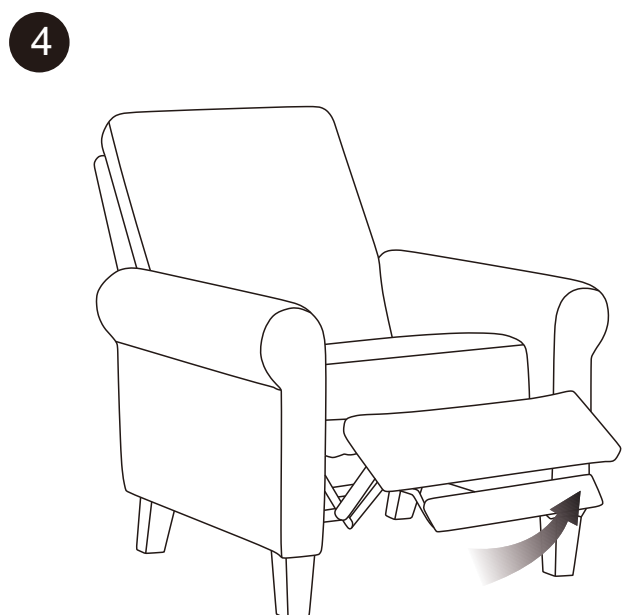
Stand the chair upright.

Push down firmly on seat back to lock its connector.



Locate the Velcro strip at the bottom of the backrest fabric.

Firmly press the Velcro onto the matching strip underneath the seat frame.



Gently lean back on the backrest to activate the reclining function and extend the footrest.

## **PRODUCT WARRANTY**

1-year limited on leather against splitting, peeling, and/or tearing.

1-year limited on internal and external frame structure.

1-year limited on cushioning material, seat springs and mechanism.

## **CARE & MAINTENANCE**

Periodic dusting will prolong the life of your leather.

General cleaning can be done with a damp, clean, soft white cloth.

Periodically, a mild leather cleaner can be used on the headrests and armrests. This will help prevent buildup of body and hair oils which can harm the leather over time.

For more stubborn stains, a mild leather cleaner can be used or consult a professional leather technician.