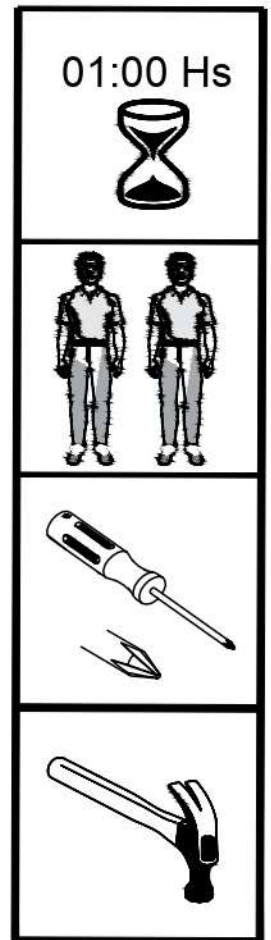
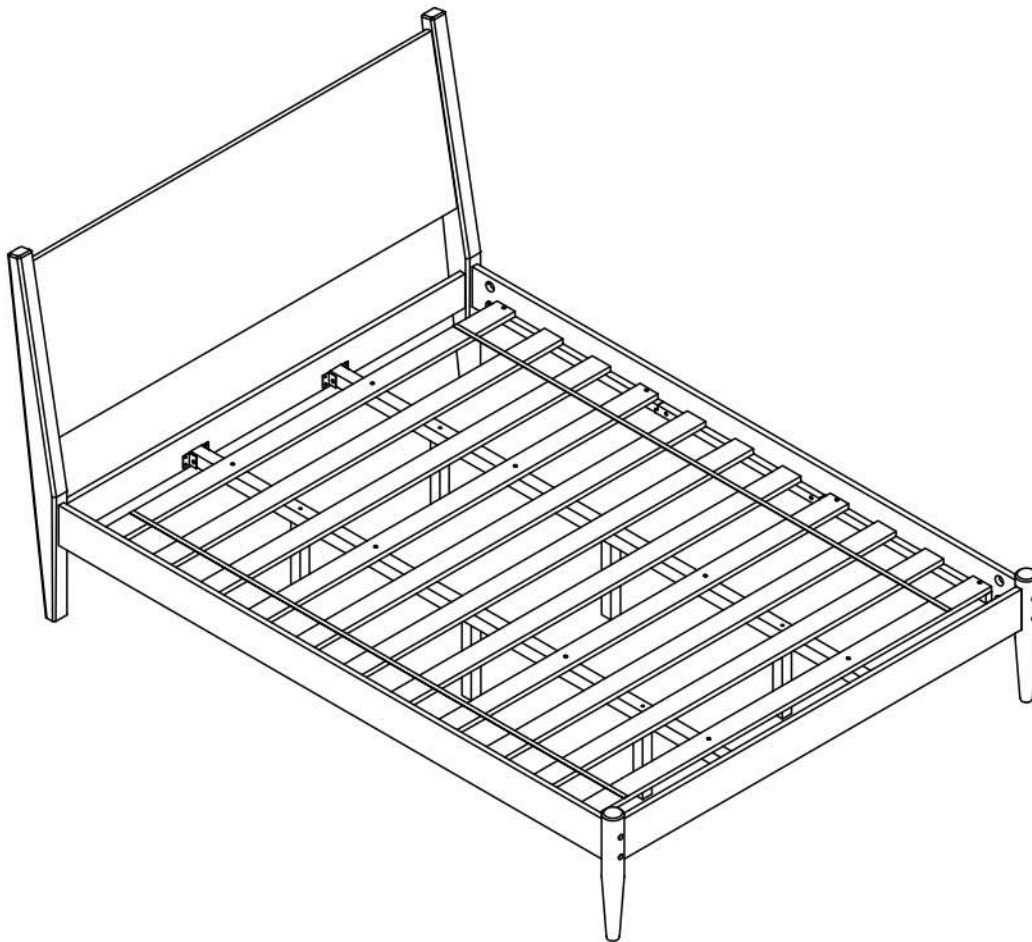


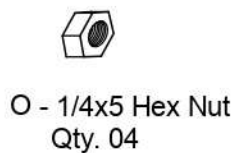
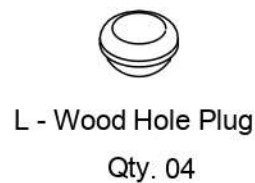
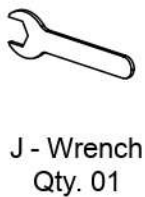
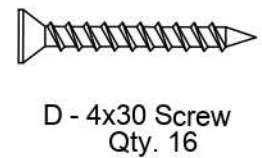
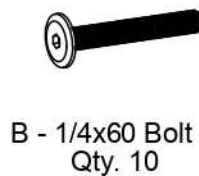
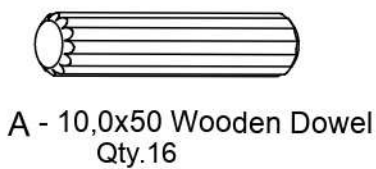


ASSEMBLY INSTRUCTIONS

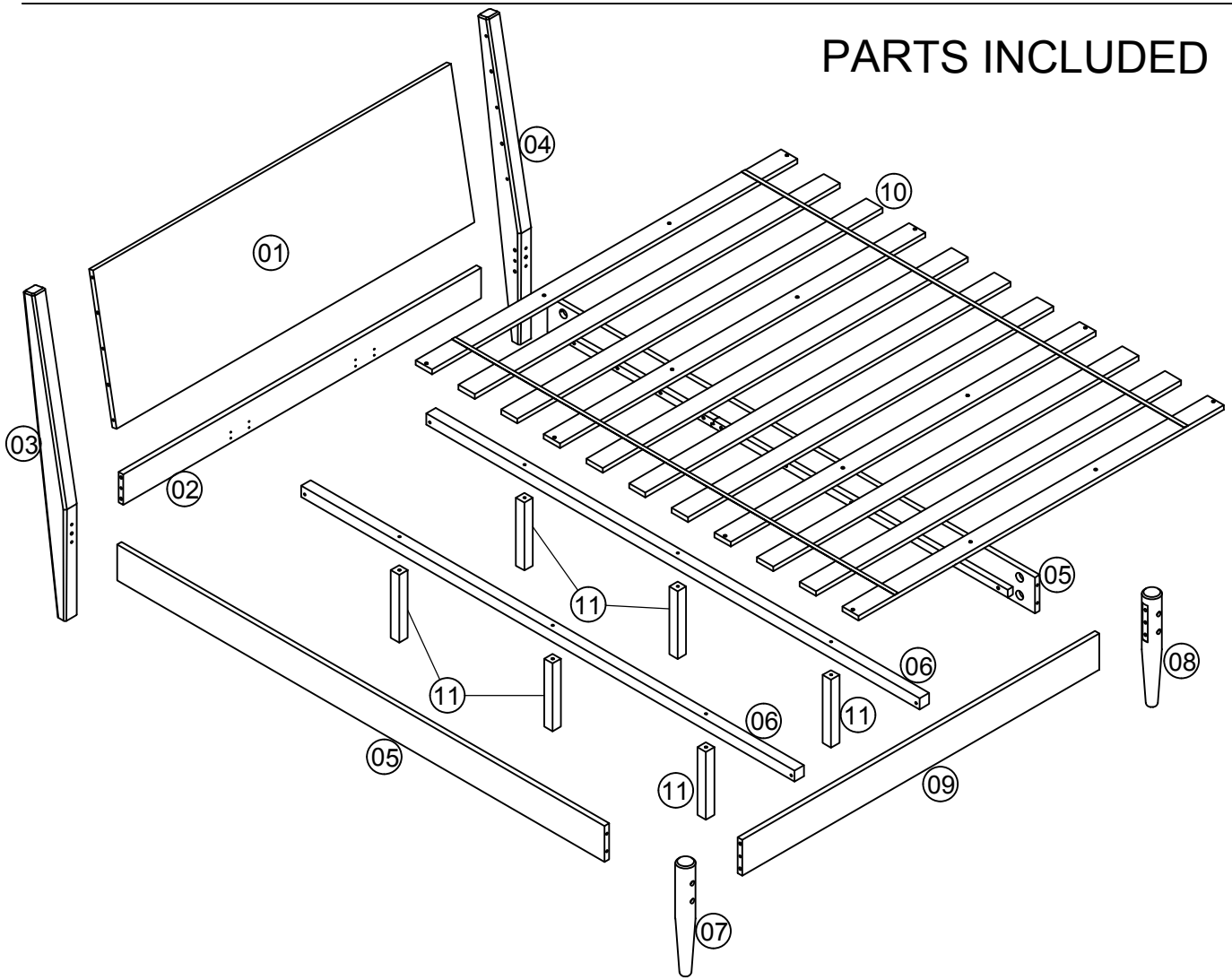
MID-CENTURY PANEL BED-QUEEN SIZE



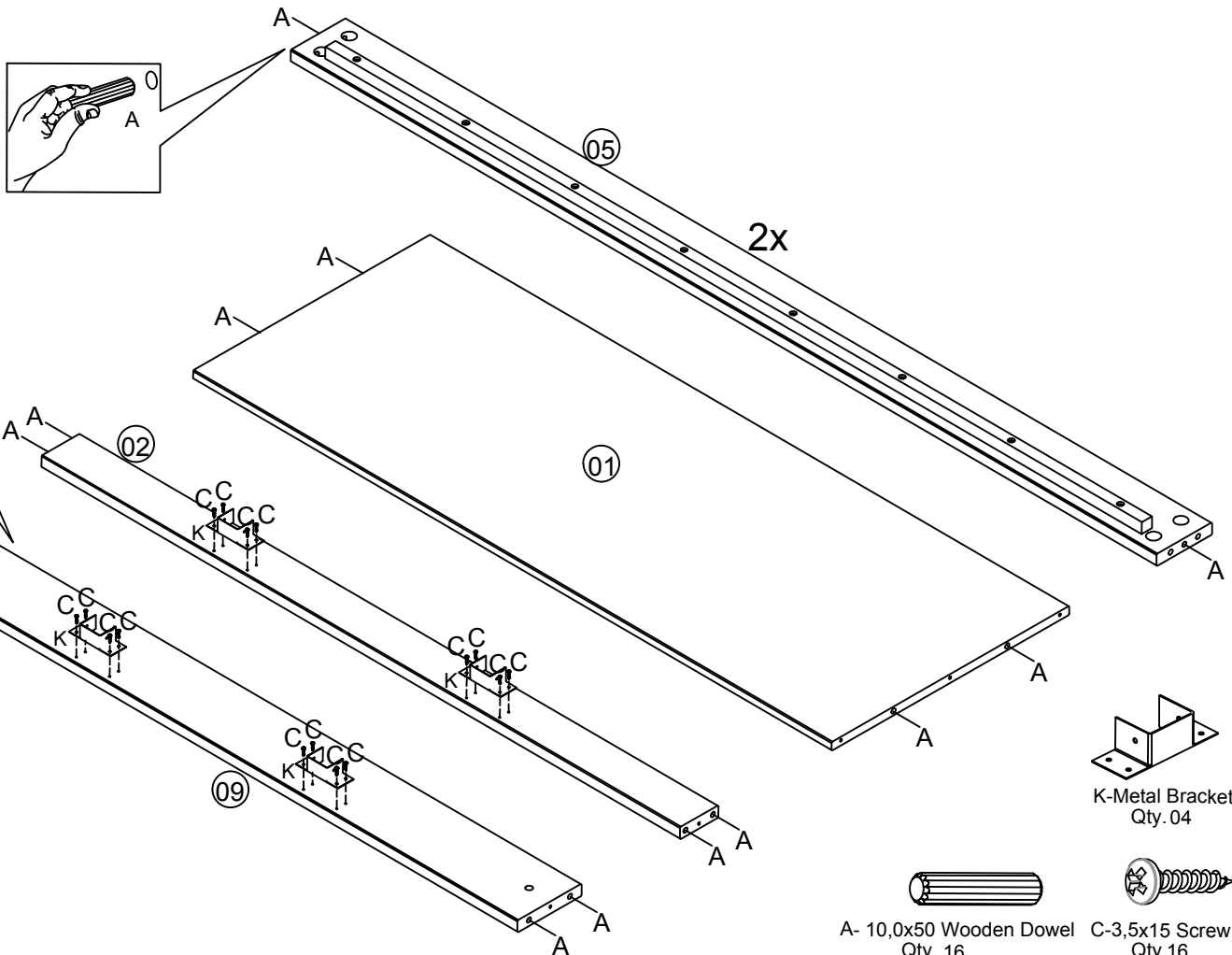
HARDWARE INCLUDED



PARTS INCLUDED



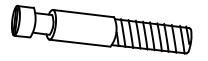
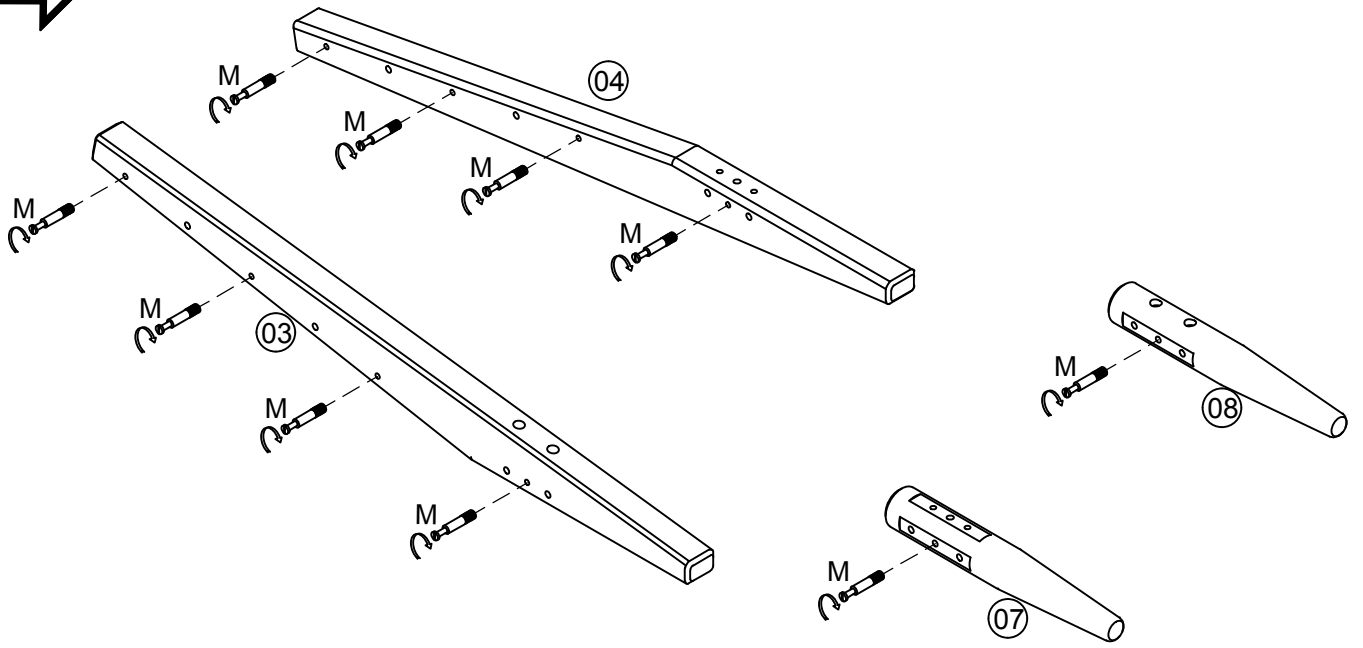
STEP 1



K-Metal Bracket
Qty. 04

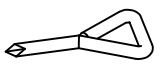
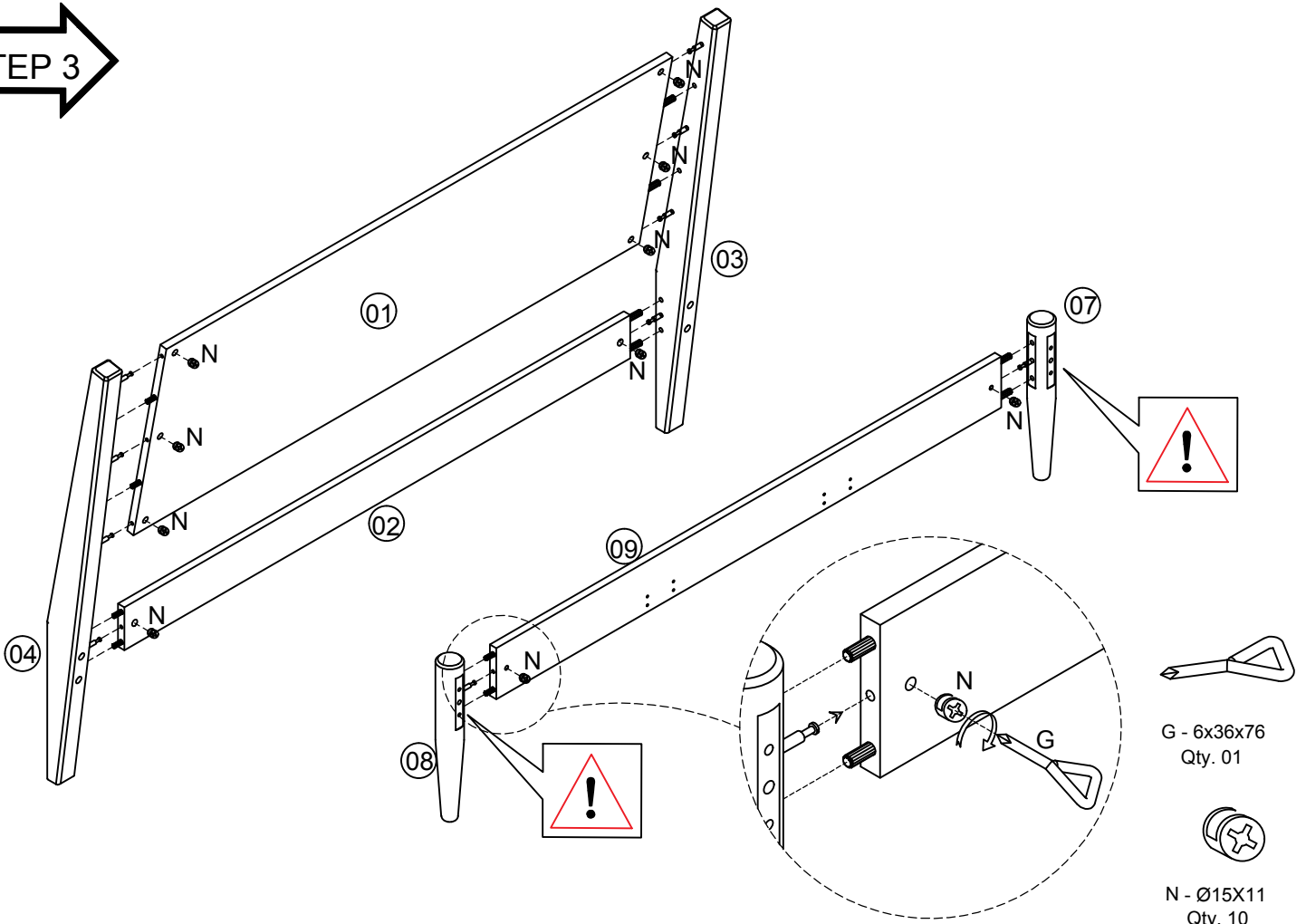
A- 10,0x50 Wooden Dowel Qty. 16
C-3,5x15 Screw Qty. 16

STEP 2



M - M6X41
Qty. 10

STEP 3

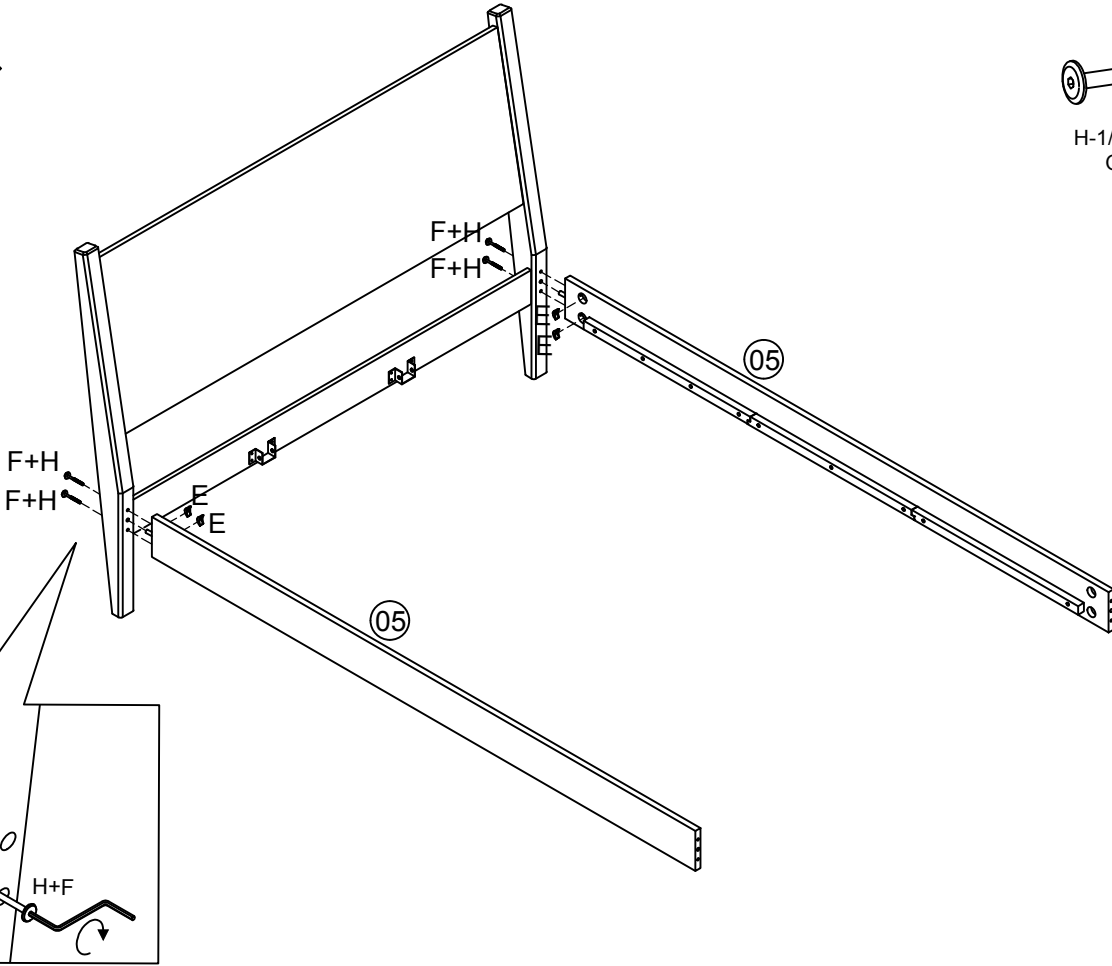


G - 6x36x76
Qty. 01



N - Ø15X11
Qty. 10

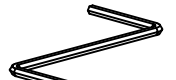
STEP 4



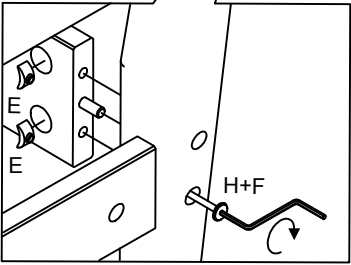
H-1/4x95 Bolt
Qty. 04



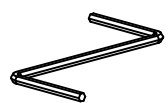
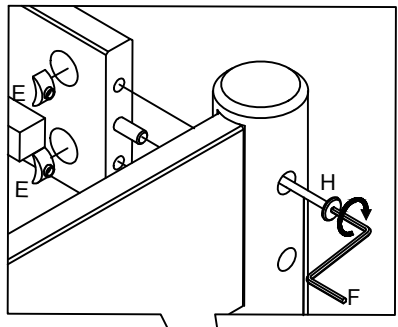
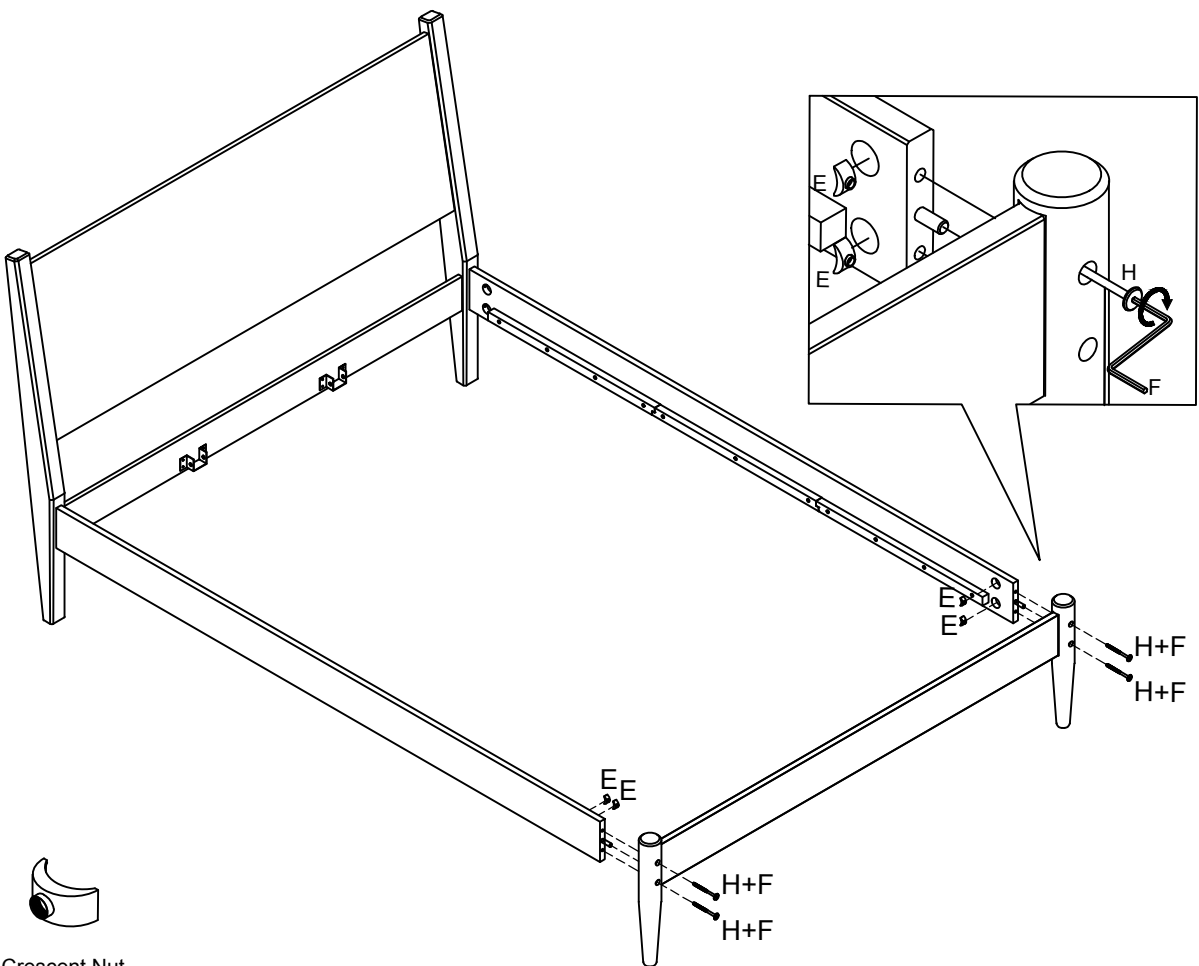
E -Crescent Nut
Qty. 04



F -Allen Key
Qty. 01



STEP 5



F -Allen Key
Qty. 01

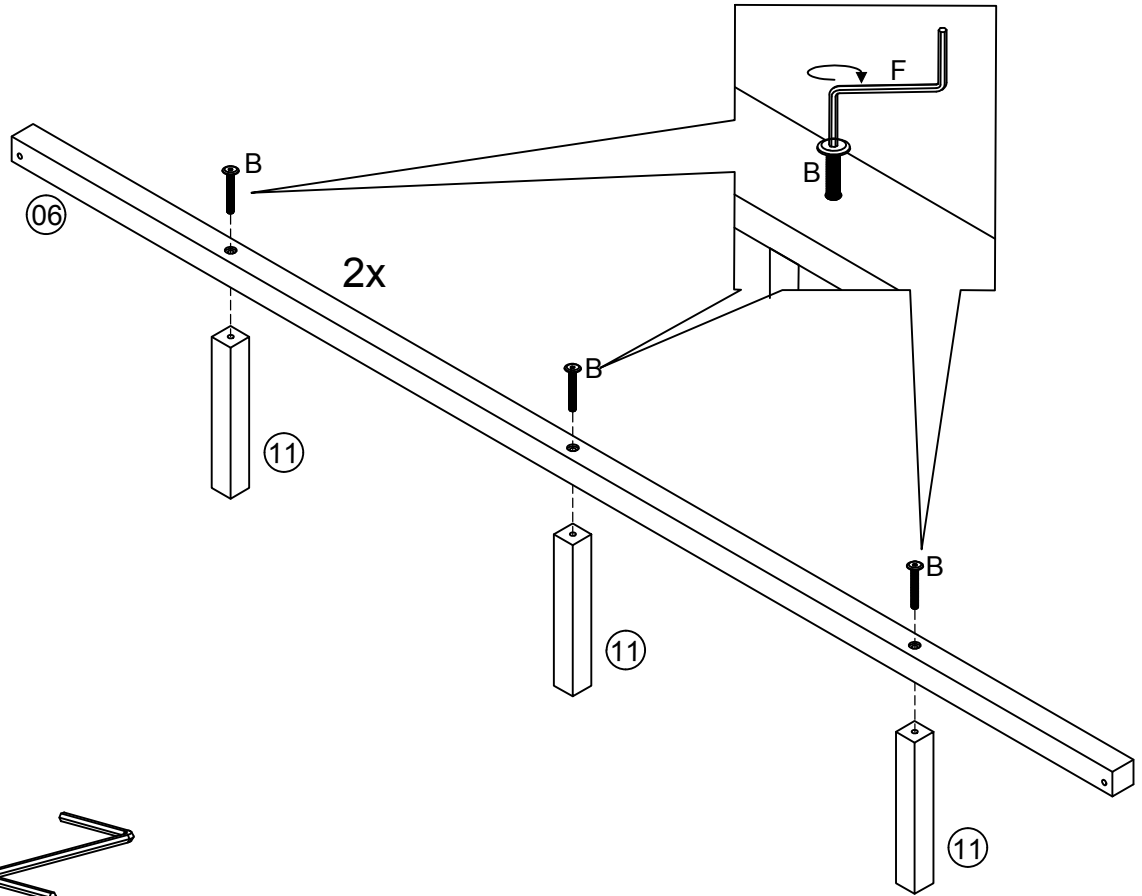


H-1/4x95 Bolt
Qty. 04



E -Crescent Nut
Qty. 04

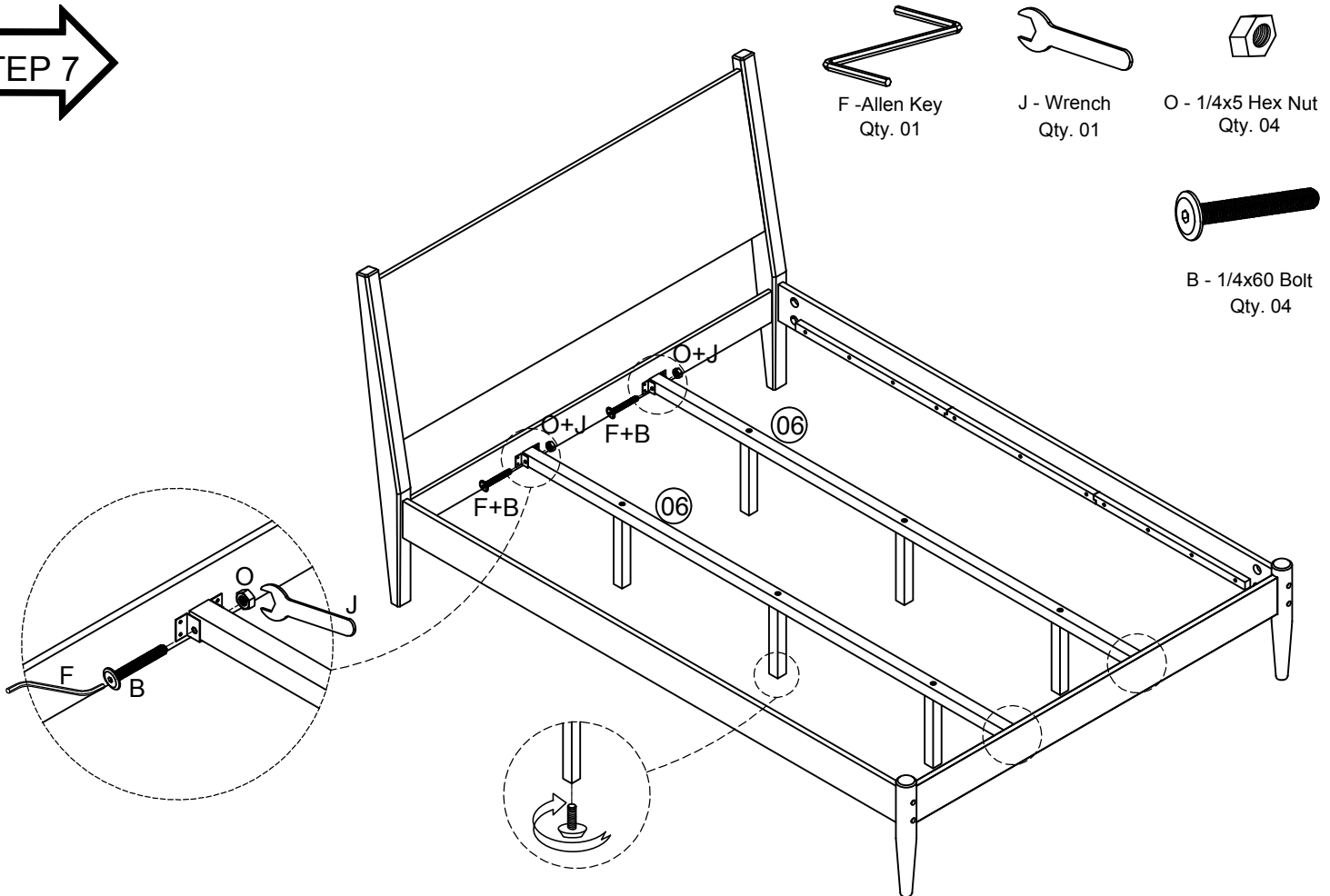
STEP 6



B - 1/4x60 Bolt
Qty. 06

F - Allen Key
Qty. 01

STEP 7



F - Allen Key
Qty. 01

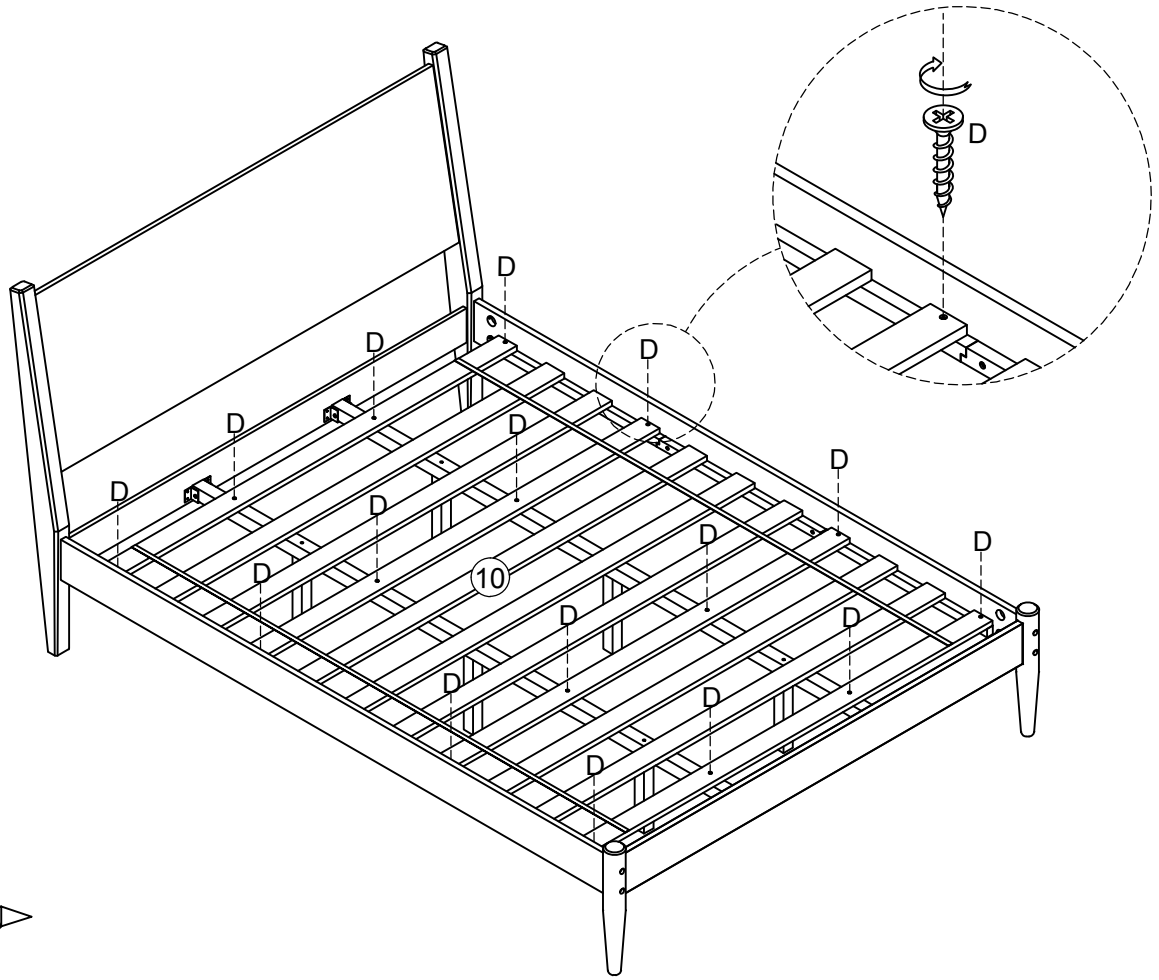
J - Wrench
Qty. 01

O - 1/4x5 Hex Nut
Qty. 04

B - 1/4x60 Bolt
Qty. 04

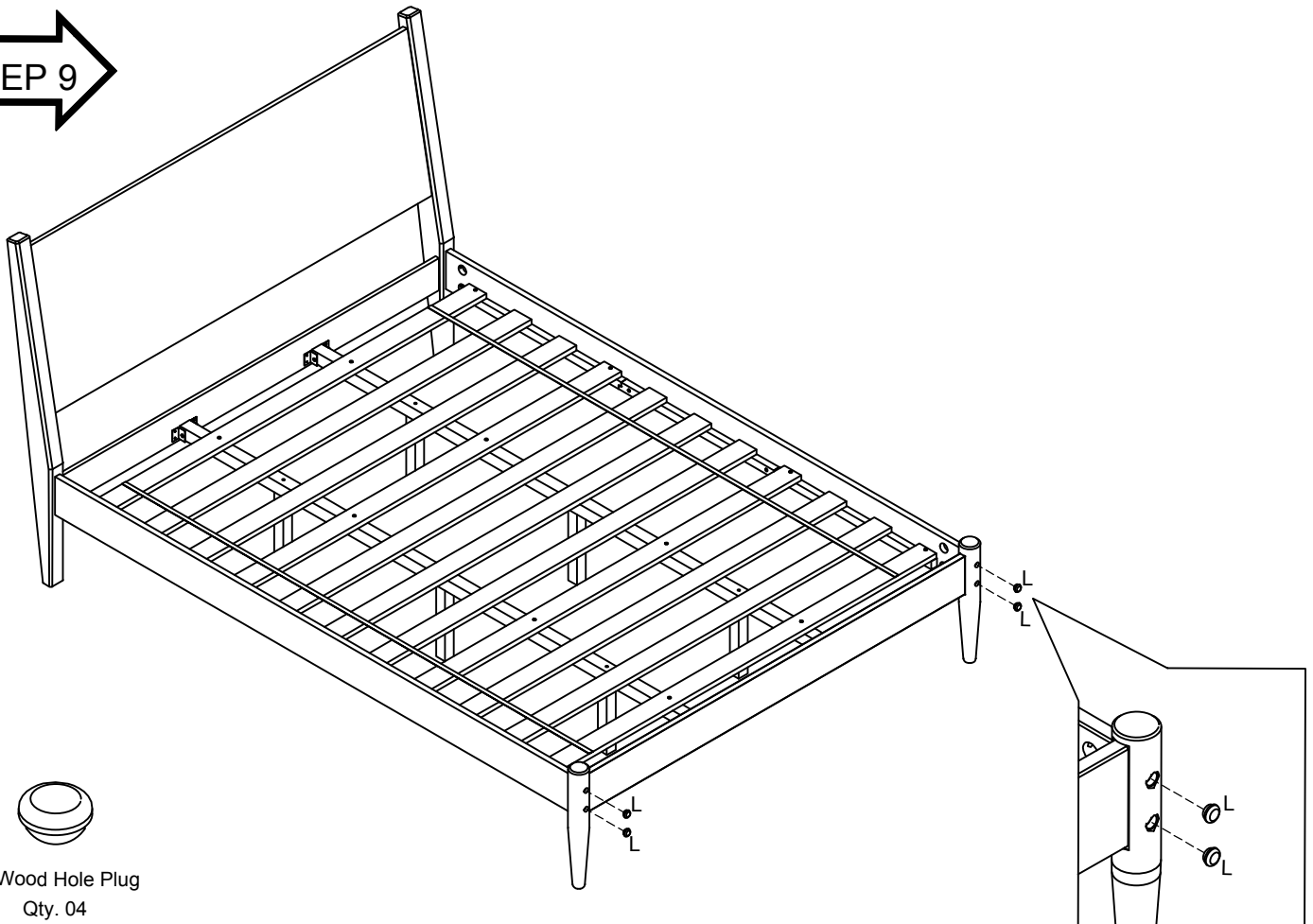
Adjust the leveler to ensure balance.

STEP 8



D - 4x30 Screw
Qty. 16

STEP 9



L - Wood Hole Plug
Qty. 04