

■ Accent Chair

ASSEMBLY
INSTRUCTION



Dear customer, Thank you very much for buying our items. Please read the assembly instruction carefully before assembly.

Notices:

- Verify that all parts are present and in good condition before assembly.
- Put the accent chair on a clean flat surface.
- Please tighten the screws to about 80% for the first step; Then, sit on the chair to adjust the balance; Finally, tighten all the screws to 100%.
- If you find that is unlevel after assembly, you can use adjustable pegs to keep four legs level.

Contact us

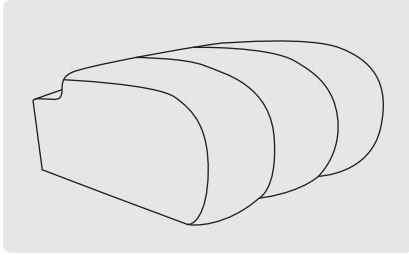
If there are installation problems, damage, missing parts, or any questions and concerns, please contact the shop where you bought it so we can make things right.

If the product is damaged, please send the following Information:

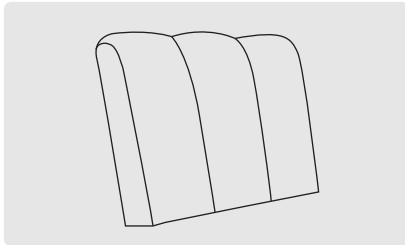
- Photos that show the reason for your claim/damage.
- Photos of the packaging (inside and outside).

Thank you very much for your support!

Package Contents

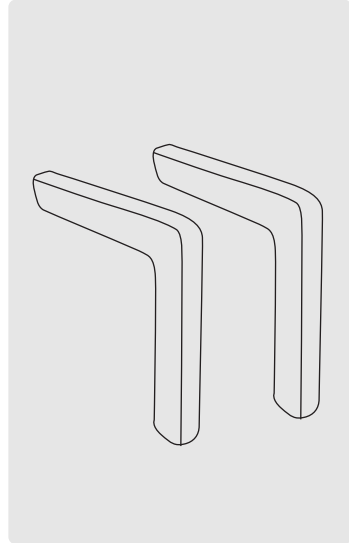


Cushion

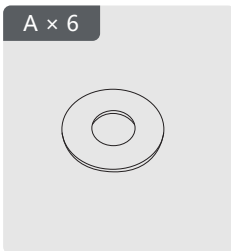


Back

The backrest is inside the seat cushion

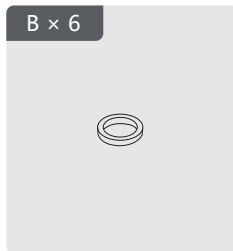


Legs



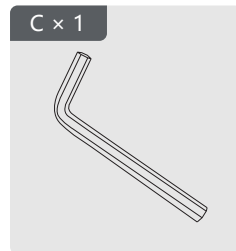
A × 6

φ8
Washer



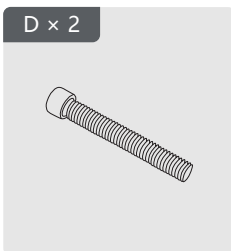
B × 6

φ8
Spring Washer



C × 1

φ8
Spanner



D × 2

M8x60mm
Screws

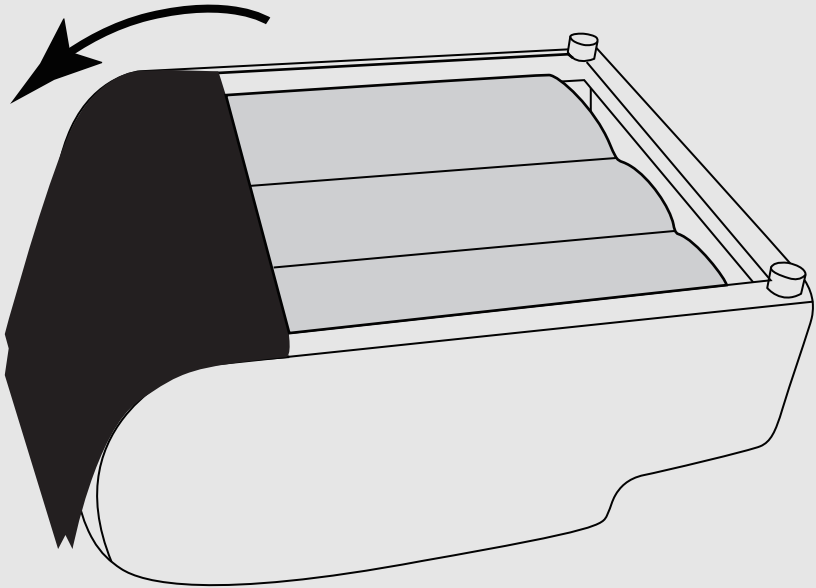


E × 4

M8x75mm
Screws

1

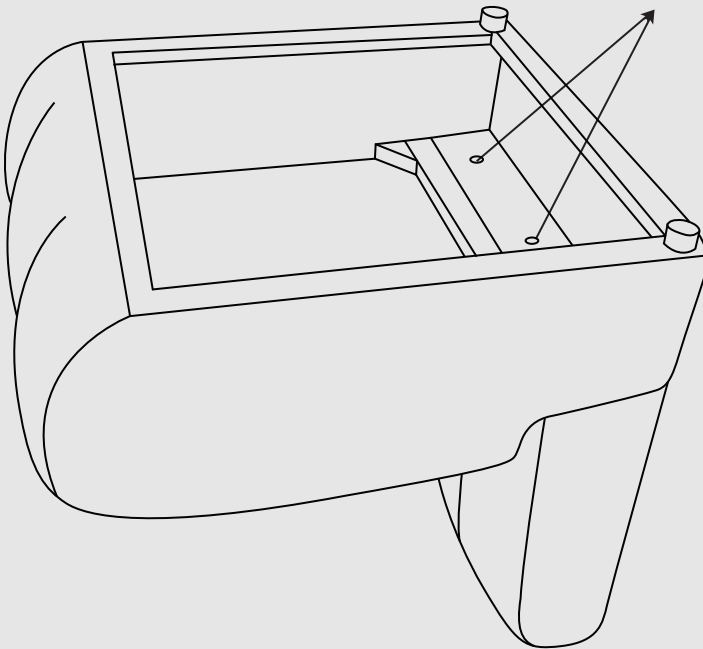
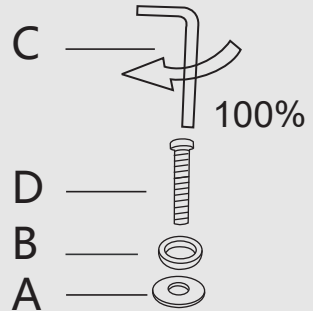
**NOTICE: THE BACKREST IS
PLACED UNDER THE SEAT.**



Take out the cushion after opening the outer box, then remove the non-woven fabric under the cushion to find the backrest.

Step by Step Guide

2



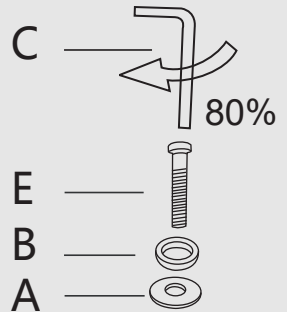
Remove the non-woven fabric at the bottom of the seat cushion.

Align the center holes of the seat by using the screw (D) with washers (#A, B).

Tighten them up to 100%.

Step by Step Guide

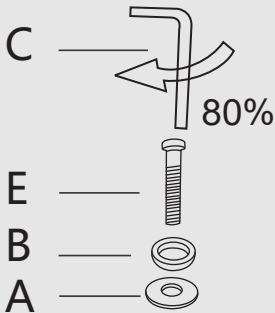
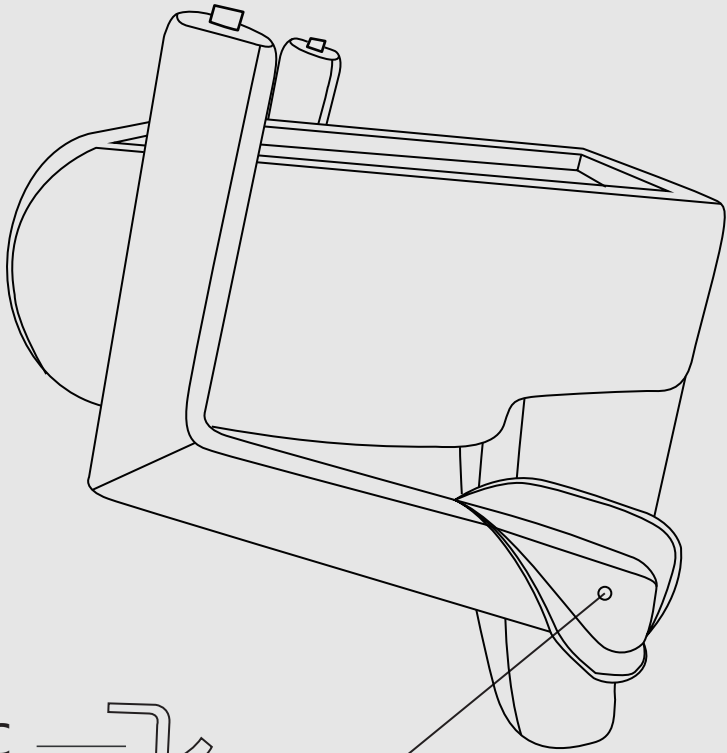
3



Align the holes of the chair legs from the inside out by using the screw (E) with washers (#A, B). Just tighten them up to 60-80%.

Step by Step Guide

4

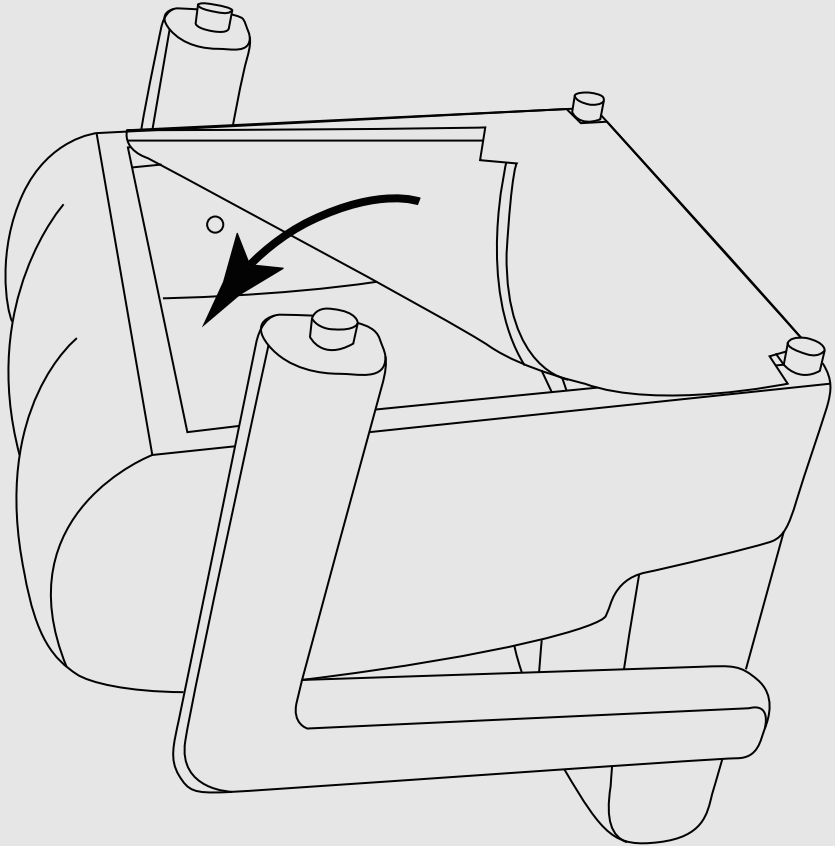


Unzip the zipper of the armrest and align the holes of the armrest by using the screw (E) with washers (#A, B).

Just tighten them up to 60-80%.

Step by Step Guide

5



Close the zipper and paste the non-woven fabric.