

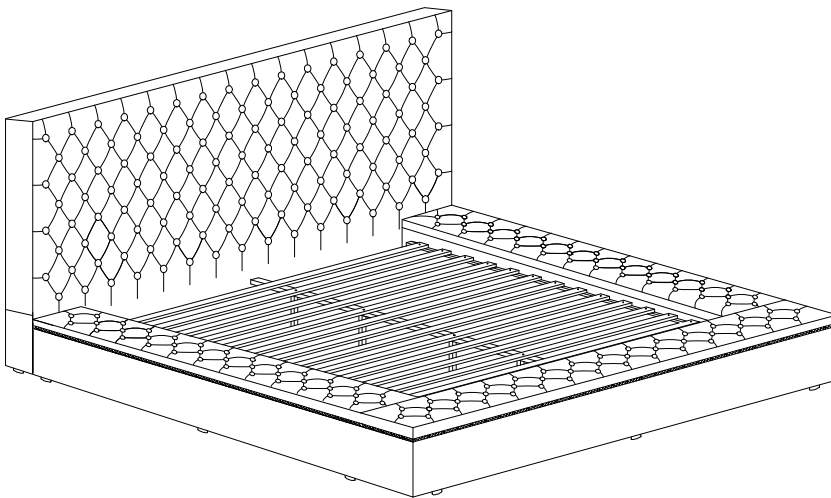
ASSEMBLY INSTRUCTIONS

MODEL #

CM7895Q

Questions?

GIVE US A CALL: 1-888-980-5122
MON-FRI 8:30AM - 5:30PM (PT)



TOOLS REQUIRED



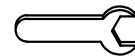
Allen Wrench

(Included)



Phillips Screwdriver

(Not Included)



Wrench

(Included)



2 - People

Recommended

ASSEMBLY RATING



EASY ————— DIFFICULT

The Assembly Rating is a 5-point system showing the level of effort needed to assemble a specific product.



FOA Intro

Thank you for your purchase!

We hope you enjoy this new addition to your home for many years to come.

Our commitment to providing quality products does not simply end when you purchase our product. We fully stand behind our products from start to finish. Our customer service department is available Monday – Friday 8:30 AM – 5:30 PM Pacific Time and can help with assembly questions as well as, if necessary, replacing damaged or missing parts. To help expedite our service, please have these assembly instructions readily available, along with your order receipt.

 **Consumer Hotline**
Toll-Free 1-888-980-5122

 **Monday to Friday**
8:30AM- 5:30PM (PT)

 **WEBSITE**
www.foagroup.com

 **E-MAIL**
cs.ec@foagroup.com

    foagroup

 FurnitureOfAmerica

CHECK BEFORE STARTING

Are you missing anything?
Double-check all parts, hardware and accessories listed are all accounted for.

Check out our Quick Tips!
We recommend reviewing the pre-assembly handouts. Even experts need a refresher now and then!

Should we send any replacements?
Are there any irregularities or flaws in the parts? We can send replacements!

Prep Time!
Please review the assembly instructions and all diagrams prior to assembling.

PRE ASSEMBLY INTRODUCTION

We understand building ready-to-assemble furniture can be a challenging experience for some. To help avoid confusion, we have provided some helpful tips that may speed up the process.



Teamwork

ALWAYS have at least two people to help with transporting and assembling the product to avoid potential injury and/or damage.



Suitable Location

Assembling near the area of the intended location is highly recommended.



Sufficient Space

Make sure you have enough space to move around during the assembly.



Avoid Scratches

Use cardboard, blankets or a carpeted area while assembling furniture to prevent to prevent scratches and damages.



Flat Surface

Make sure the furniture rests on a flat and level surface with each leg evenly touching the floor.

ASSEMBLY AND CARE ADVICE



FAILURE TO FOLLOW THE GUIDELINES BELOW MAY RESULT IN INJURY AND/OR PROPERTY DAMAGE.



Position each part correctly and insert screws or bolts into their respective holes.



Turn clockwise to tighten and only tighten when step is completed or when instructed to do so.



Use the appropriate hand tools or power tools for assembly. Select steps, such as tightening screws and/or bolts, may require hand tools to avoid causing damage during assembly.



Save the instructions and store any supplied tools for later maintenance.



After two weeks, check and tighten any loose hardware and repeat again every six months thereafter.

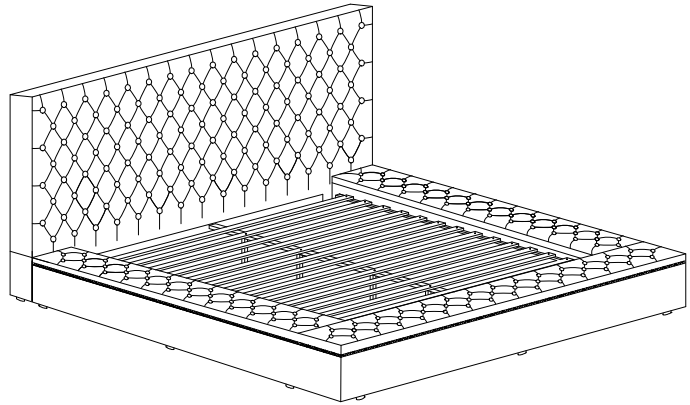
IT IS THE USER'S RESPONSIBILITY TO MAINTAIN THE FURNITURE. THE HARDWARE MAY LOOSEN OVER TIME AND MAY CAUSE THE FURNITURE TO BE WOBBLY AND UNABLE TO SUPPORT ITS INTENDED WEIGHT CAPACITY. THIS MAY LEAD TO COLLAPSE AND MAY CAUSE SERIOUS INJURY.

BED

CM7895Q

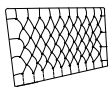


• Please keep instructions for future reference.
 • Check the quantity and irregularity of parts and hardware before you start.



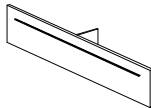
PARTS

#1 1pc



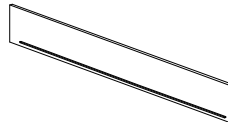
Headboard

#2 2pcs



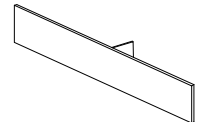
Side Rail Panel(L&R)

#3 1pc



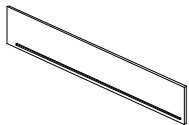
FB Panel w/ Fabric

#4 1pc



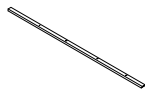
FB Panel

#5 2pcs



Side Rail Panel W/ Fabric(L&R)

#6 1pc



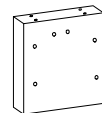
Center Support Rail

#7 4pcs



Support Leg

#8 2pcs



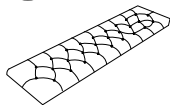
HB Leg(L&R)

#9 2pcs



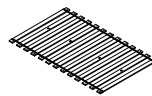
Side Rail Top Panel

#10 1pc



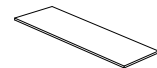
FB Top Panel

#11 1set



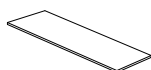
Slat (12pcs)

#12 2pcs



Side Rail Long Bottom Panel

#13 2pcs



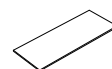
Side Rail Short Bottom Panel

#14 1pc



FB Long Bottom Panel

#15 1pc



FB Short Bottom Panel

HARDWARE

#A 32pcs



Bolt
Ø5/16" x 5/8"

#B 8pcs



Bolt
Ø5/16" x 1"

#C 32pcs



Bolt
Ø1/4" x 5/8"

#D 4pcs



Bolt
Ø1/4" x 1"

#E 8pcs



Threaded Stud
Ø5/16" x 3-1/8"

#F 8pcs



Hex Nut Ø5/16"

#G 40pcs



Flat Washer
19mm

#H 8pcs



Flat Washer
22mm

#I 36pcs



Flat Washer
16mm

#J 48pcs



Lock Washer
Ø5/16"

#K 36pcs



Lock Washer
Ø1/4"

#L 24pcs



Screw
#8x38mm

#M 18pcs



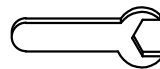
Screw
#8x25mm

#N 18pcs



Screw
#8x15mm

#O 1pc



Wrench

#P 1pc



Allen Wrench 5mm

#Q 1pc



Allen Wrench
4mm

#R 4pcs



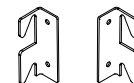
Hinges(L)

#S 5pcs



Hinges(R)

#T 10pcs



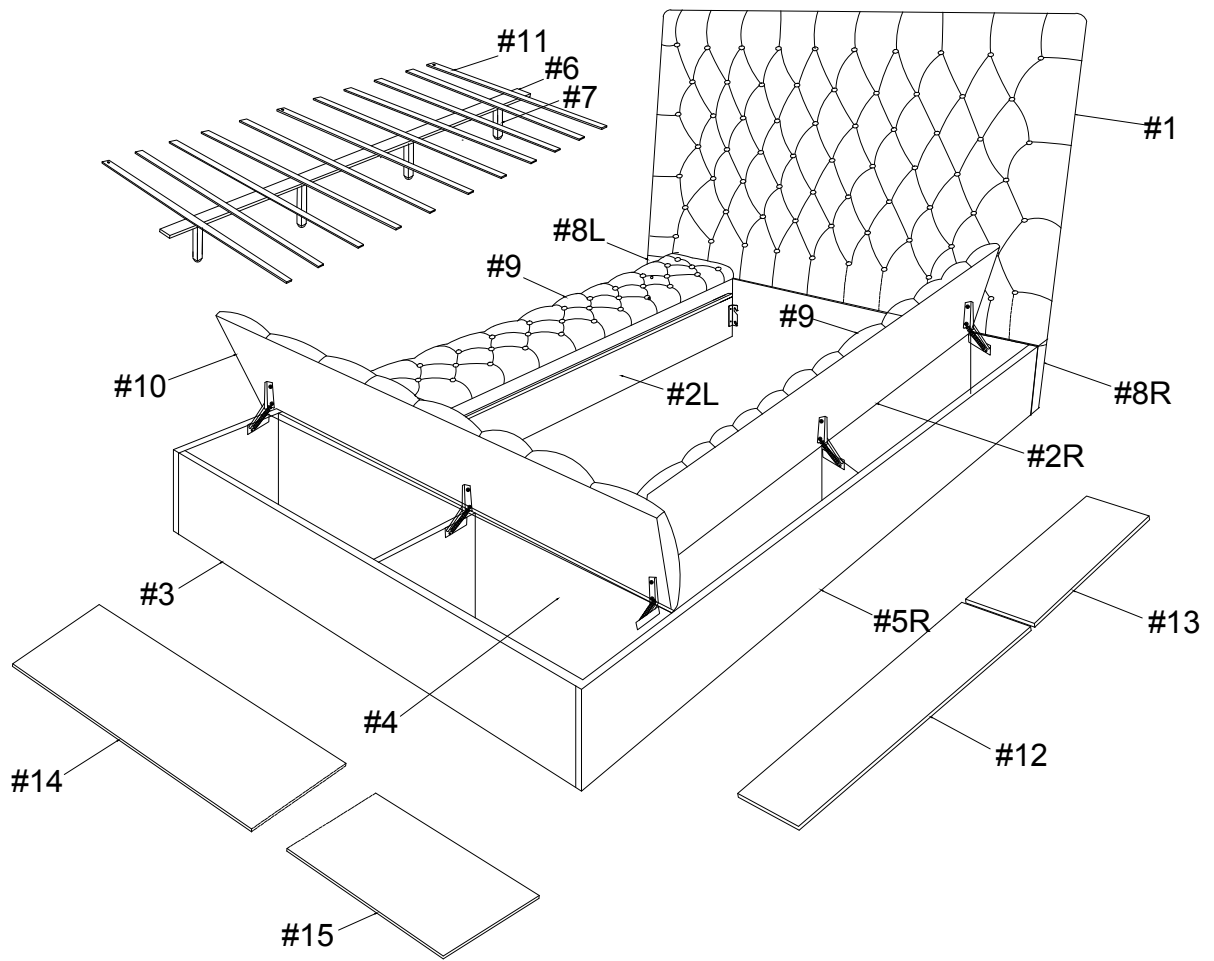
Connection
Strap (L&R)

#U 18pcs

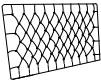
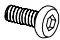



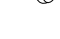









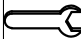


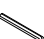




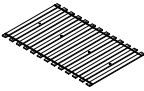
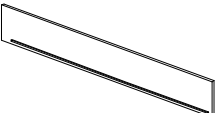
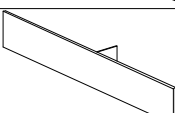


Plastic Feet

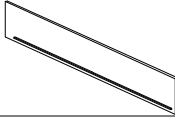
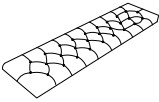
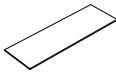
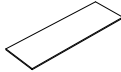

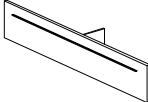
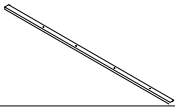
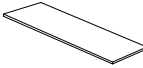
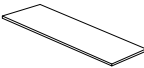
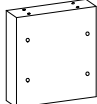
Exploded View



CM7895-Q is packed in 4 cases

Carton	Disignation		Part	Hardware
CM7895-Q-1	Headboard	#1		 #A x 32pcs  #B x 8pcs  #C x 32pcs  #D x 4pcs  #E x 8pcs  #F x 8pcs  #G x 40pcs  #H x 8pcs  #I x 36pcs  #J x 48pcs  #K x 36pcs  #L x 24pcs  #M x 18pcs  #N x 18pcs  #O x 1pc
	Support Leg(4pcs)	#7		 #P x 1pc  #Q x 1pc  #R x 4pcs  #S x 5pcs  #T x 10pcs  #U x 18pcs
	Slat(12pcs)	#11		
CM7895Q-2	FB Panel w/ Fabric	#3		
	FB Panel	#4		

CM7895-Q is packed in 4 cases

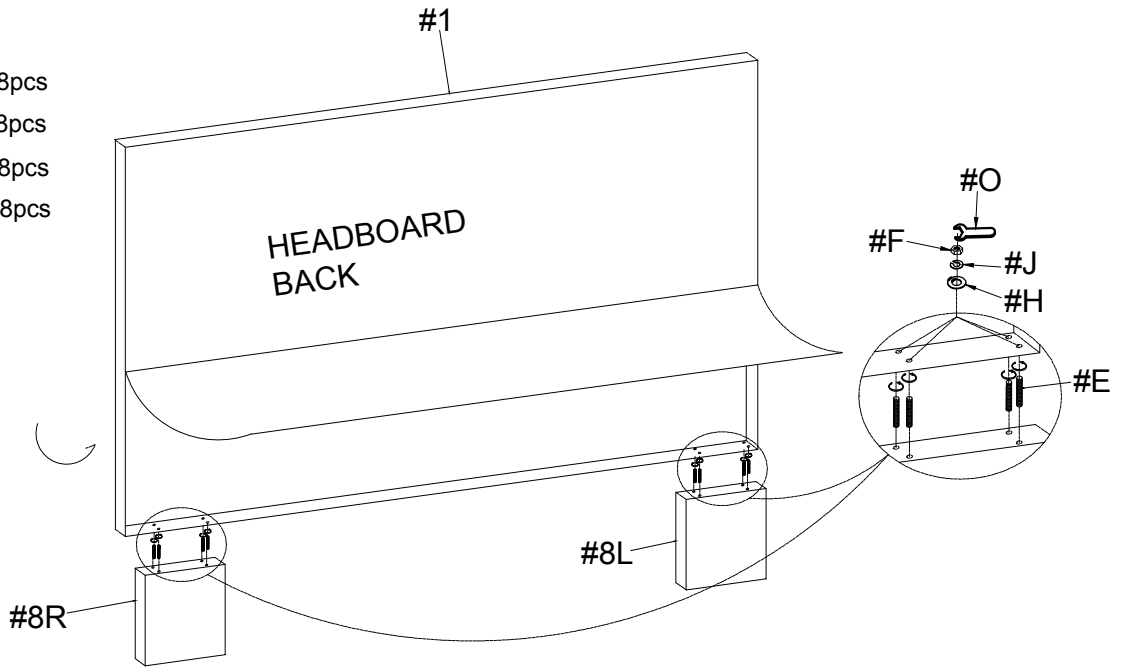
Carton	Disignation	Part	Hardware
CM7895Q-2	Side Rail Panel W/ Fabric(L&R) (2pcs)	#5 	
	FB Top Panel	#10 	
	FB Long Bottom Panel	#14 	
	FB Short Bottom Panel	#15 	
CM7895Q-3	Side Rail Top Panel(L&R) (2pcs)	#9 	
	Side Rail Panel(L&R) (2pcs)	#2 	
	Center Support Rail	#6 	
	Side Rail Long Bottom Panel (2pcs)	#12 	
	Side Rail Short Bottom Panel (2pcs)	#13 	
CM7895Q-4	HB Leg(L&R) (2pcs)	#8 	

ASSEMBLY INSTRUCTIONS

1

- Part #1 x1pc
- Part #8 x2pcs
- Hardware #E x8pcs
- Hardware #F x8pcs
- Hardware #H x8pcs
- Hardware #J x8pcs

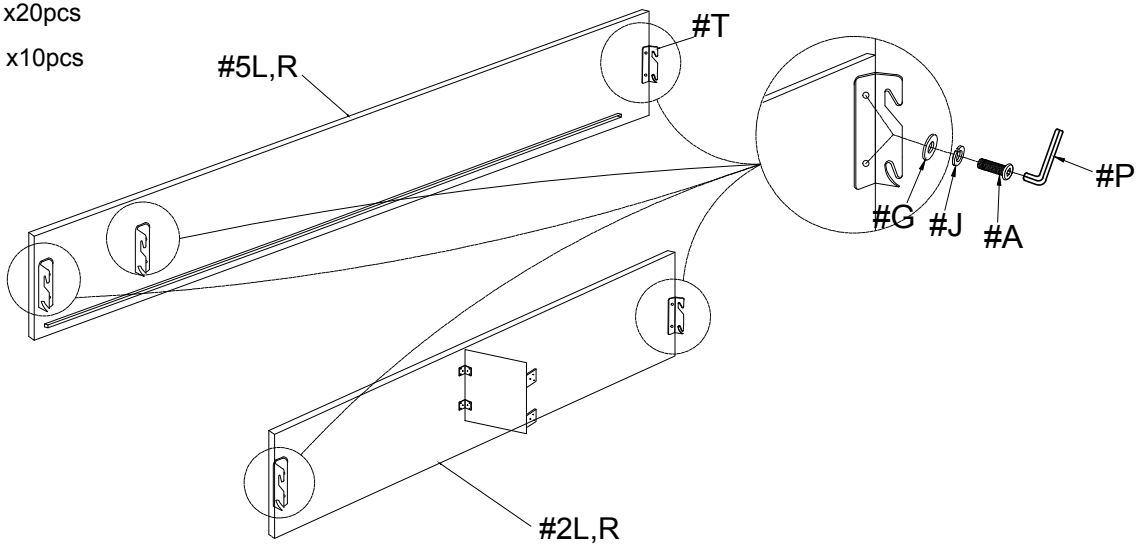
Align HB Leg (L&R) (#8) to Headboard (#1) and secure using Threaded Stud (#E) with Hex Nut (#F) and Washers (#H, J)



2

- Part #2 x2pcs
- Part #5 x2pcs
- Hardware #A x20pcs
- Hardware #G x20pcs
- Hardware #J x20pcs
- Hardware #T x10pcs

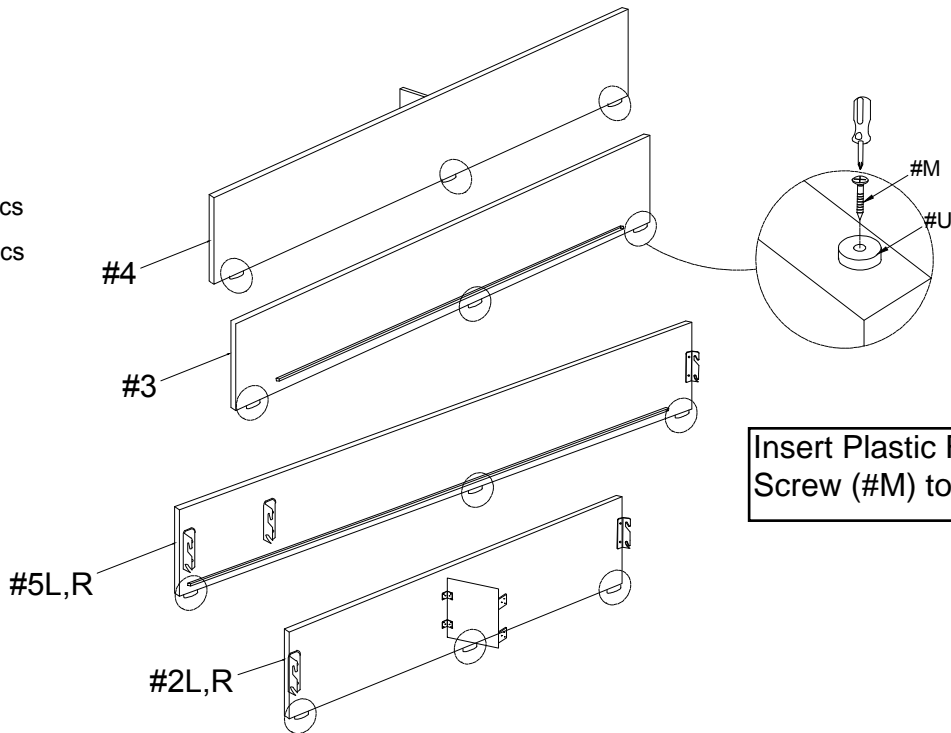
Attach Connection Strap L/R (#T) to Side Rails (#2, 5) and secure using Bolt (#A) with Washers (#G, J)



ASSEMBLY INSTRUCTIONS

3

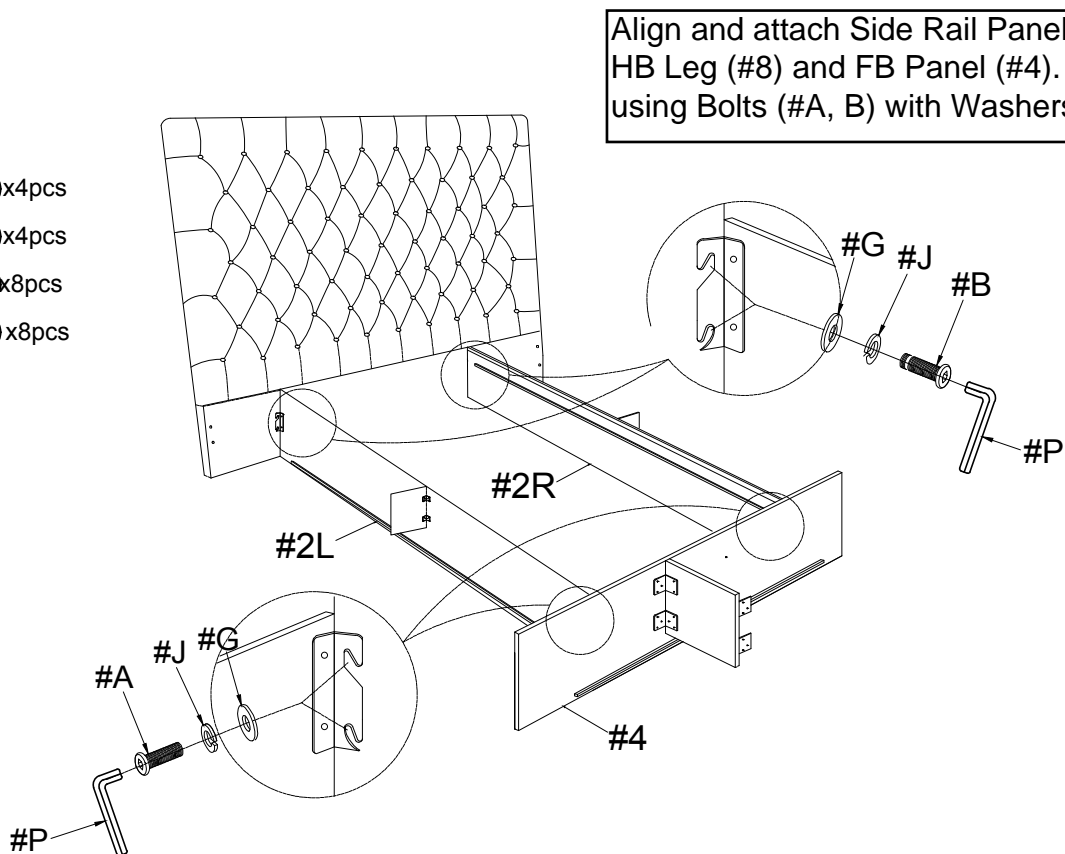
- Part #2 x2pcs
- Part #3 x1pc
- Part #4 x1pc
- Part #5 x2pcs
- Hardware #U x18pcs
- Hardware #M x18pcs



Insert Plastic Feet (#U) using Screw (#M) to all Panels (#2-5)

4

- Part #2 x2pcs
- Part #4 x1pc
- Hardware #A x4pcs
- Hardware #B x4pcs
- Hardware #J x8pcs
- Hardware #G x8pcs



Align and attach Side Rail Panel L/R (#2) to HB Leg (#8) and FB Panel (#4). Secure using Bolts (#A, B) with Washers (#G, J)

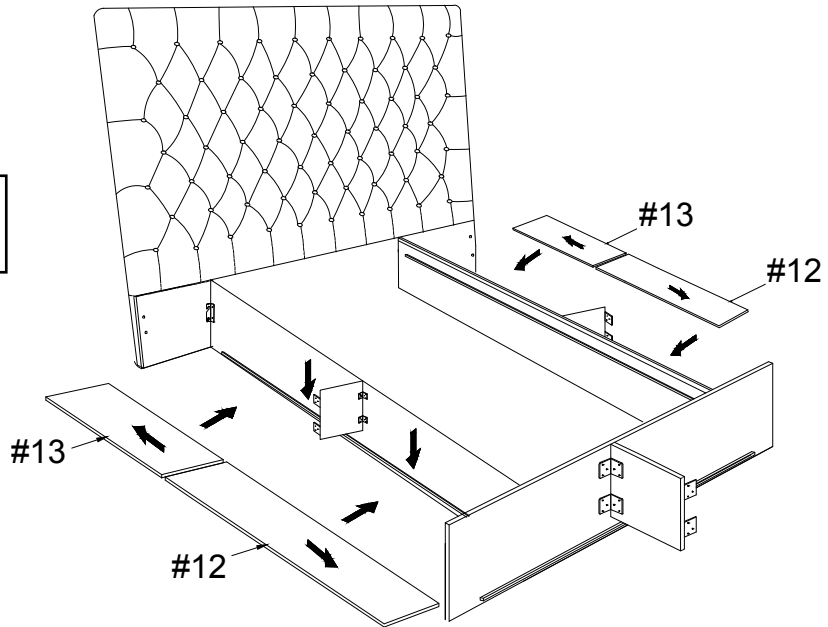
ASSEMBLY INSTRUCTIONS

5

Part #12 x2pcs

Part #13 x2pcs

Insert Side Rail Long and Short Bottom Panel (#12, 13)



6

Part #5 x2pcs

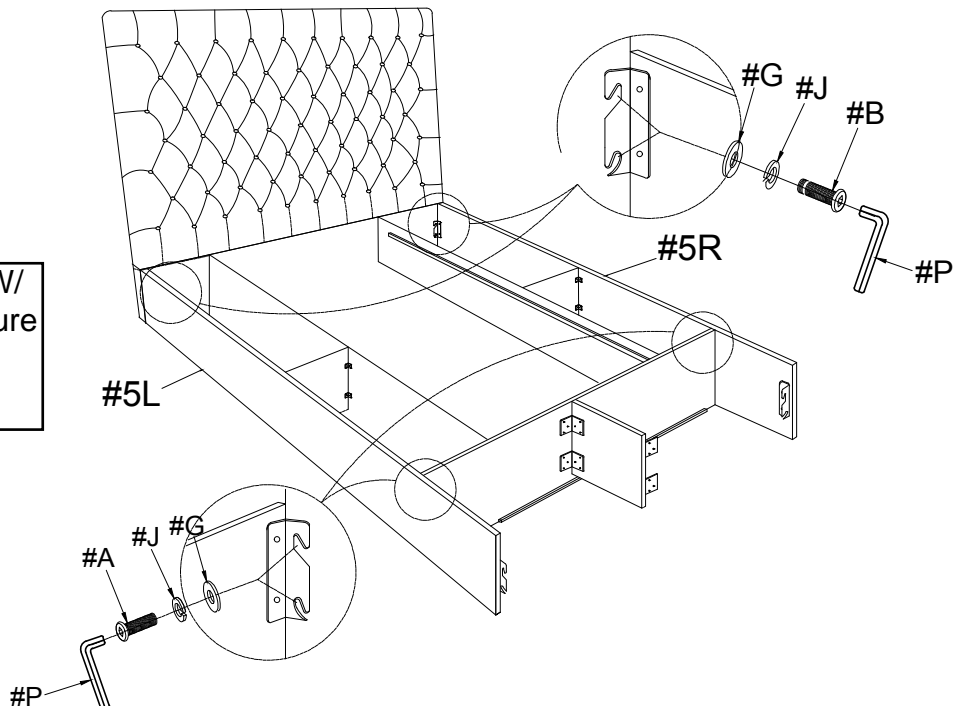
Hardware #A x4pcs

Hardware #B x4pcs

Hardware #J x8pcs

Hardware #G x8pcs

Attach Side Rail Panel W/
Fabric L/R (#5) and secure
using Bolts (#A, B) with
Washers (#G, J)

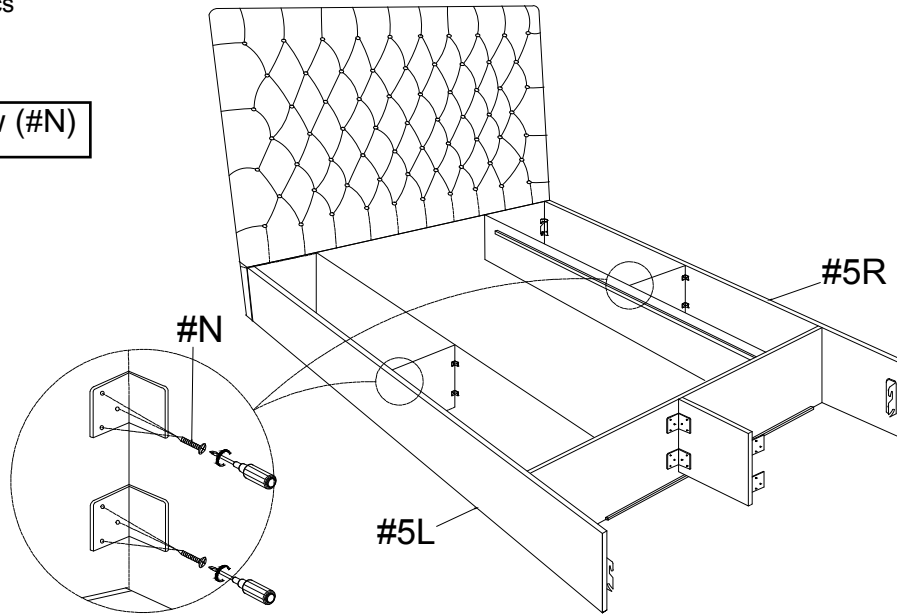


ASSEMBLY INSTRUCTIONS

7

Hardware $\text{\textcircled{#N}}$ x12pcs

Secure using Screw (#N)

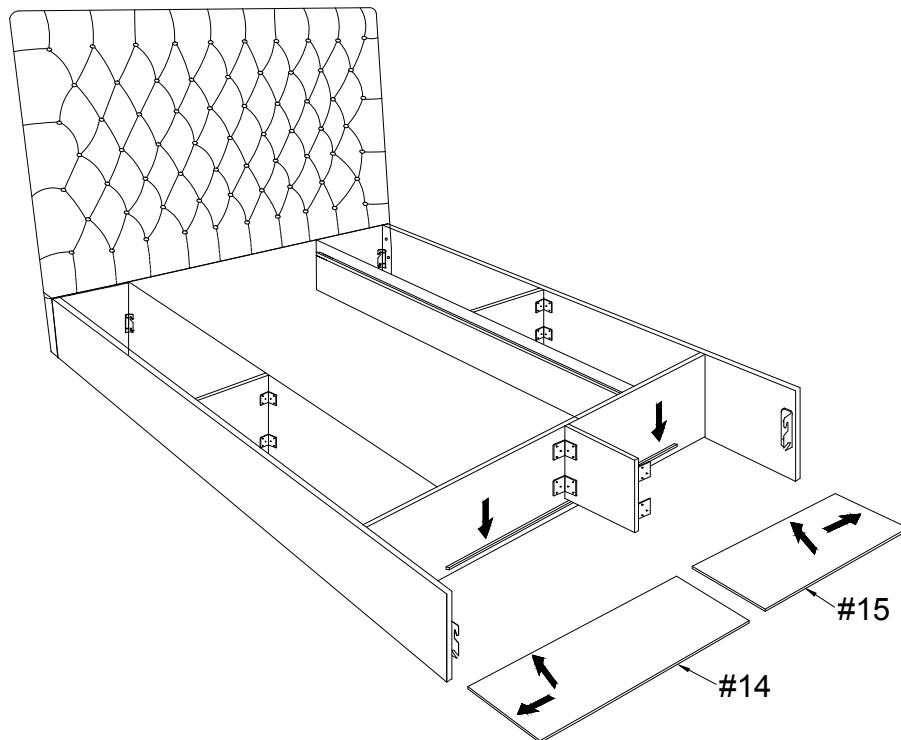


8

Part $\text{\textcircled{\#14}}$ x1pc

Part $\text{\textcircled{\#15}}$ x1pc

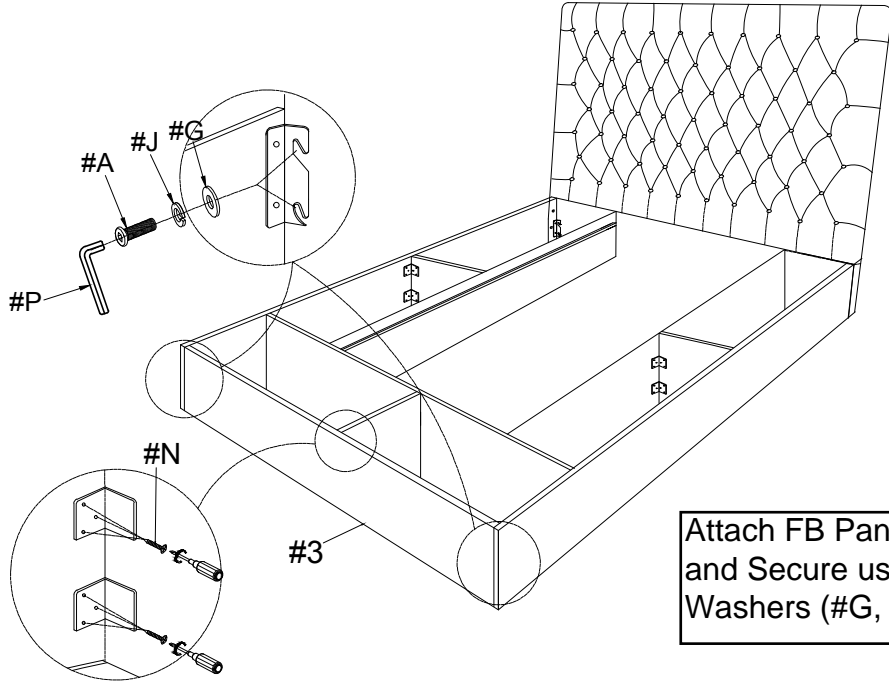
Insert FB Long and Short Bottom Panel (#14, 15)



ASSEMBLY INSTRUCTIONS

9

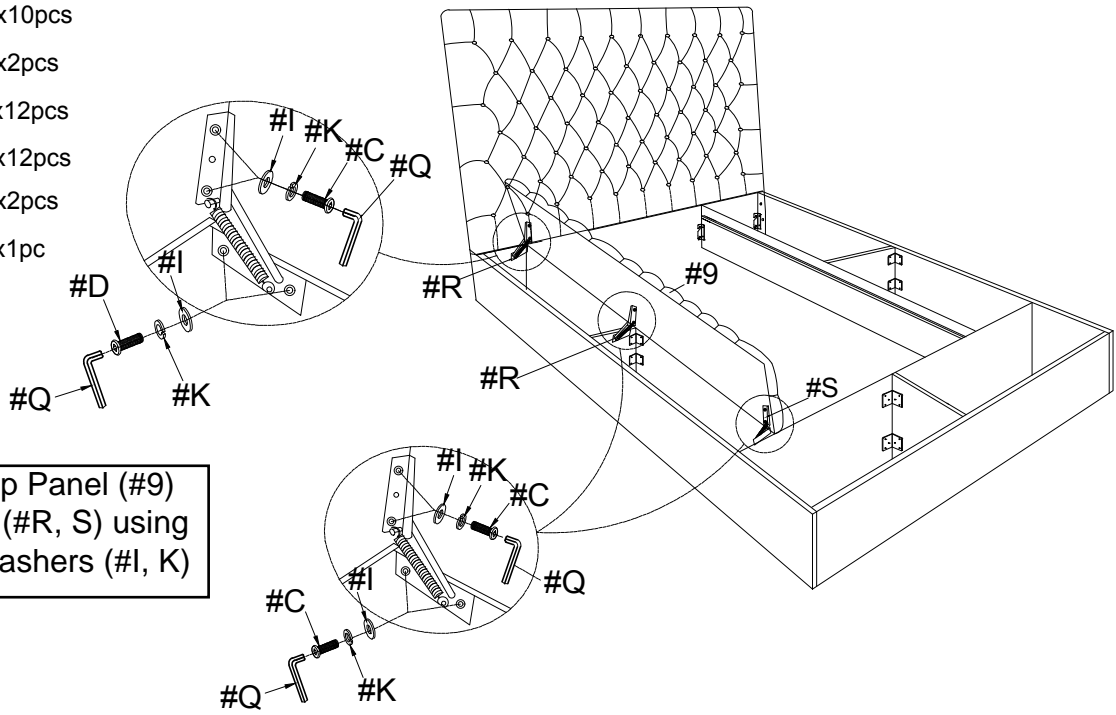
- Part #3 x1pc
- Hardware #A x4pcs
- Hardware #J x4pcs
- Hardware #G x4pcs
- Hardware #N x6pcs



Attach FB Panel w/ Fabric (#3)
and Secure using Bolt (#A) with
Washers (#G, J) and Screw (#N)

10

- Part #9 x1pc
- Hardware #C x10pcs
- Hardware #D x2pcs
- Hardware #I x12pcs
- Hardware #K x12pcs
- Hardware #R x2pcs
- Hardware #S x1pc

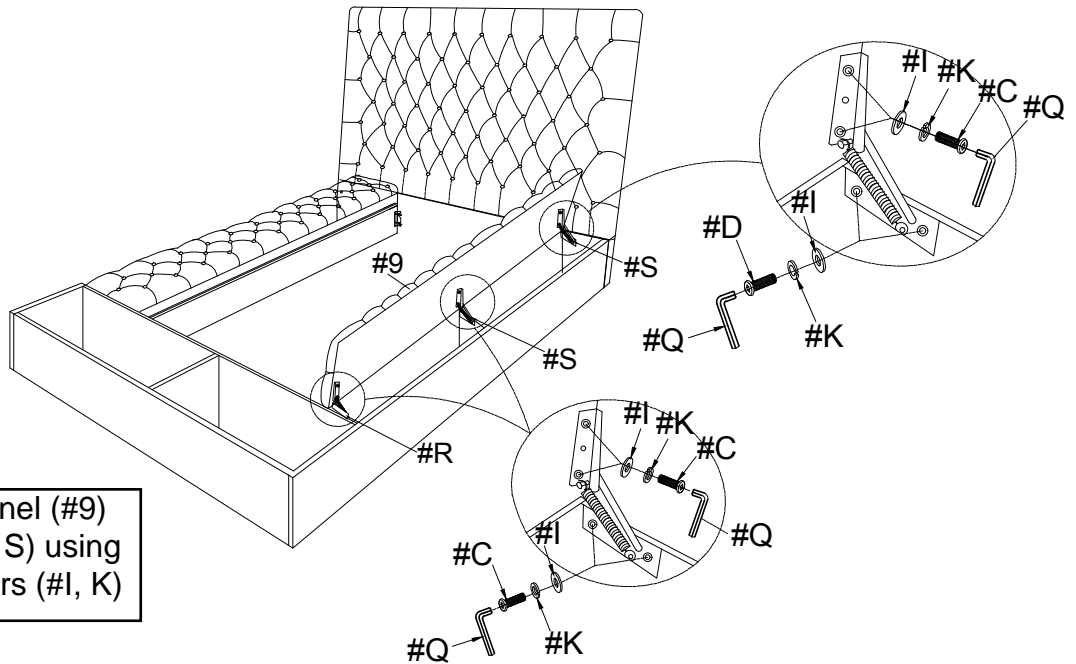


Attach Side Rail Top Panel (#9)
and secure Hinges (#R, S) using
Bolt (#C, D) with Washers (#I, K)

ASSEMBLY INSTRUCTIONS

11

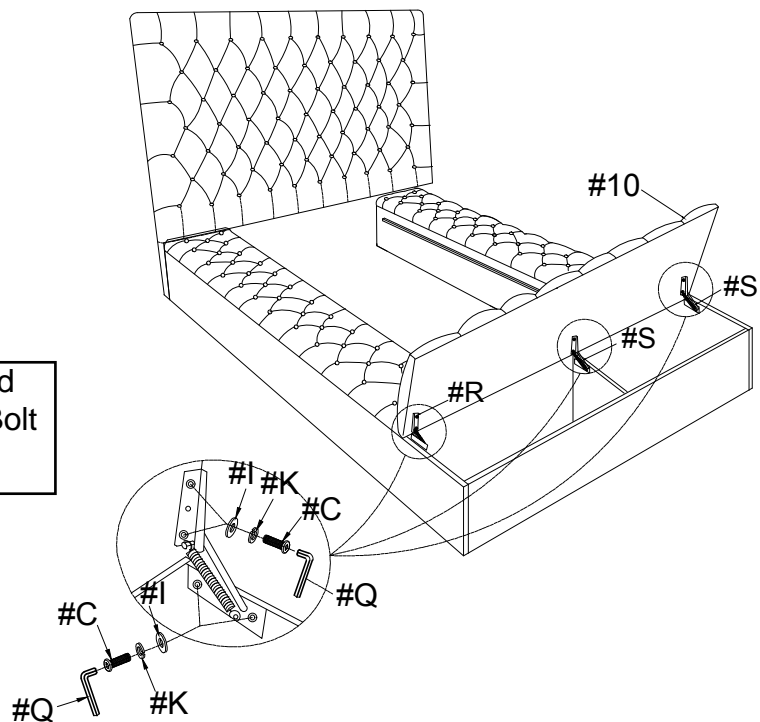
- Part #9 x1pc
- Hardware #C x10pcs
- Hardware #D x2pcs
- Hardware #I x12pcs
- Hardware #K x12pcs
- Hardware #R x1pc
- Hardware #S x2pcs



Attach Side Rail Top Panel (#9) and secure Hinges (#R, S) using Bolt (#C, D) with Washers (#I, K)

12

- Part #10 x1pc
- Hardware #C x12pcs
- Hardware #I x12pcs
- Hardware #K x12pcs
- Hardware #Q x1pc
- Hardware #R x1pc
- Hardware #S x2pcs



Attach FB Top Panel (#10) and secure Hinges (#R, S) using Bolt (#C) with Washers (#I, K)

ASSEMBLY INSTRUCTIONS

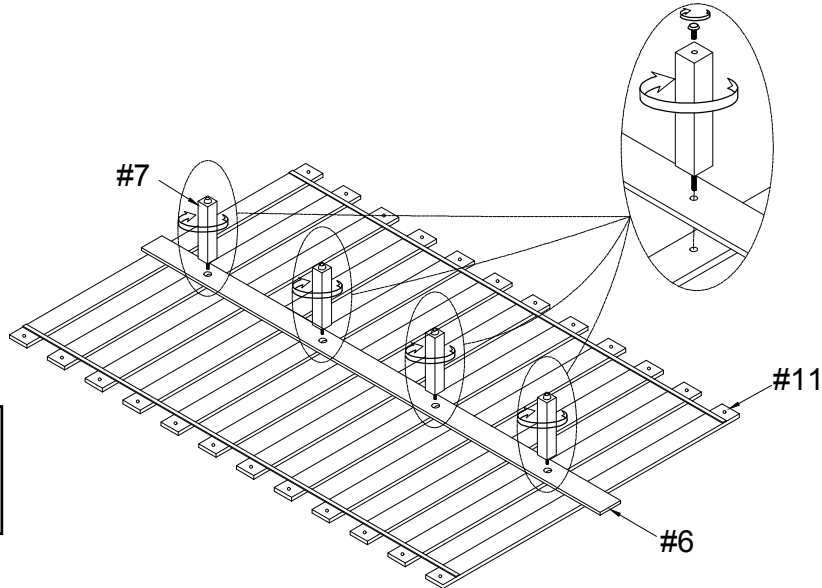
13

Part #6 x1pc

Part #7 x4pcs

Part #11 x1set

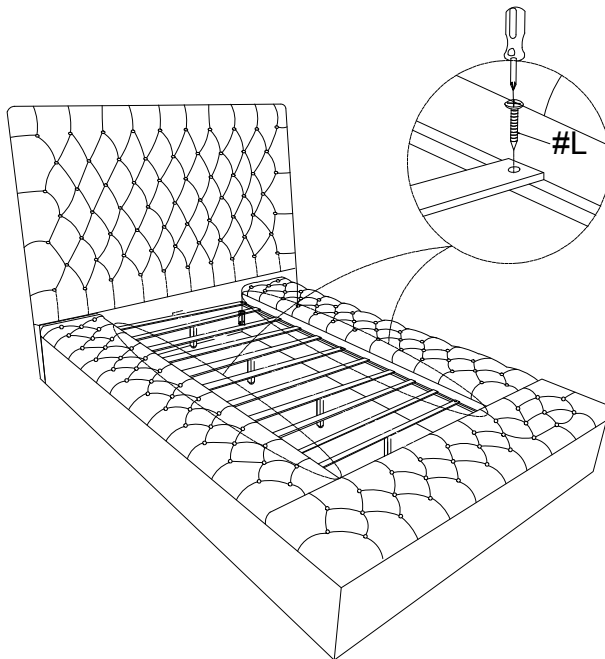
Attach Center Support Rail (#6) to Slat (#11) using Support Leg (#7)



14

Hardware #L x24pcs

Secure Slat (#11) using Screw (#L)



ASSEMBLY COMPLETED



Please ensure the furniture rests on an even and flat surface. If the product wobbles or feels loose, double-check all bolts and/or screws are properly tightened and secured.



Keep this handy!

Please retain this instruction manual and any order-related information for future reference.



Lift, don't drag!

To avoid damage to product please always LIFT the product when transporting or adjusting the placement.