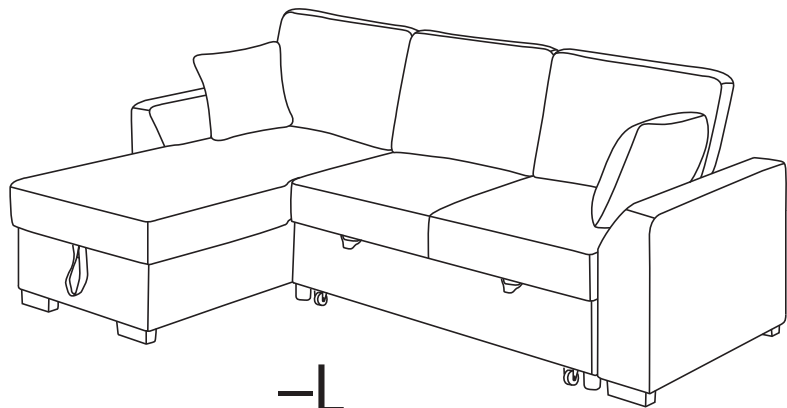
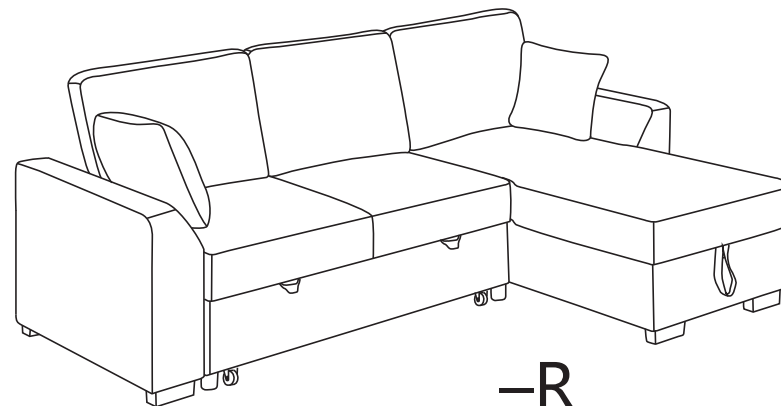


# ASSEMBLY INSTRUCTION

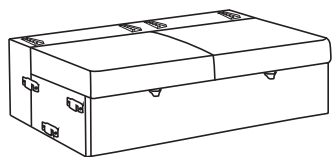


-L



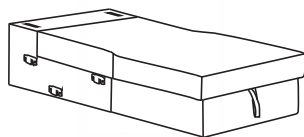
-R

## PARTS LIST



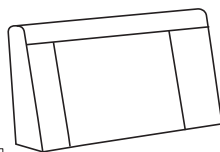
A

X1



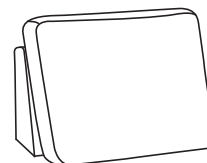
B

X1



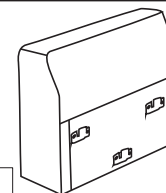
C

X2



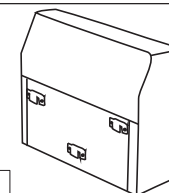
D

X1



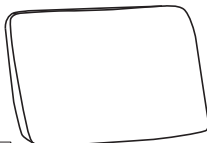
E

X1



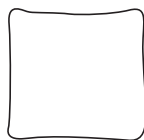
F

X1



G

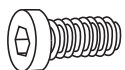
X2



H

X2

## HARDWARE LIST



M6X25

1 X8



M4

2 X1



150x60x50mm

3 X6

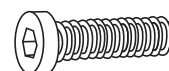


4 X4



∅60x50mm

5 X6



M8X60

6 X6



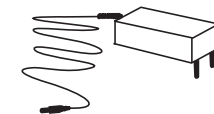
M5

7 X1



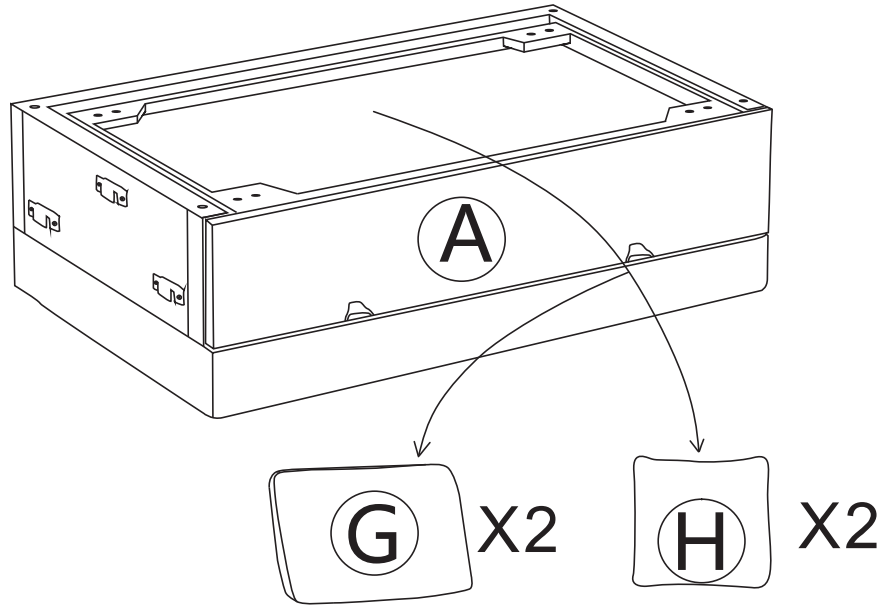
M5X50

8 X12

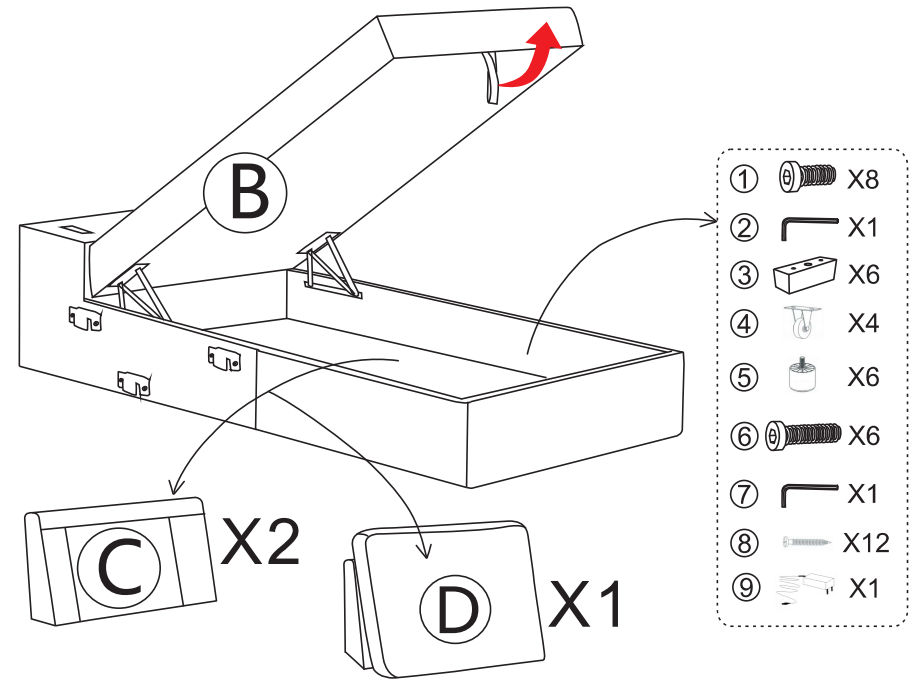


9 X1

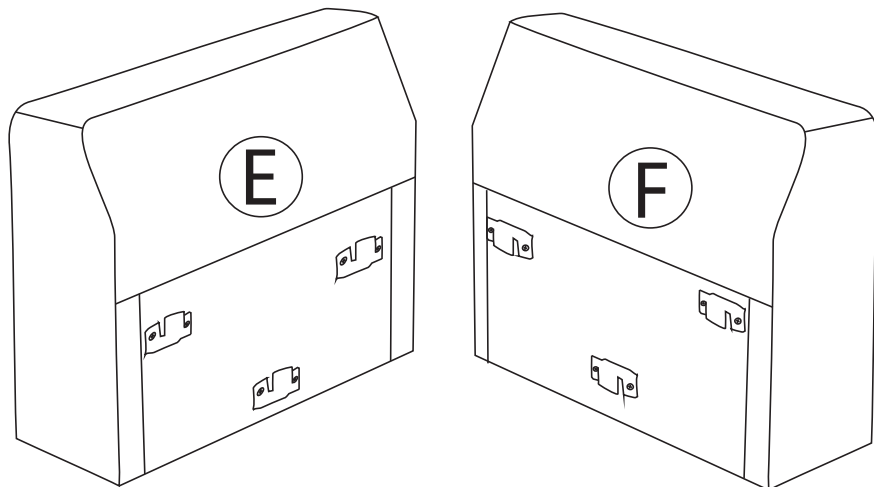
## BOX -1 HARDWARE LIST



## BOX -2 HARDWARE LIST



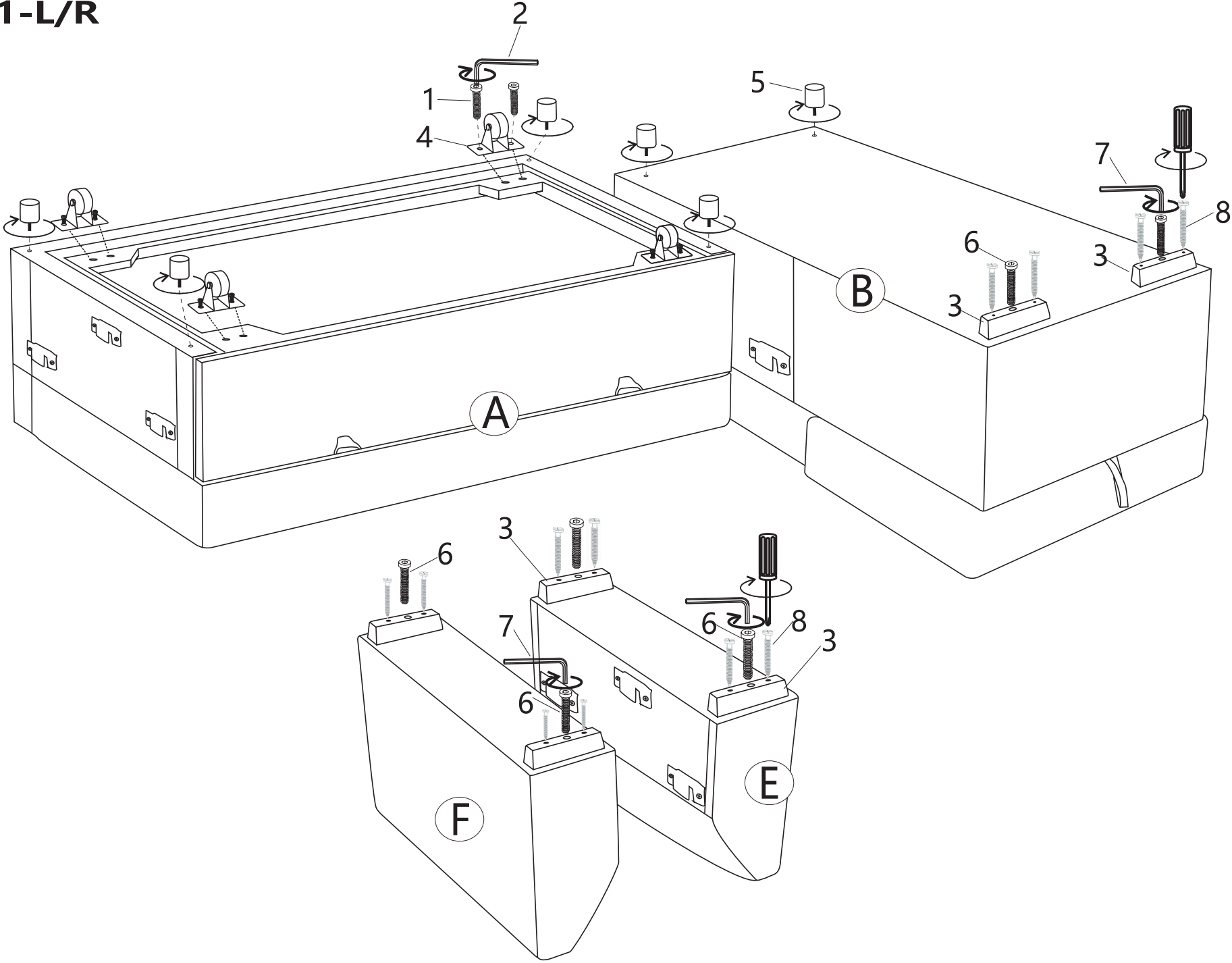
## BOX -3 HARDWARE LIST



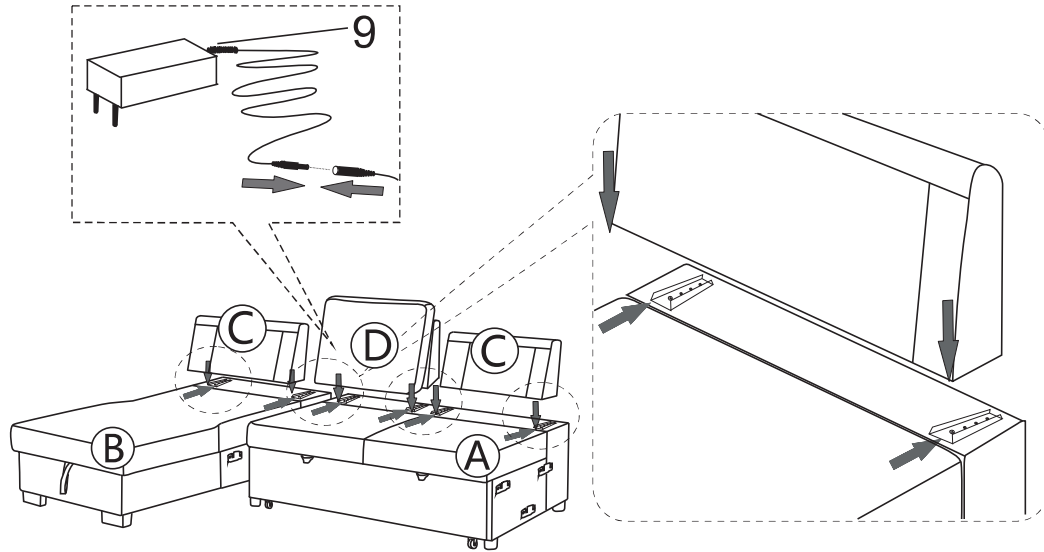
## Unpacking steps:

1. BOX-2
2. BOX-1
3. BOX-3

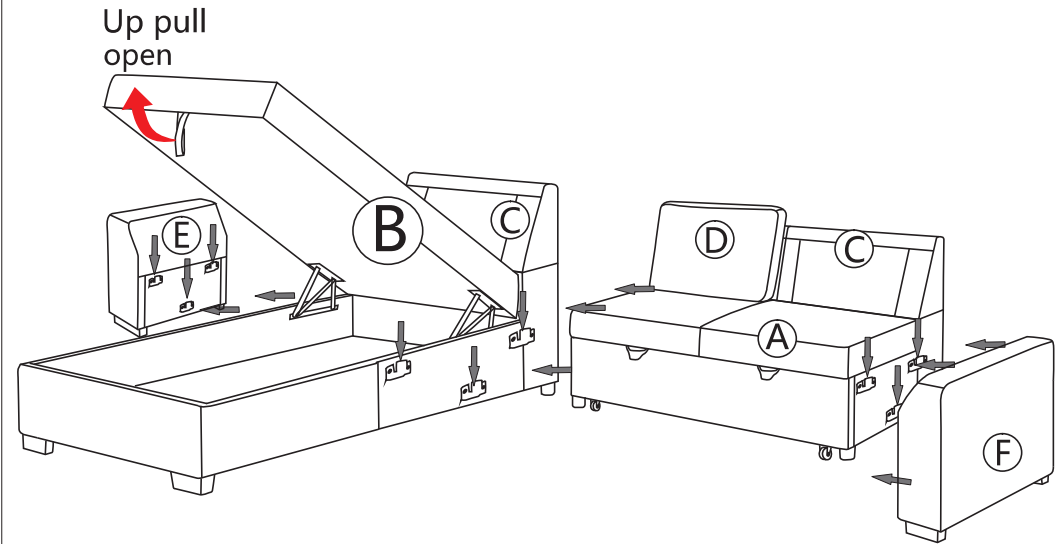
# Step1-L/R



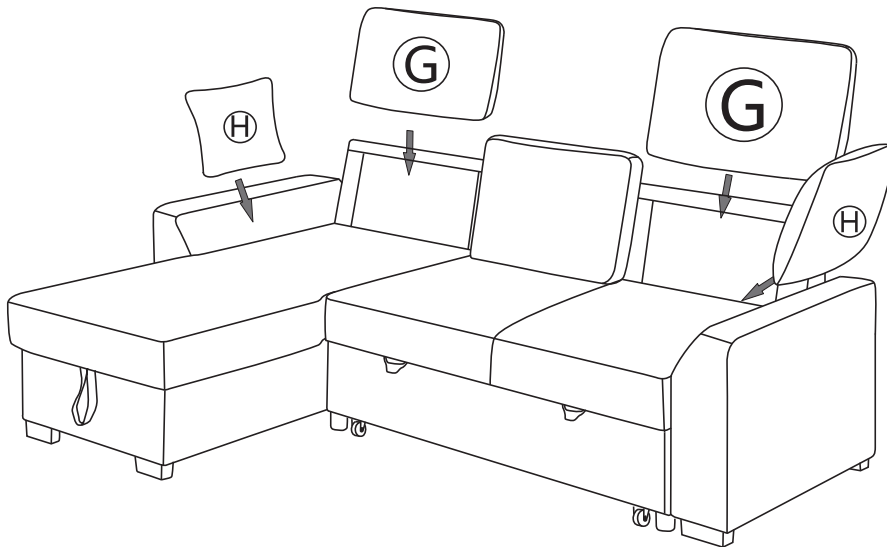
## Step2-L



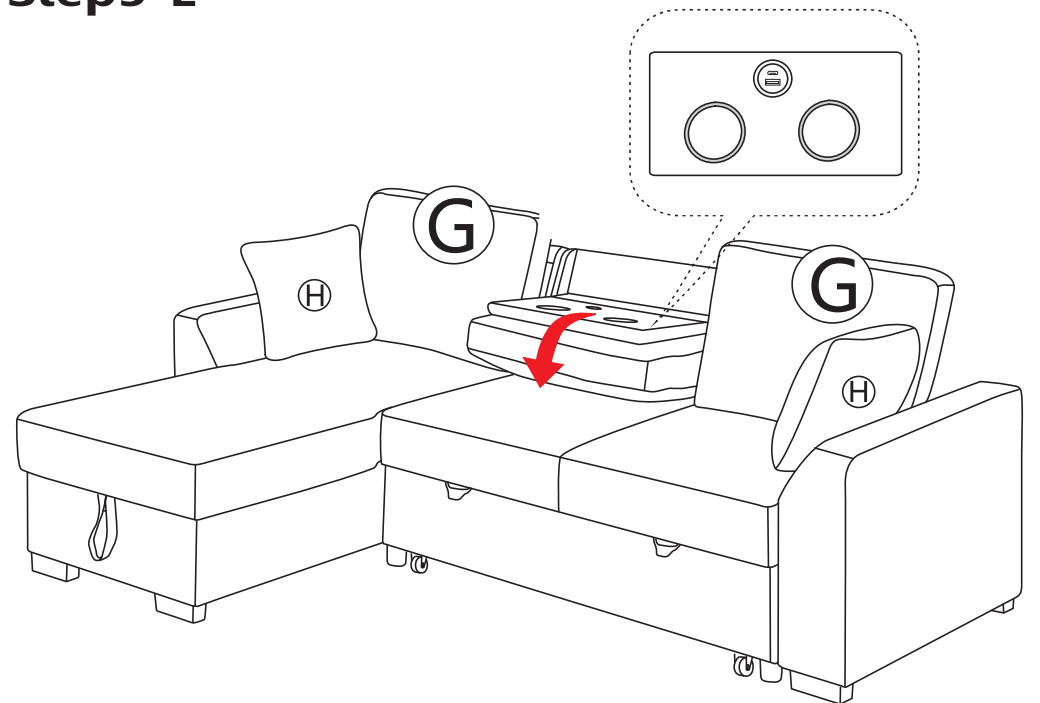
## Step3-L



## Step4-L

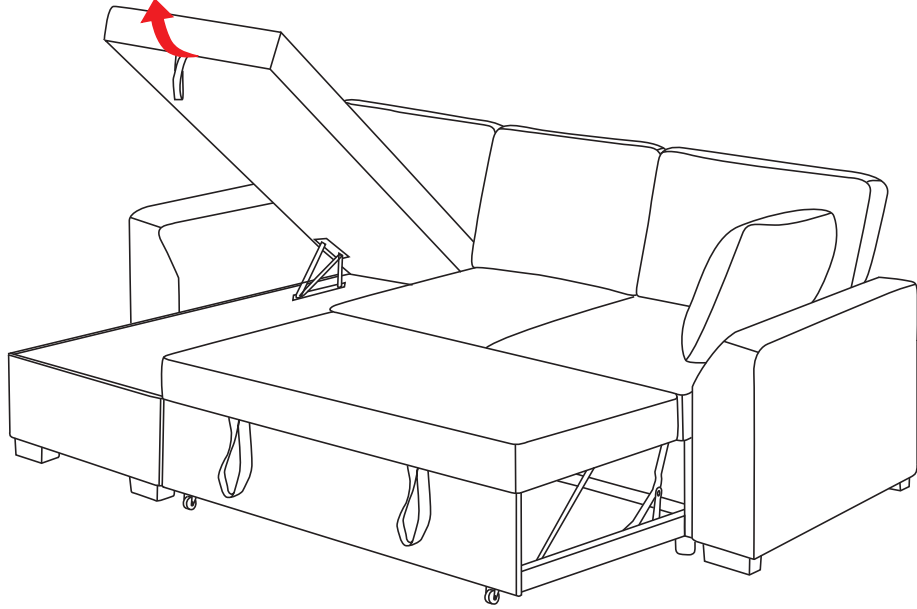


## Step5-L

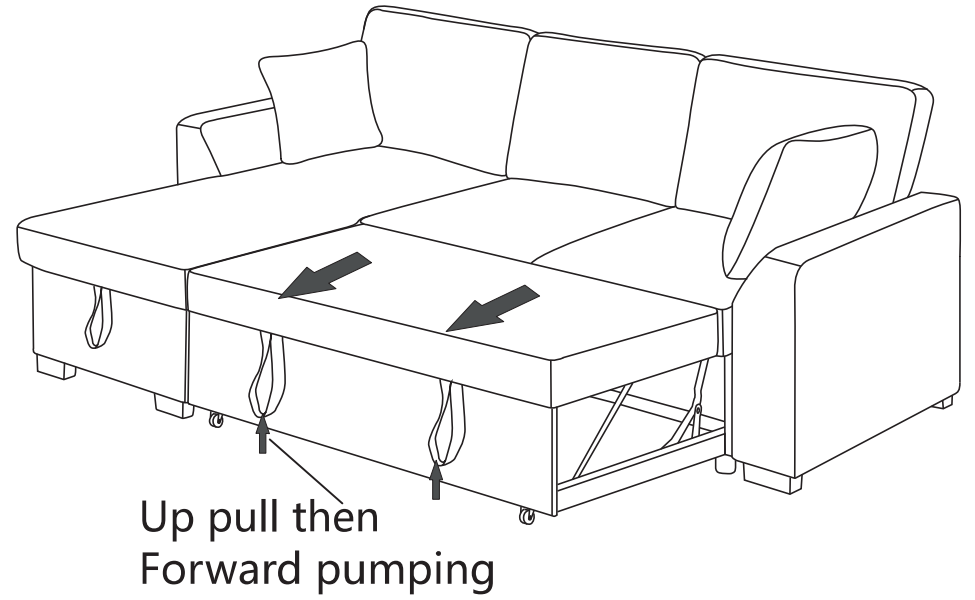


### Step6-L

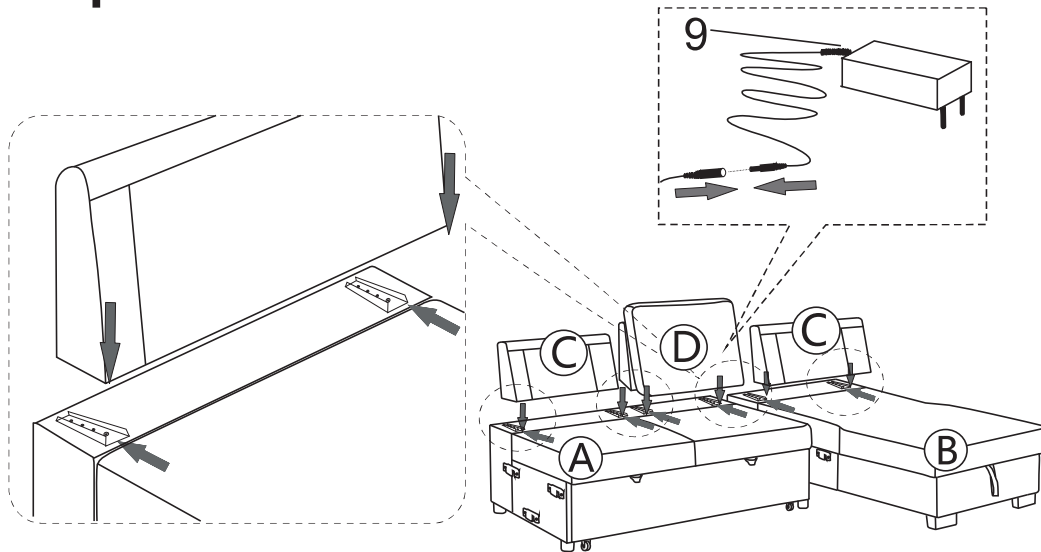
Up pull  
open



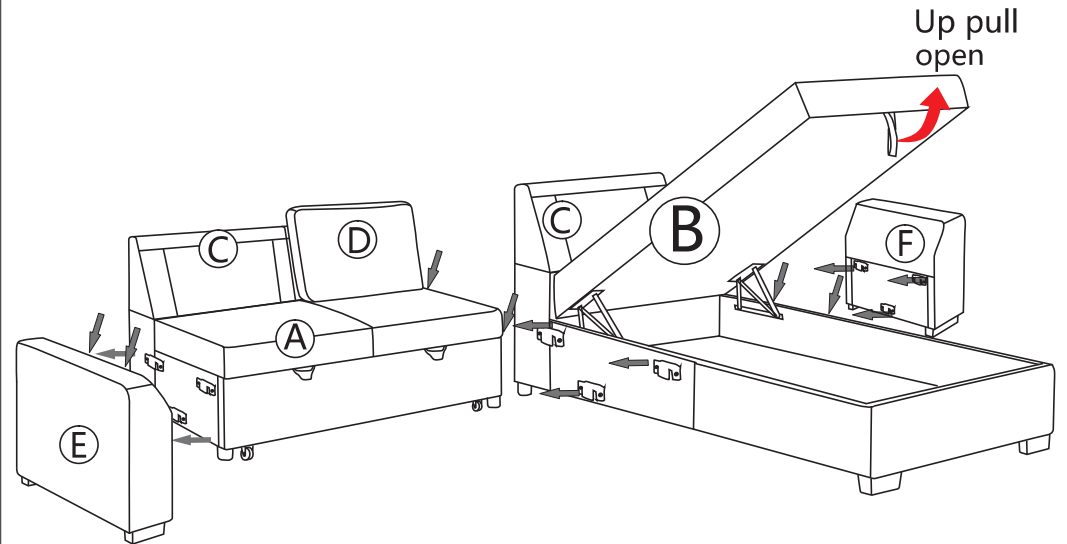
### Step7-L



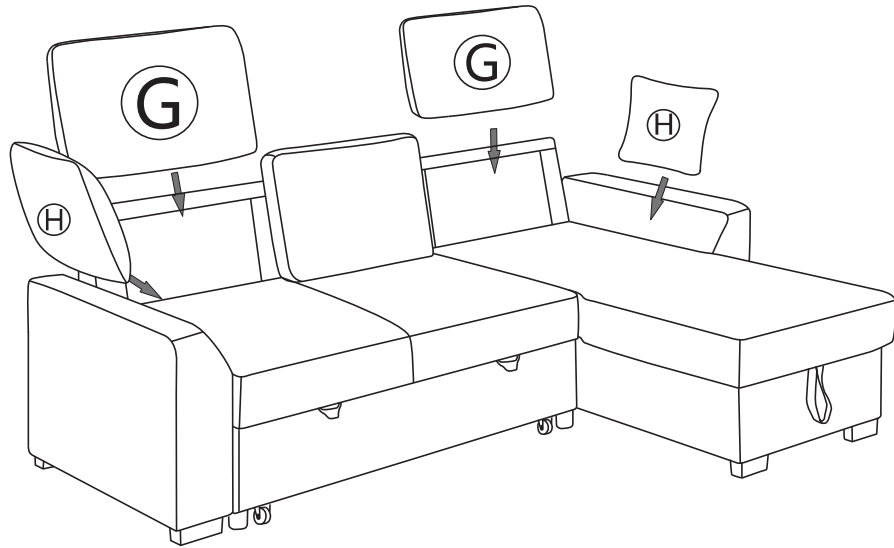
### Step2-R



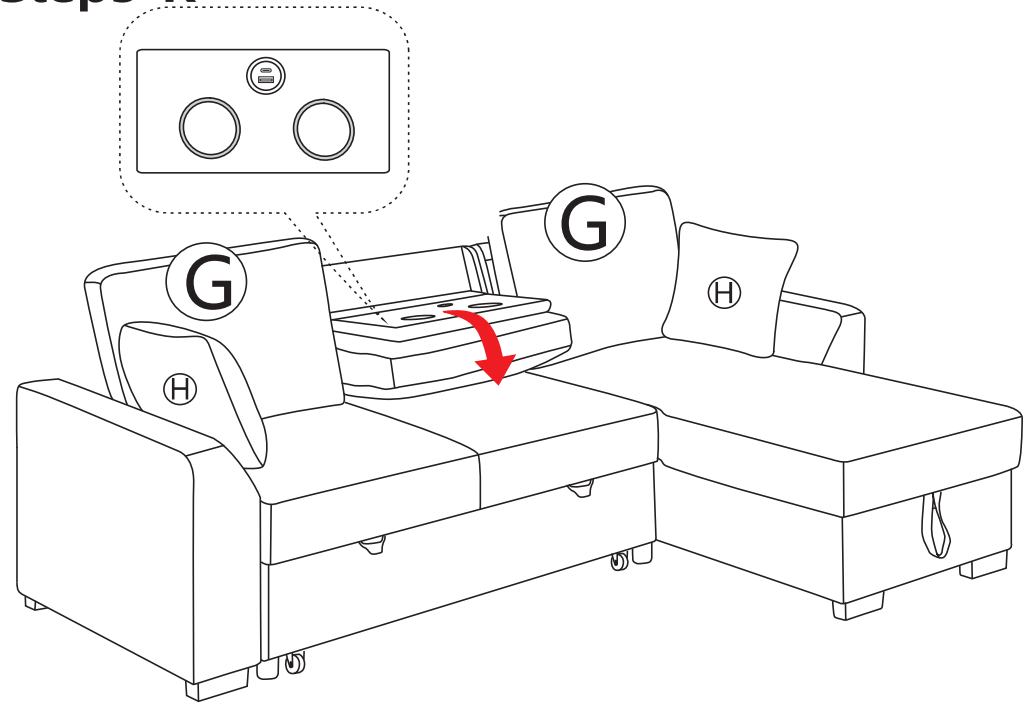
### Step3-R



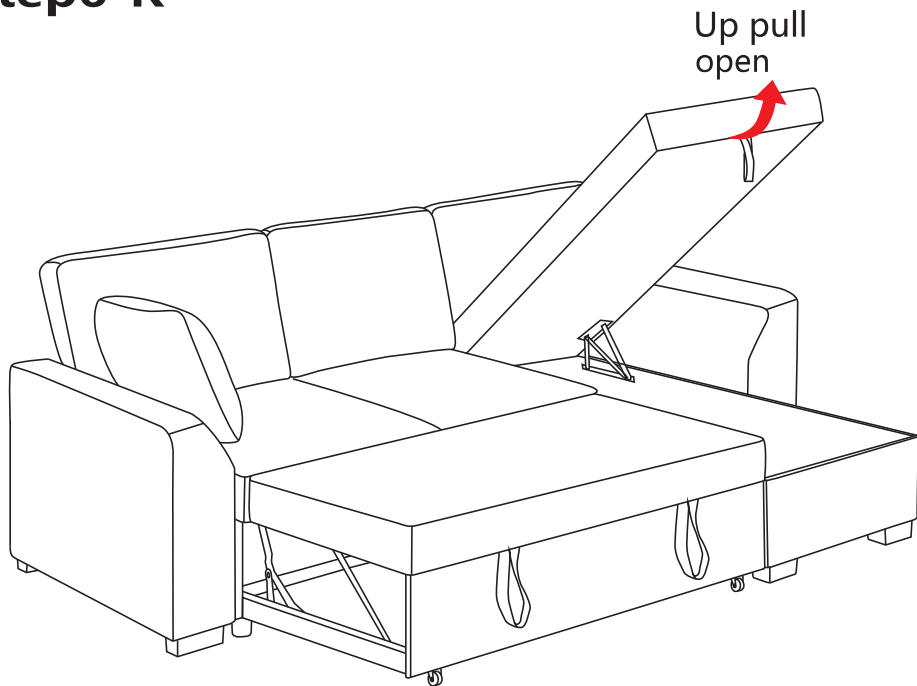
### Step4-R



### Step5-R



### Step6-R



### Step7-R

