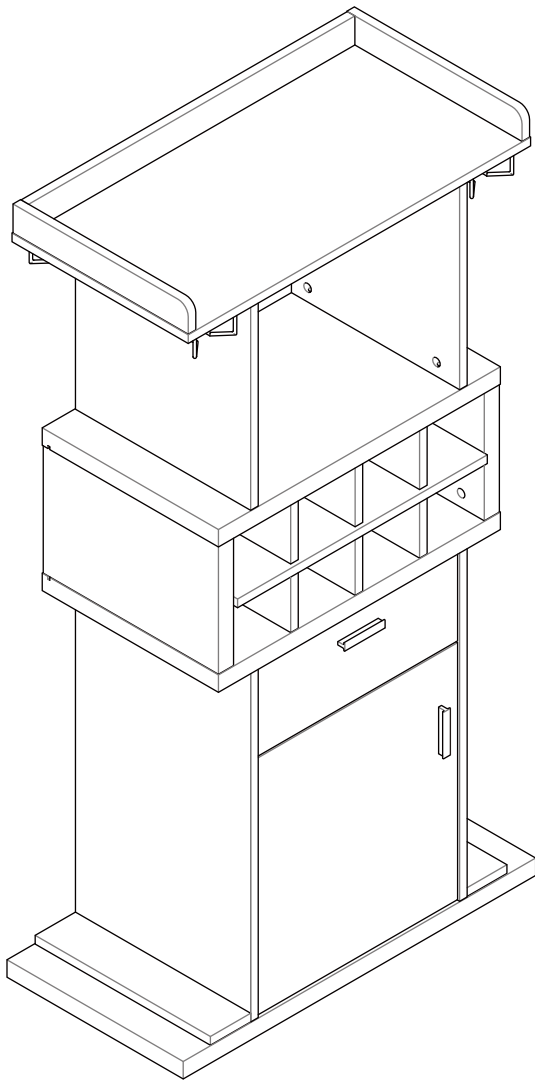


ASSEMBLY INSTRUCTIONS



TOOLS REQUIRED



Hammer
(Not Included)



**Phillips
Screwdriver**
(Not Included)



**2 - Persons
Recommended**

ASSEMBLY RATING



EASY —————> DIFFICULT

The Assembly Rating is a 5-point system showing the level of effort needed to assemble a specific product.

Thank you for your purchase!

We hope you enjoy this new addition to your home for many years to come.

Our commitment to providing quality products does not simply end when you purchase our product. We fully stand behind our products from start to finish. Our customer service department is available Monday ?Friday 8:30 AM ?5:30 PM Pacific and can help with assembly questions as well as, if necessary, replacing damaged or missing parts. To help expedite our service, please have these assembly instructions readily available, along with your order receipt.



CHECK BEFORE STARTING

Are you missing anything?

Double-check all parts, hardware and accessories listed on Page 6 are accounted for.

Check out our Quick Tips!

We recommend reviewing the pre-assembly handouts. Even experts need a refresher now and then!

Should we send any replacements?

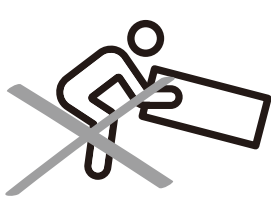
Are there any irregularities or flaws in the parts? We can send replacements!

Prep Time!

Please review the assembly instructions and all diagrams prior to assembling. Arrange parts as recommended on Page 7 and group identical hardware together to make assembling easier.

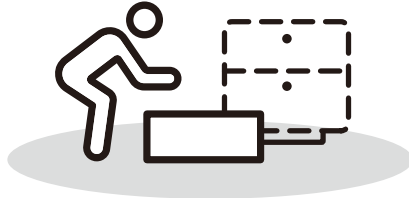
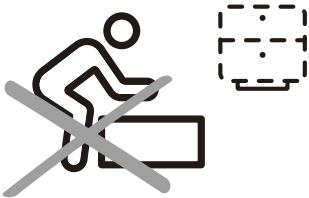
PRE ASSEMBLY INTRODUCTION

We understand building ready-to-assemble furniture can be a challenging experience for some. To help avoid confusion, we have provided some helpful tips that may speed up the process.



Teamwork

ALWAYS have at least two people to help with transporting and assembling the product to avoid potential injury and/or damage.



Suitable Location

Assembling near the area of the intended location is highly recommended.



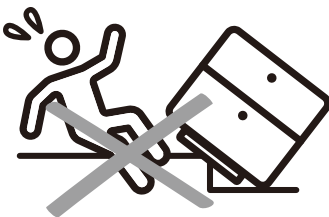
Sufficient Space

Make sure you have enough space to move around during the assembly.



Avoid Scratches

Use cardboard, blankets or a carpeted area while assembling furniture to prevent scratches.



Flat Surface

Make sure the furniture rests on a flat and level surface with each leg evenly touching the floor.

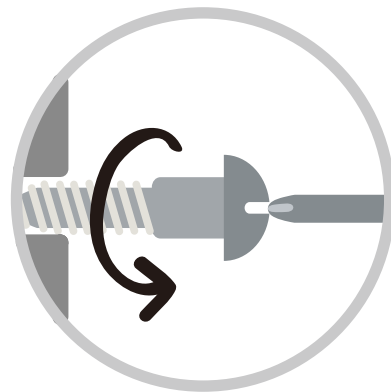
ASSEMBLY AND CARE ADVICE



FAILURE TO FOLLOW THE GUIDELINES BELOW MAY RESULT IN INJURY AND/OR PROPERTY DAMAGE.



Position each part correctly and insert screws or bolts into their respective holes.



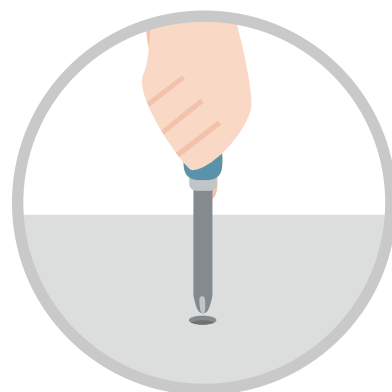
Turn clockwise to tighten and only tighten when step is completed or when instructed to do so.



Use the appropriate hand tools or power tools for assembly. Select steps, such as tightening screws and/or bolts, may require hand tools to avoid causing damage during assembly.



Save the instructions and store any supplied tools for later maintenance.



After two weeks, check and tighten any loose hardware and repeat again every six months thereafter.

IT IS THE USER'S RESPONSIBILITY TO MAINTAIN THE FURNITURE. THE HARDWARE MAY LOOSEN OVER TIME AND MAY CAUSE THE FURNITURE TO BE WOBBLY AND UNABLE TO SUPPORT ITS INTENDED WEIGHT CAPACITY. THIS MAY LEAD TO COLLAPSE AND MAY CAUSE SERIOUS INJURY.

CAM LOCK FASTENER ASSEMBLY INSTRUCTIONS

Note :

Every cam lock bolt must have a cam lock connector in order to fasten the parts together.



cam bolt



cam lock



screwdriver



1

Screw the cam bolt into panel.



2

Insert the cam bolt into the bolt hole of joint panel.



3

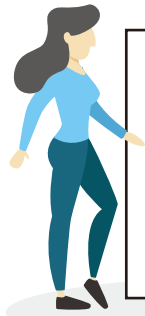
Align the cam lock with its side opening (or arrow) pointing to cam bolt.



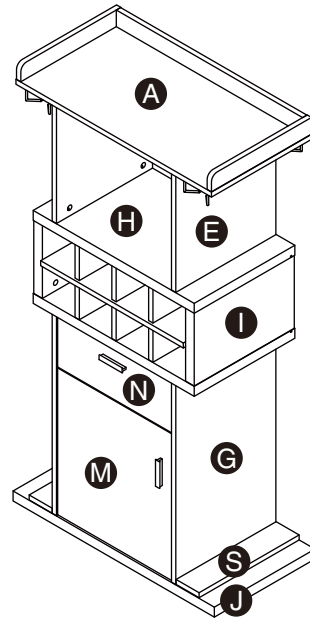
4

Turn the cam lock clockwise gently until it will not turn any more.

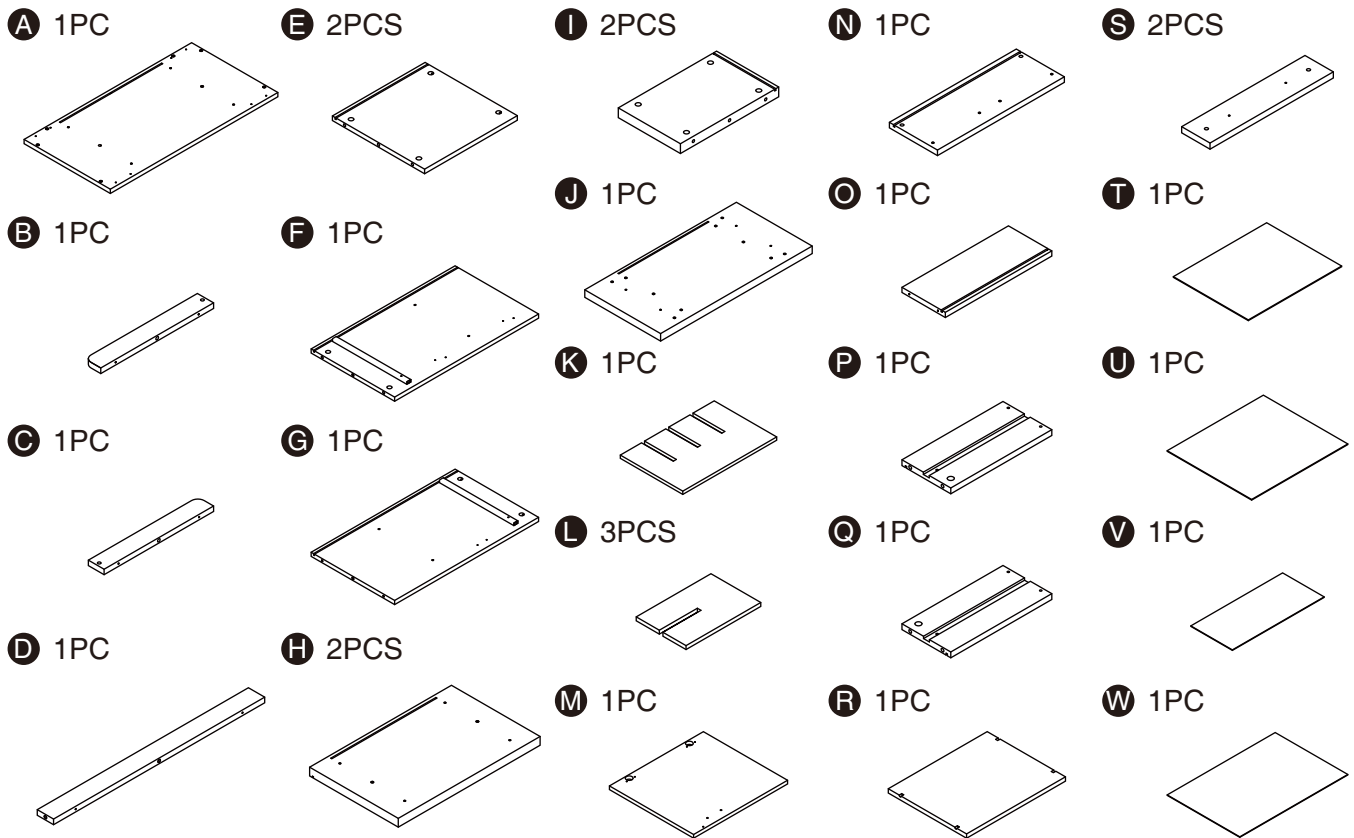
MINI BAR



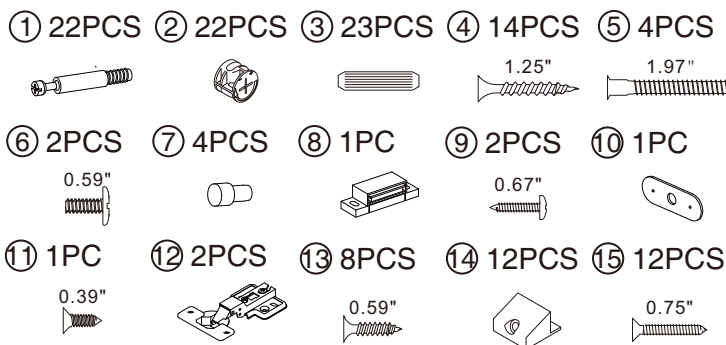
- Please keep instructions for future reference.
- Check the quantity and irregularity of parts and hardware before you start.



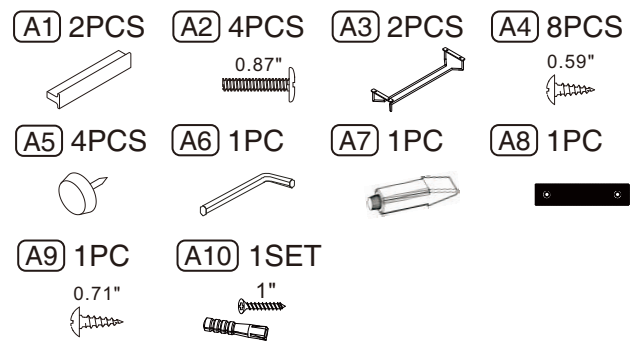
PARTS



HARDWARE

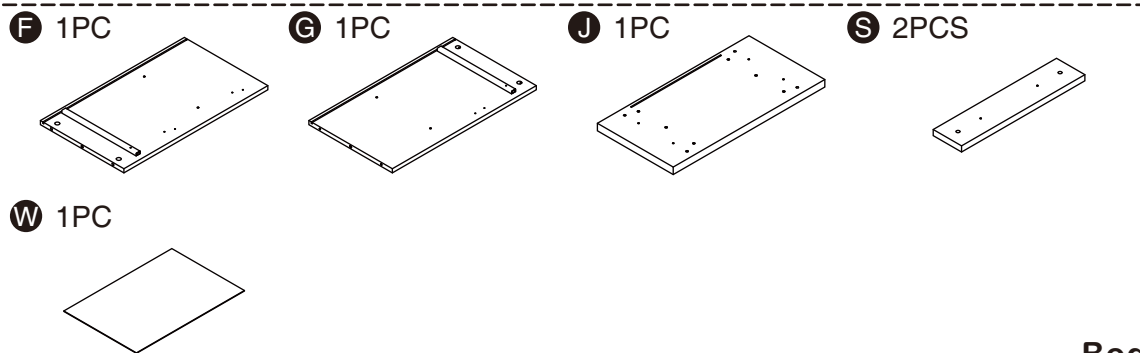
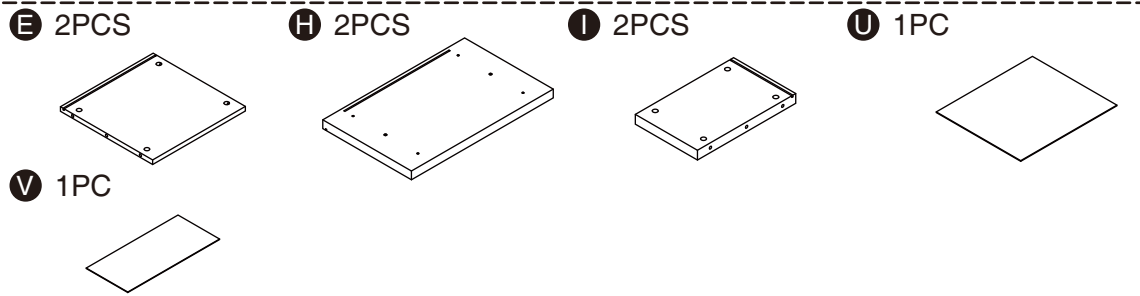
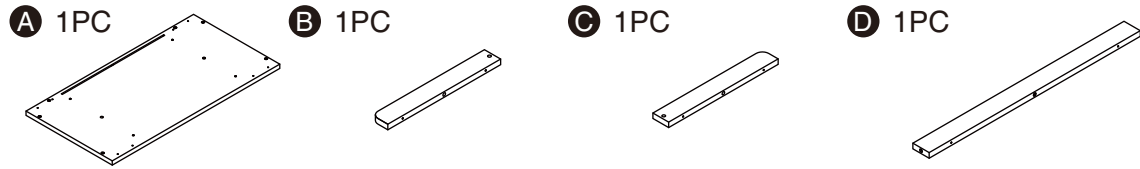


ACCESSORIES

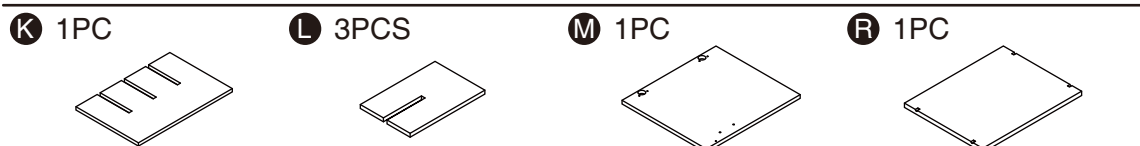


Get Ready.

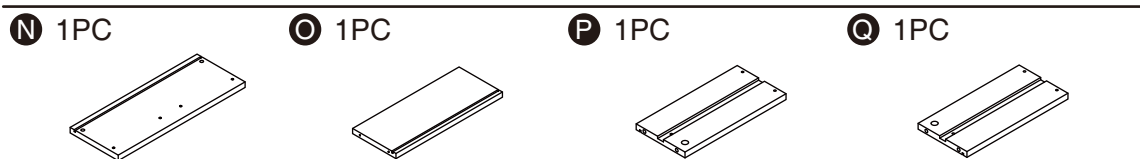
Please group boards as below.



Body



**Doors
/Shelf**

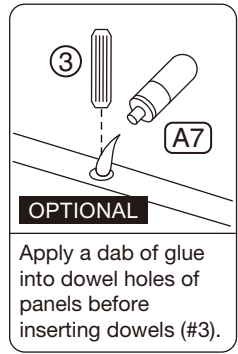


Drawer

ASSEMBLY INSTRUCTIONS

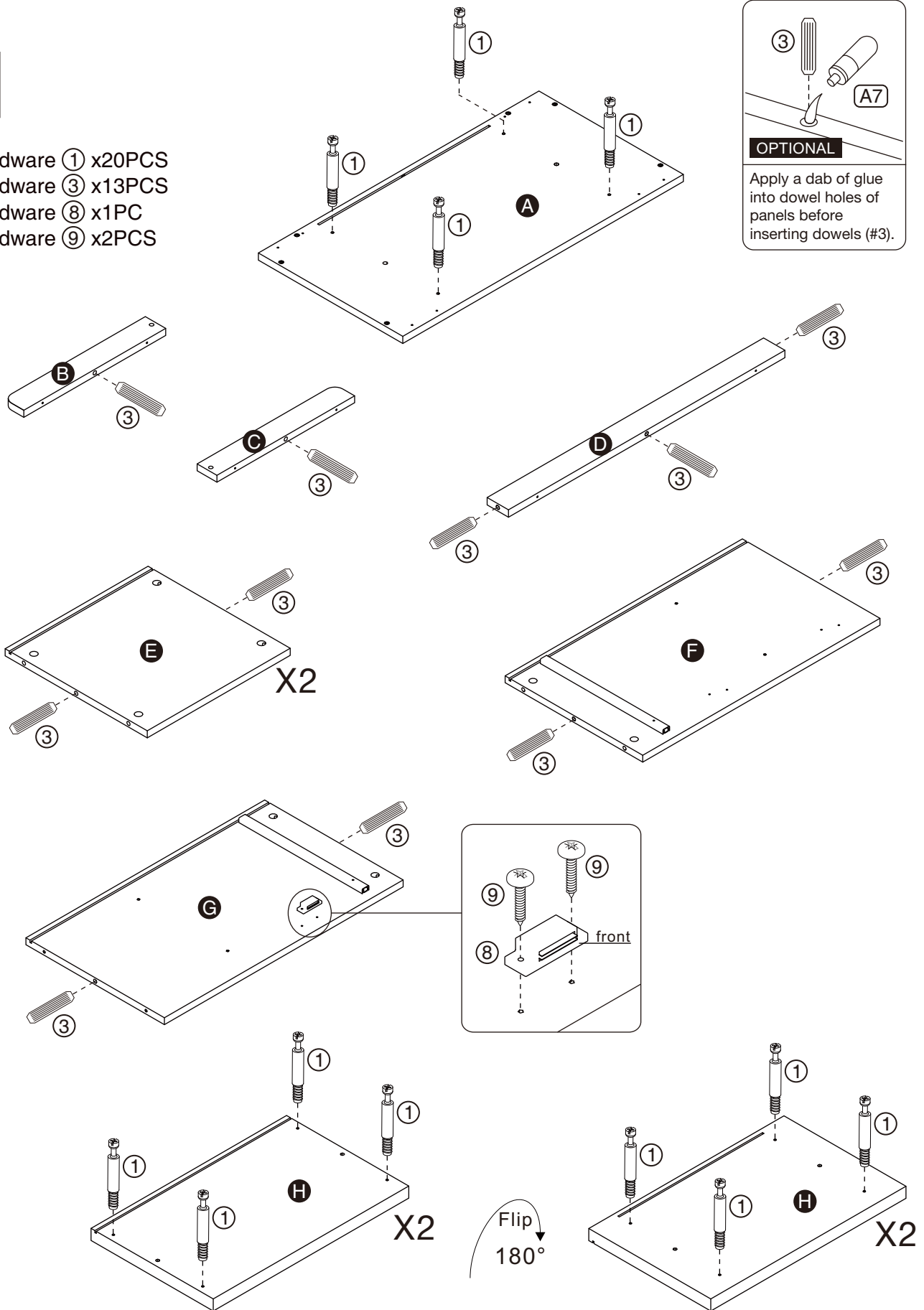
1

- Hardware ① x20PCS
- Hardware ③ x13PCS
- Hardware ⑧ x1PC
- Hardware ⑨ x2PCS



OPTIONAL

Apply a dab of glue into dowel holes of panels before inserting dowels (#3).

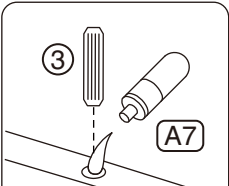


ASSEMBLY INSTRUCTIONS

2

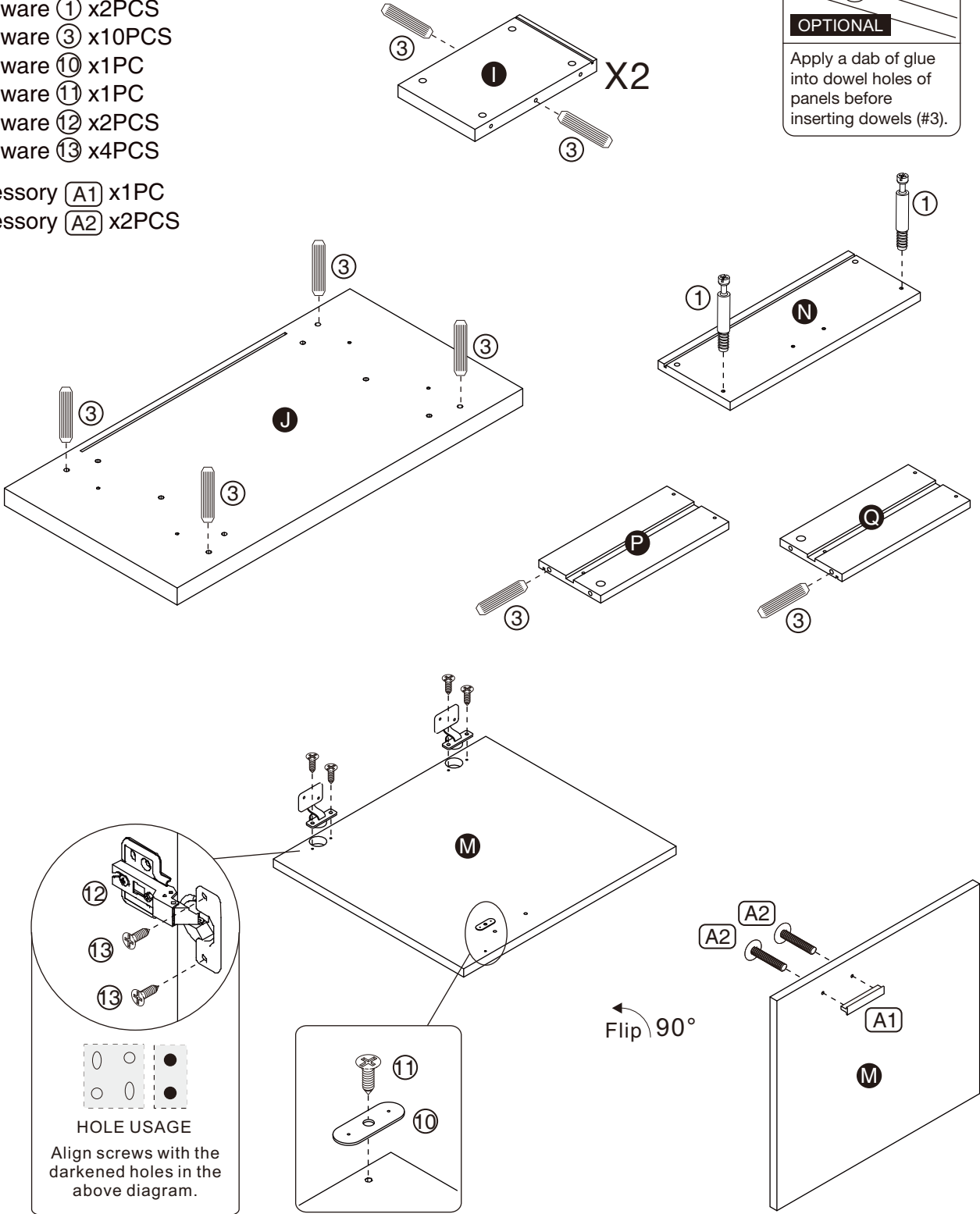
- Hardware ① x2PCS
- Hardware ③ x10PCS
- Hardware ⑩ x1PC
- Hardware ⑪ x1PC
- Hardware ⑫ x2PCS
- Hardware ⑬ x4PCS

- Accessory A1 x1PC
- Accessory A2 x2PCS



OPTIONAL

Apply a dab of glue into dowel holes of panels before inserting dowels (#3).



ASSEMBLY INSTRUCTIONS

3

Part **A** x1PC

Part **B** x1PC

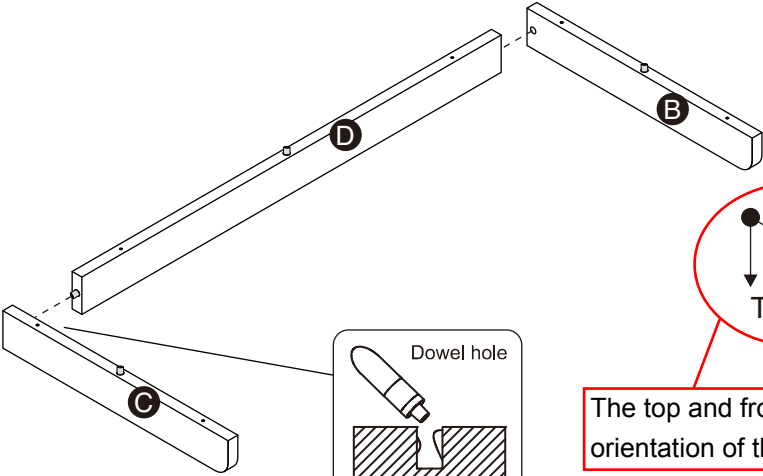
Part **C** x1PC

Part **D** x1PC

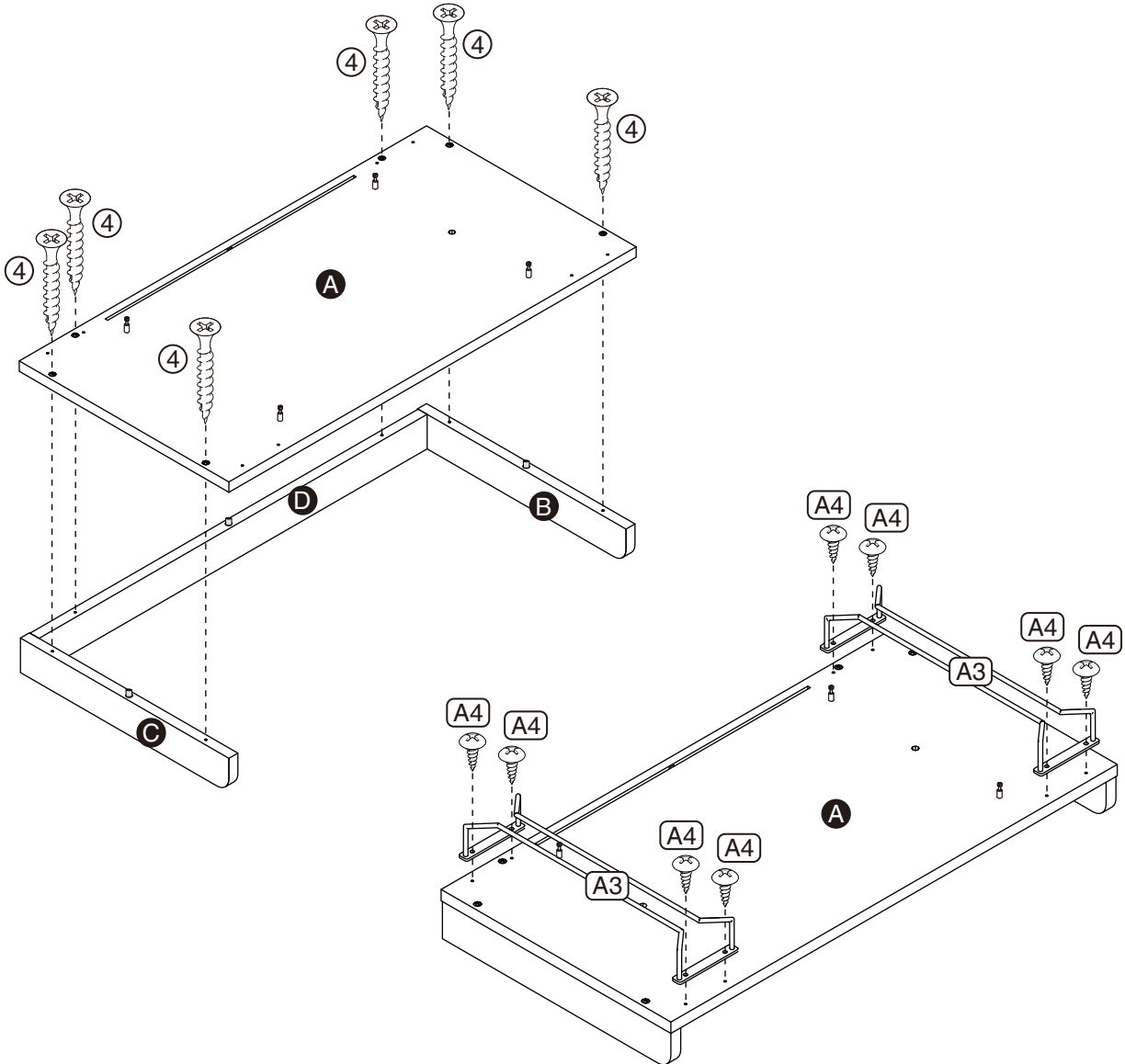
Hardware **4** x6PCS

Accessory **A3** x2PCS

Accessory **A4** x8PCS



The top and front is based off the orientation of the product.

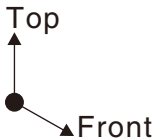
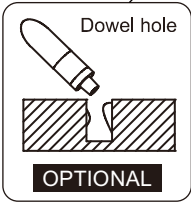
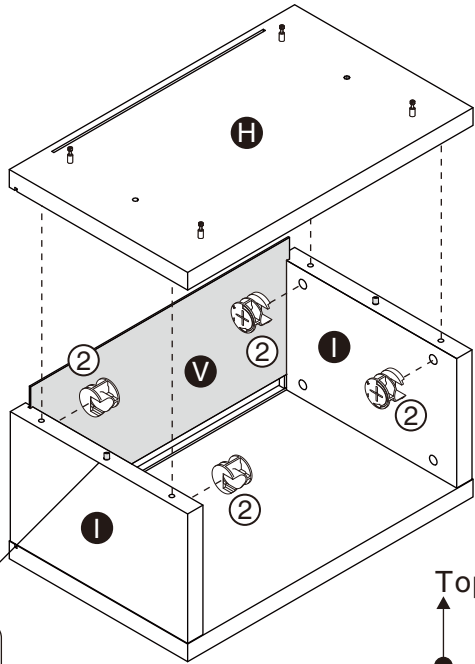
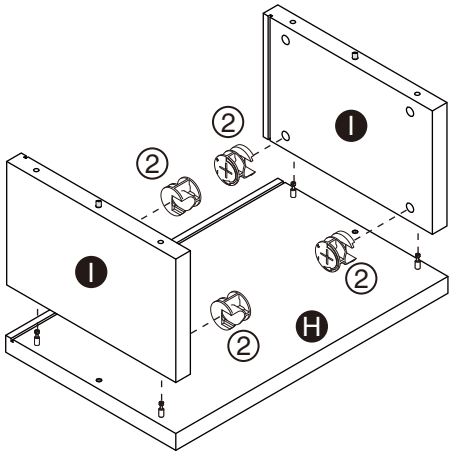
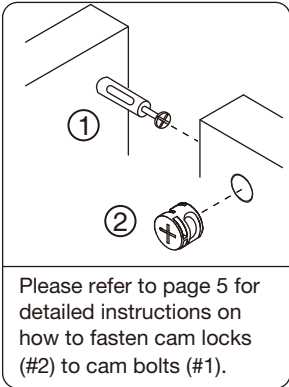


ASSEMBLY INSTRUCTIONS

4

- Part **H** x2PCS
- Part **I** x2PCS
- Part **V** x1PC

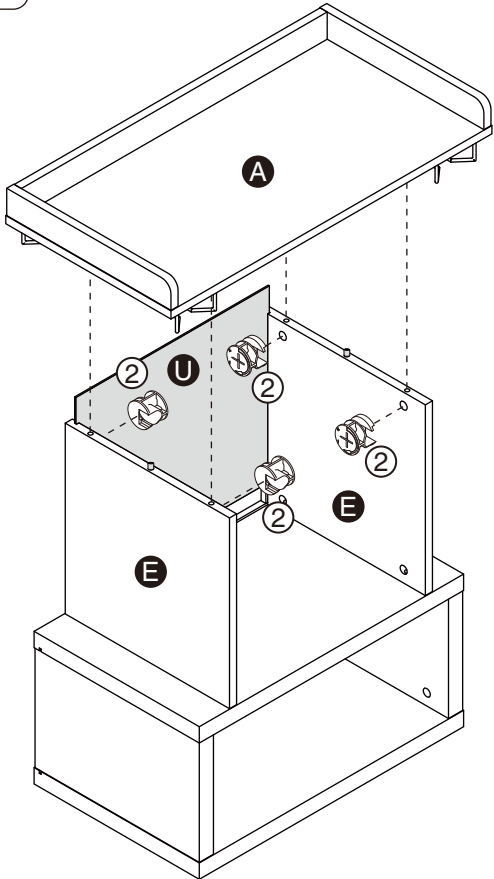
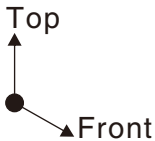
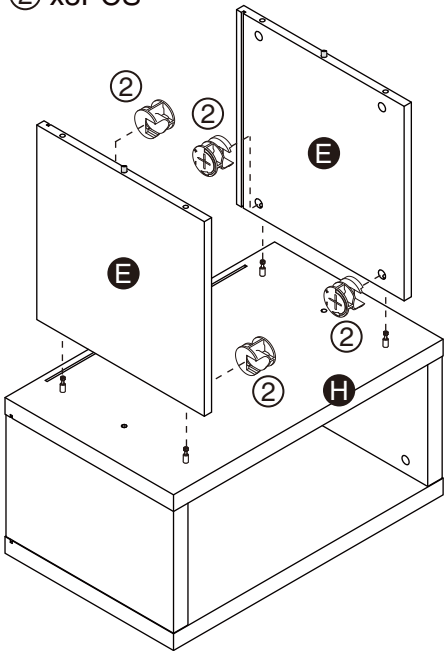
Hardware **2** x8PCS



5

- Part **E** x2PCS
- Part **U** x1PC

Hardware **2** x8PCS



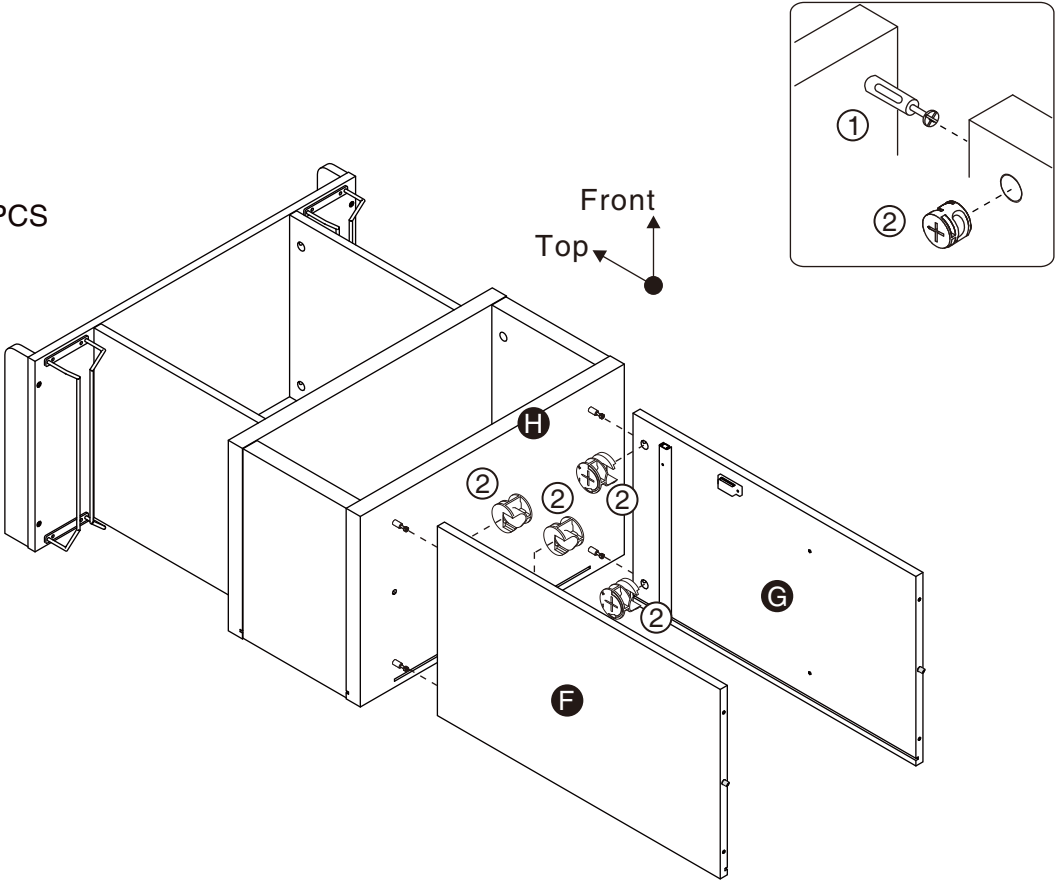
ASSEMBLY INSTRUCTIONS

6

Part **F** x1PC

Part **G** x1PC

Hardware **②** x4PCS



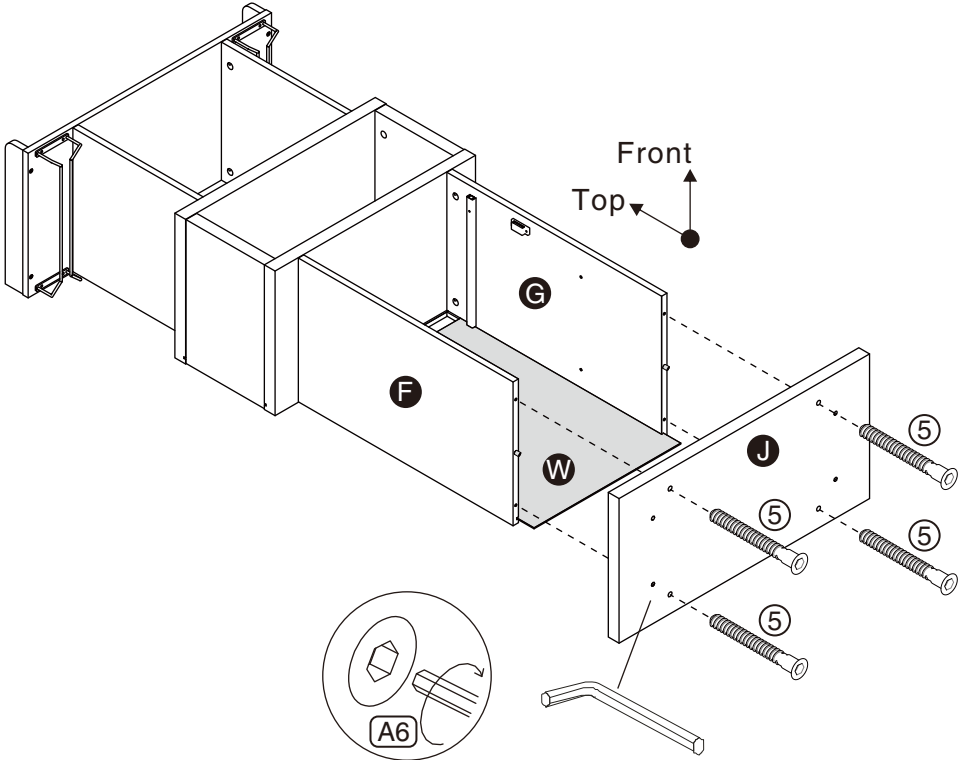
7

Part **J** x1PC

Part **W** x1PC

Hardware **⑤** x4PCS

Accessory **A6** x1PC

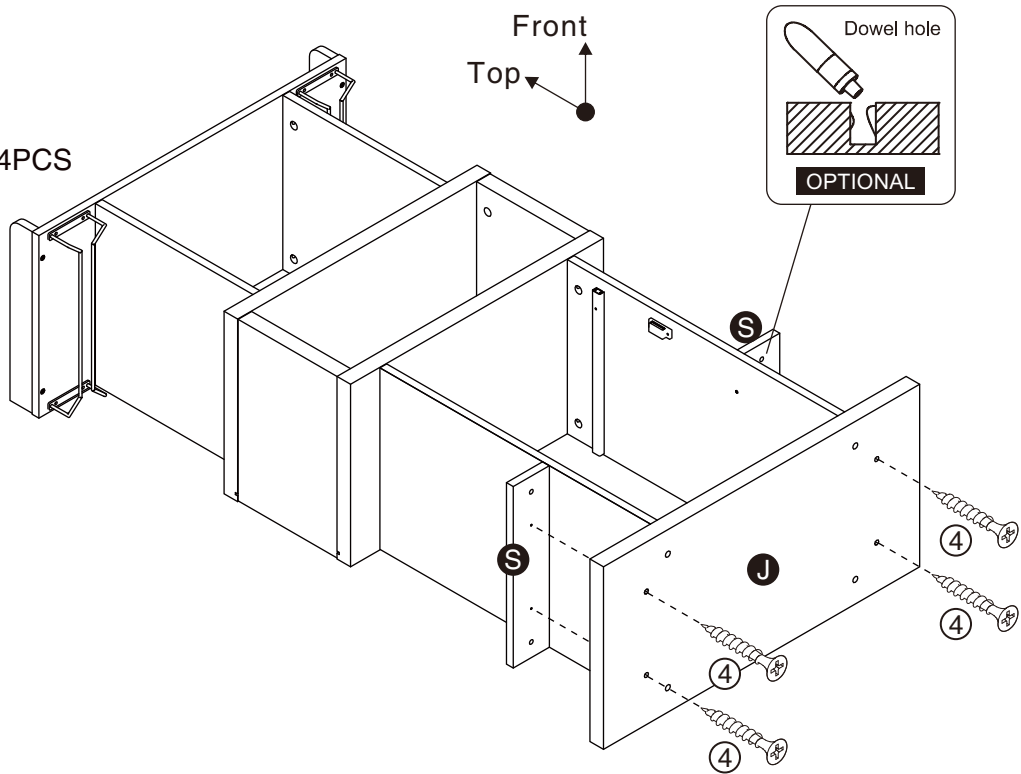


ASSEMBLY INSTRUCTIONS

8

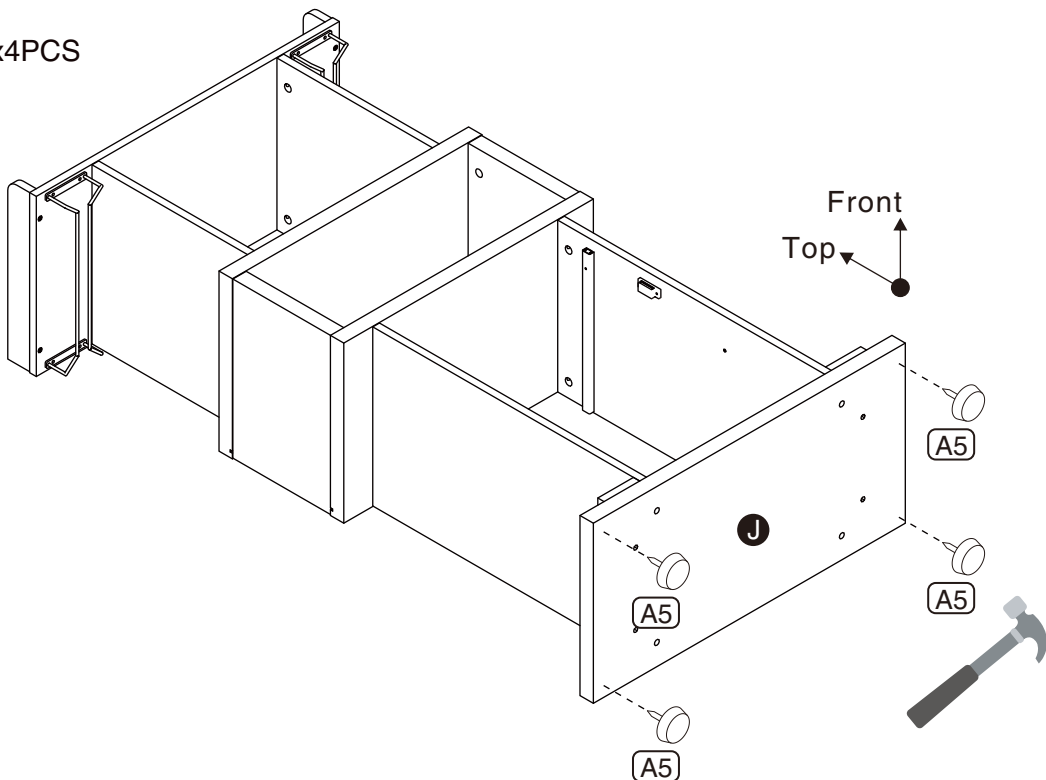
Part **S** x2PCS

Hardware **4** x4PCS



9

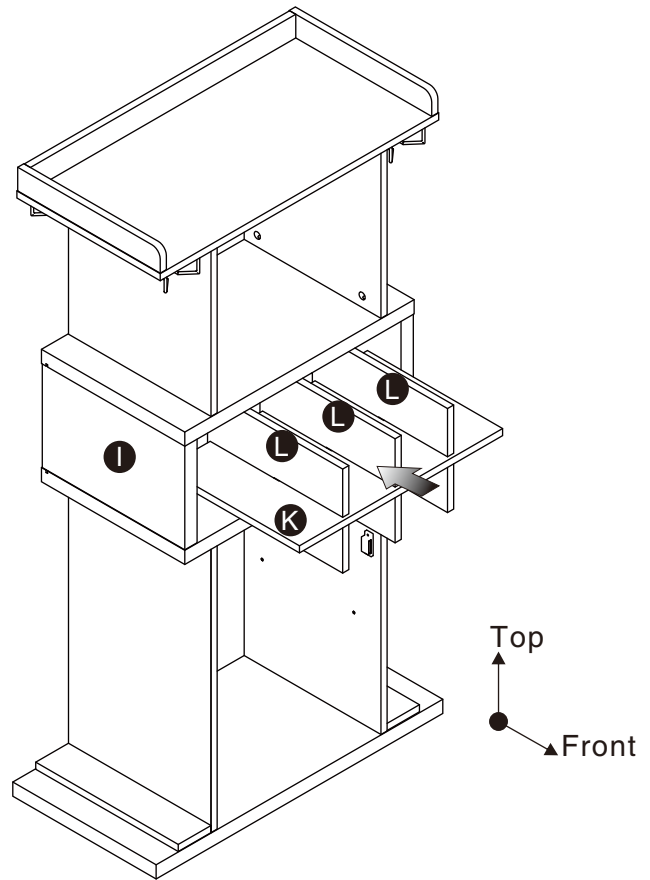
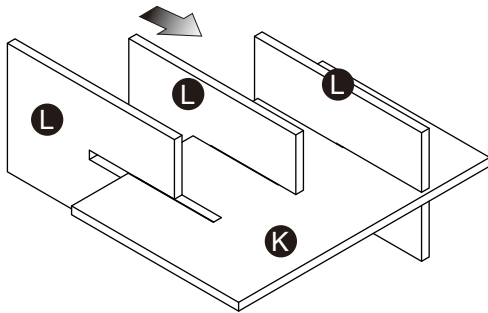
Accessory **A5** x4PCS



ASSEMBLY INSTRUCTIONS

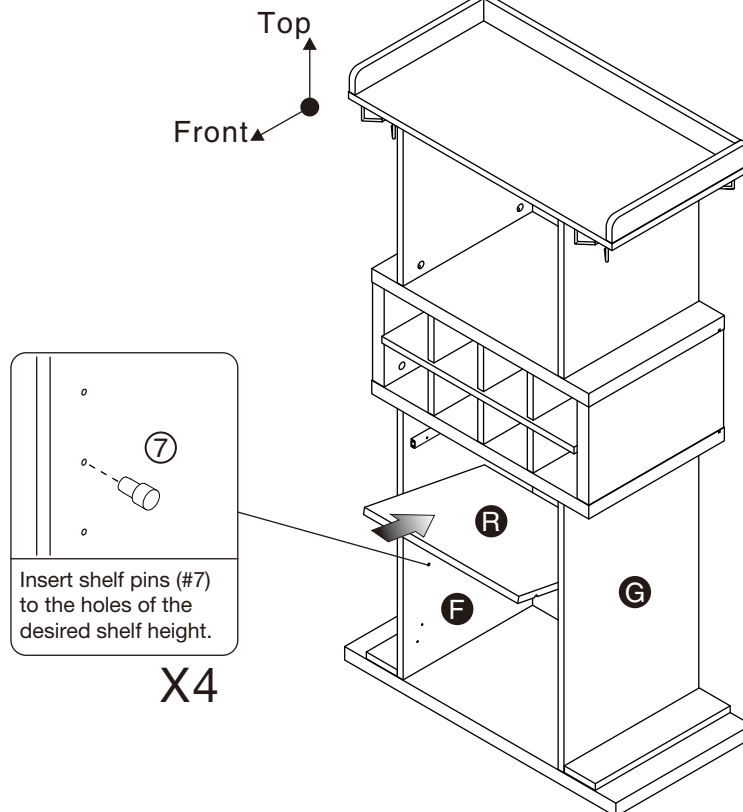
10

Part **K** x1PC
Part **L** x3PCS



11

Part **R** x1PC
Hardware **7** x4PCS

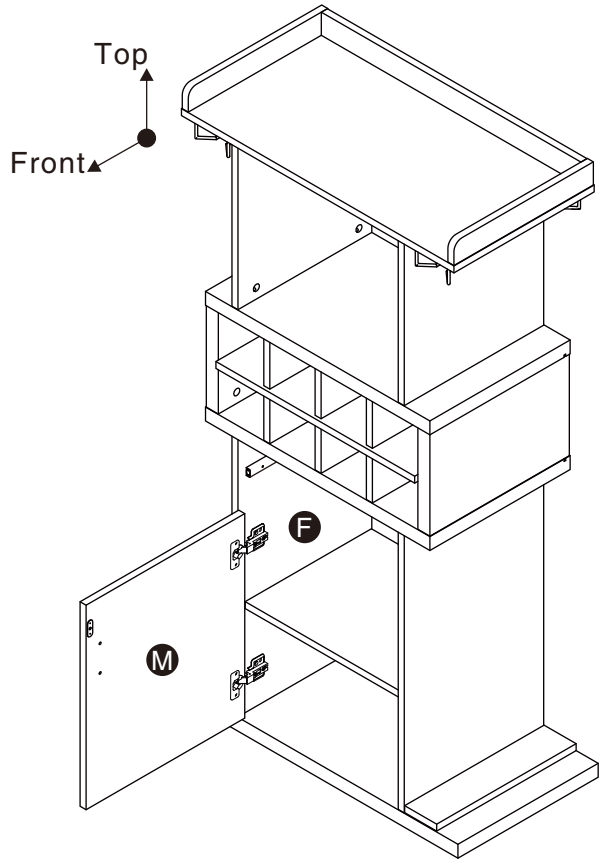
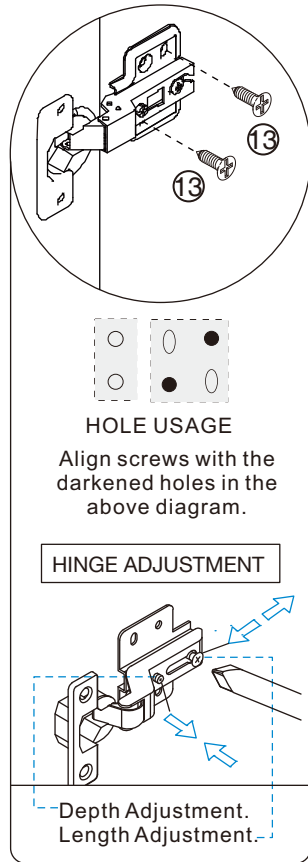


ASSEMBLY INSTRUCTIONS

12

Part **M** x1PC

Hardware **13** x4PCS



13

Part **N** x1PC

Part **O** x1PC

Part **P** x1PC

Part **Q** x1PC

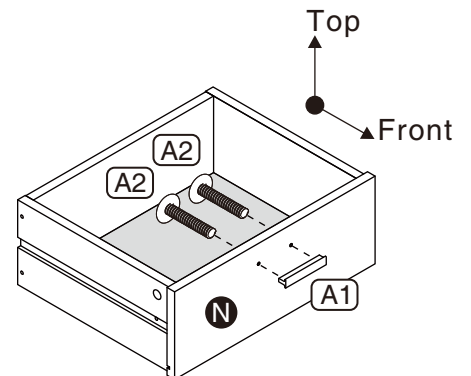
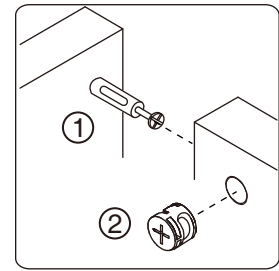
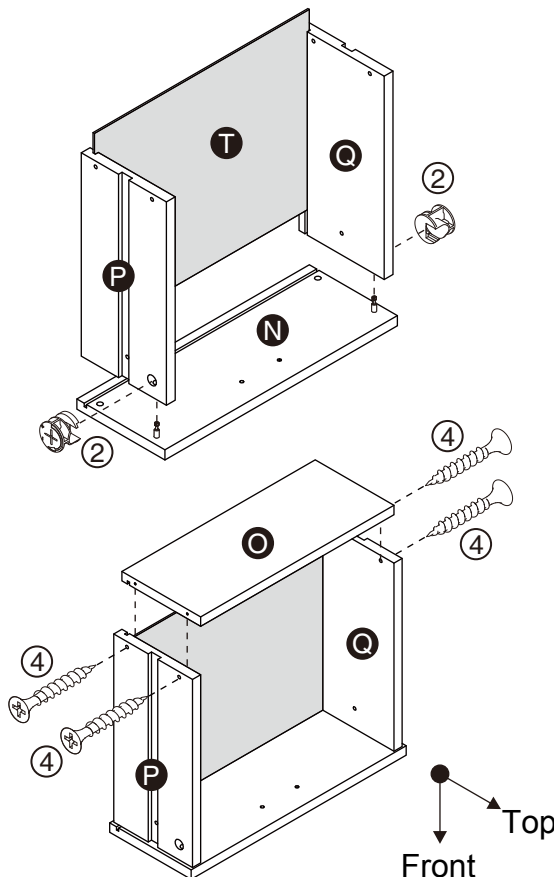
Part **T** x1PC

Hardware **2** x2PCS

Hardware **4** x4PCS

Accessory **A1** x1PC

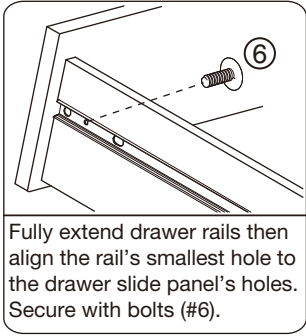
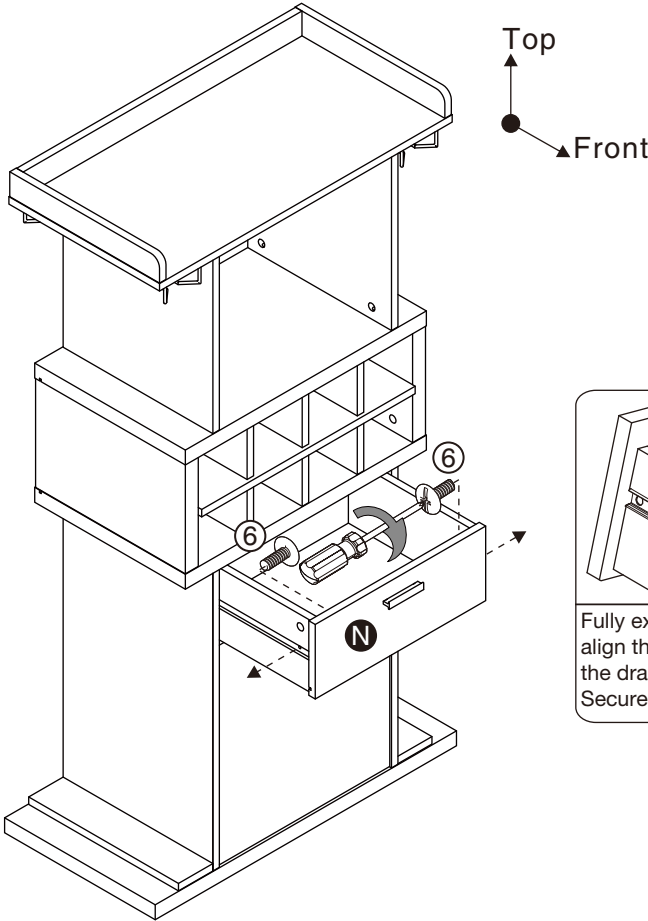
Accessory **A2** x2PCS



ASSEMBLY INSTRUCTIONS

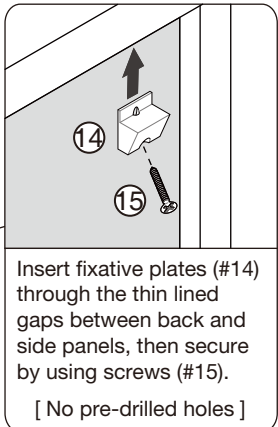
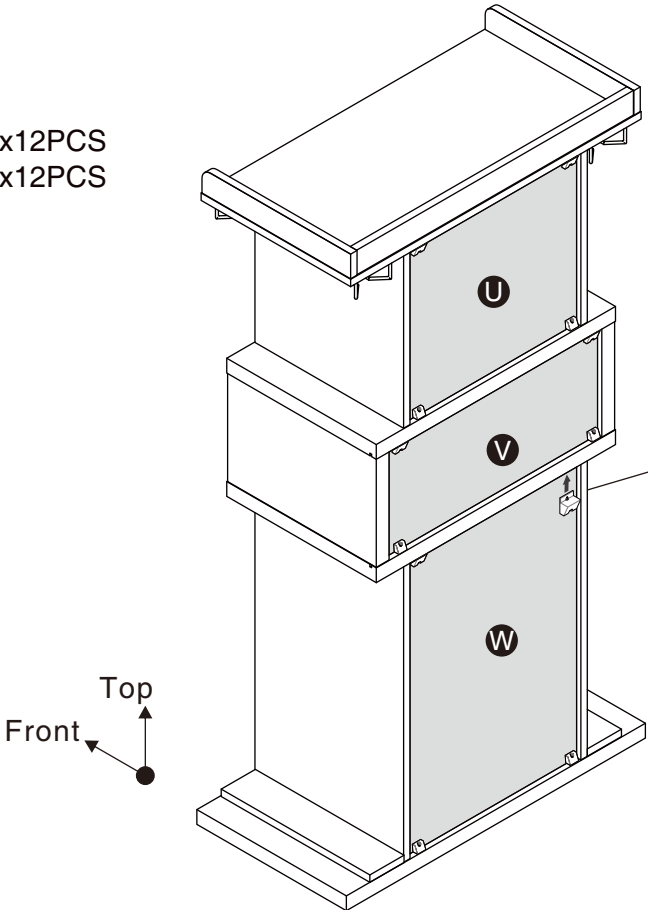
14

Hardware ⑥ x2PCS



15

Hardware ⑭ x12PCS
Hardware ⑮ x12PCS

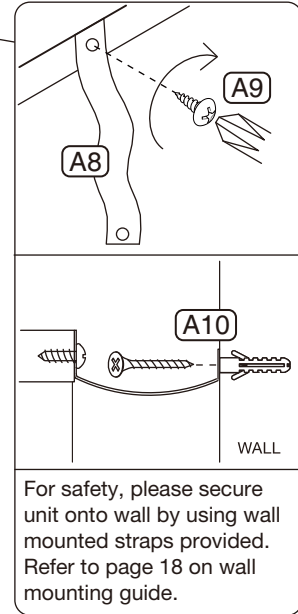
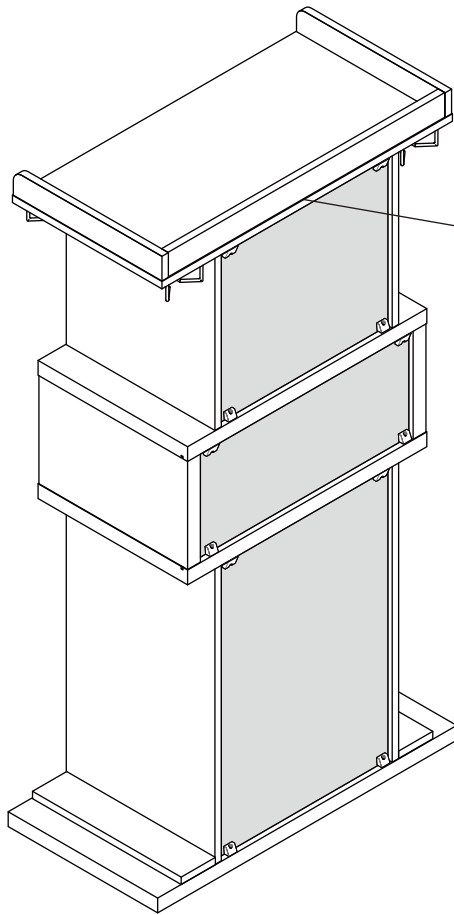
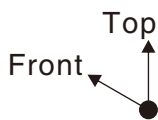


X12

ASSEMBLY INSTRUCTIONS

16

- Accessory **A8** x1PC
- Accessory **A9** x1PC
- Accessory **A10** x1SET



17

ASSEMBLY COMPLETED

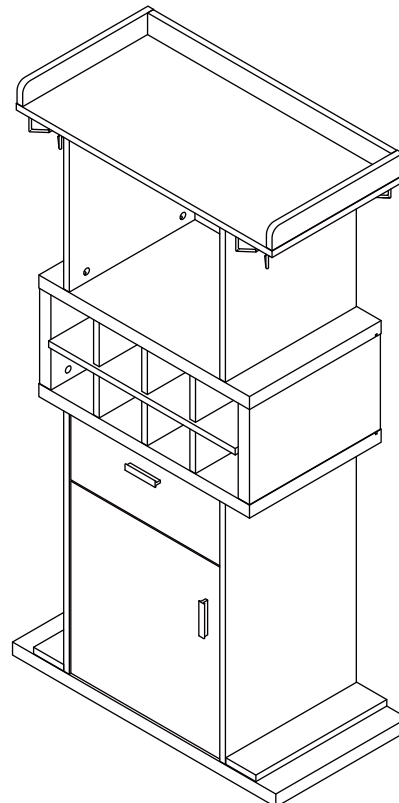


Please ensure the furniture rests on an even and flat surface. If the product wobbles or feels loose, double-check all bolts and/or screws are properly tightened and secured.



Keep this handy!

Please retain this instruction manual and any order-related information for future reference.



A Guide to - Wall Mounting & Fixings

Important note:

If plastic wall plugs are supplied with your product:



- these are only suitable for use in masonry walls.

If you are in any doubt about the correct wall plugs for your wall, seek professional advice.

Failure of the product due to using incorrect fixings is the responsibility of the installer.



Important: When drilling into walls always check that there are no hidden wires or pipes etc.

Make sure that the screws and wall plugs being used are suitable for supporting your unit. Consult a qualified tradesperson if you are unsure.

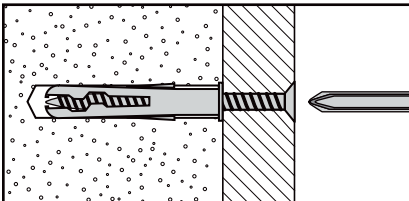
Hints:

- 1: General rule:** Always use a larger screw and wall plug if you are not sure.
- 2:** Ensure you use the recommended drill bit to match the wall plug and hole size.
- 3:** Ensure you drill the hole horizontally, do not force the drill or enlarge the hole.
- 4:** Take extra care when drilling high walls, ceilings and ceramic tiles. Ensure wall plugs are inserted beyond the thickness of the ceramic tiles to avoid the tiles splitting or cracking.
- 5:** Ensure wall plugs are well fitted and are a tight fit in the drilled hole.

Types of walls

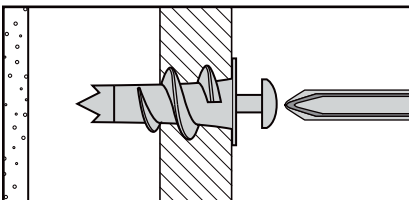
You can use one of the following types of wall plug if your walls are made of brick, breeze block, concrete, stone or wood.

No.1 "General Purpose" wall plug



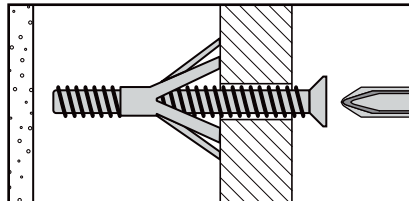
Generally aerated blocks should not be used to support heavy loads, use a specialist fitting in this case. For light loads, general purpose wall plugs can be used.

No.2 "Plasterboard" wall plug



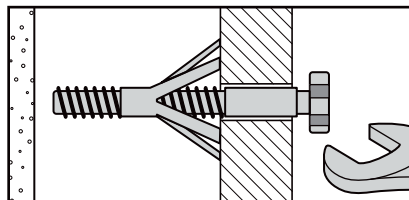
For use when attaching light loads on to plasterboard partitions.

No.3 "Cavity Fixing" wall plug



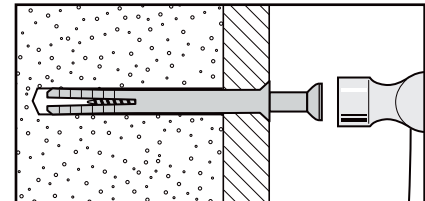
For use with plasterboard partitions or hollow wooden doors.

No.4 "Cavity Fixing-Heavy Duty" wall plug



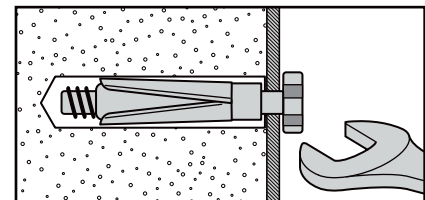
For use when fitting or supporting heavy loads such as shelving, wall cabinets and coat racks.

No.5 "Hammer Fixing" wall plug



For use with walls stuck with plasterboard. The hammer fixing allows it to be fixed to the wall rather than the plasterboard. Always check the fixing is secure to the retaining wall.

No.6 "Shield Anchor" wall plug Heavy loads



For use with heavier loads such as TV & HiFi speakers and satellite dishes etc.



Care & Maintenance

Safety: Always check the fitting and location to ensure your safety in and around the home.

Fitting: From time to time check the fitting to ensure the wall plugs or screws do not become loose.