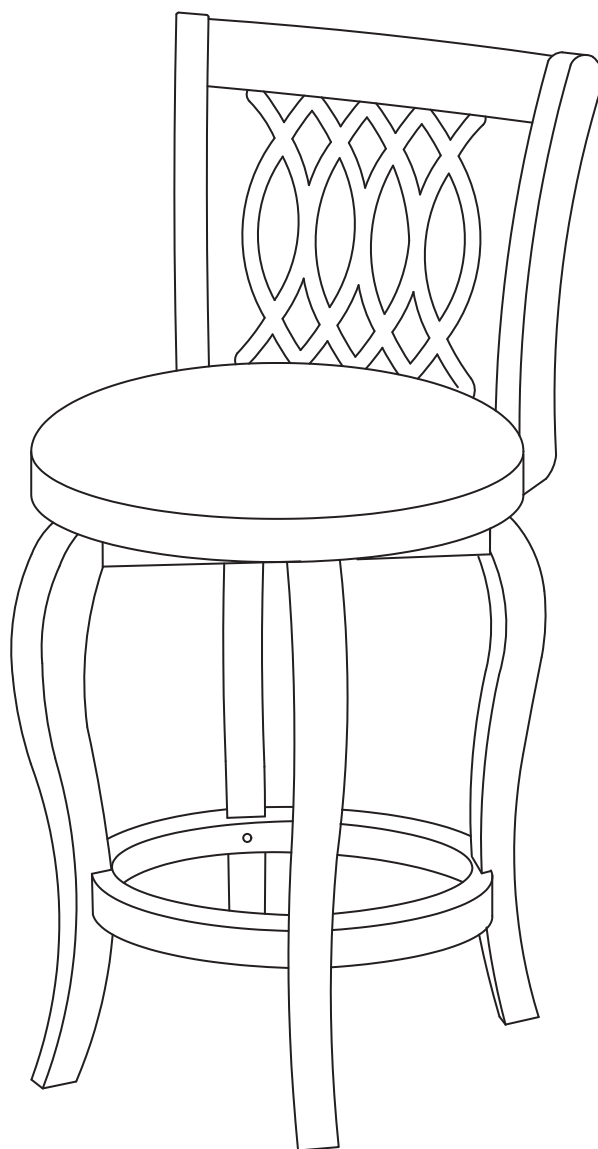
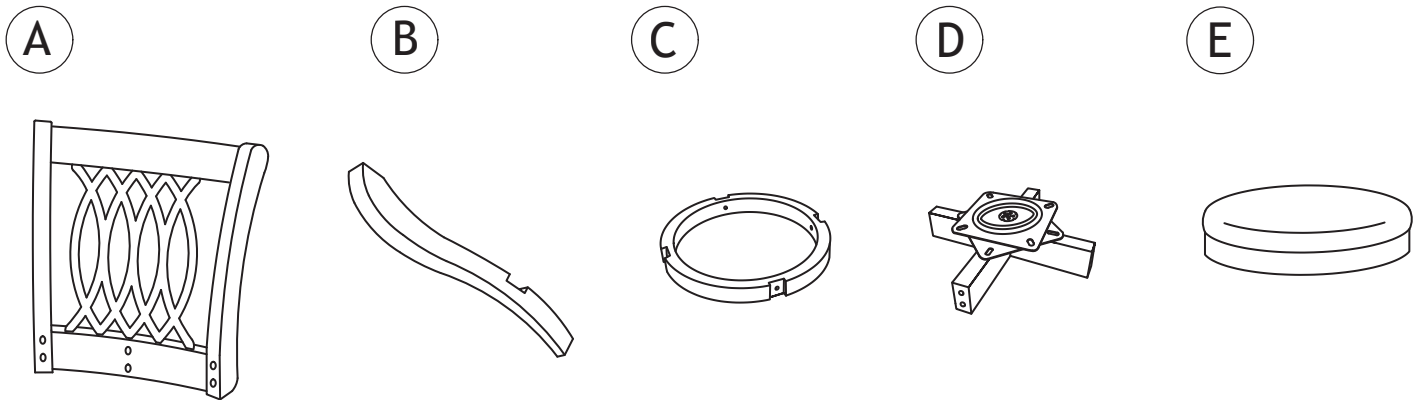


ASSEMBLY INSTRUCTIONS



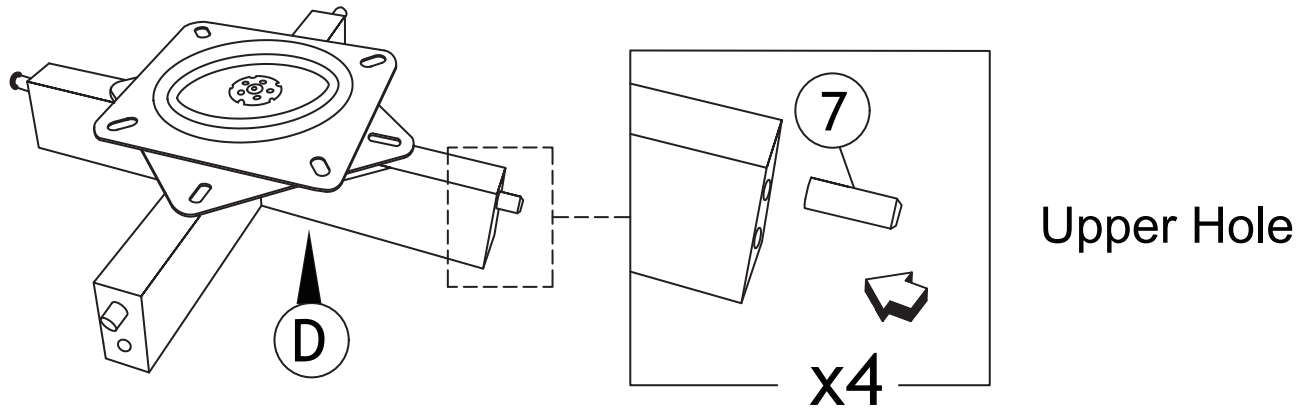
Read this instruction carefully. Refer hardware and furniture parts list for guidance. Be sure all parts are complete before assembling. Place all wooden furniture part on a clean and flat soft surface to prevent scratches. Refer steps provided as assembling guide.

PART LIST		
ITEM	DESCRIPTION	QTY
A	Backrest	1 PC
B	Leg	4 PCS
C	Footrest	1 PC
D	X-cross with Swivel Plate	1 PC
E	Cushion with Apron	1 PC

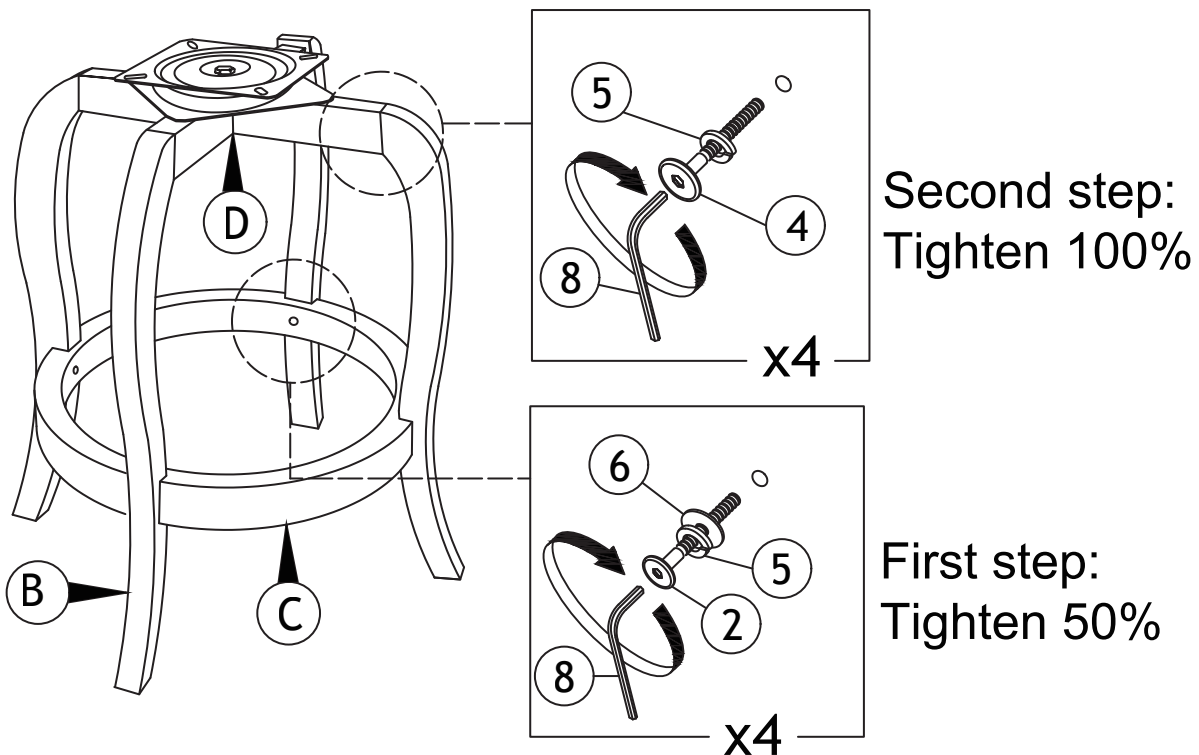


HARDWARE LIST		
ITEM	DESCRIPTION	QTY
1	Gold JCBC Screw M6 x 25mm	4 PCS
2	Black JCBC Screw M6 x 35mm	4 PCS
3	Black JCBC Screw M6 x 40mm	6 PCS
4	Gold JCBC Screw M6 x 45mm	4 PCS
5	Spring Washer M6 x 13mm	14 PCS
6	Flat Washer M6 x 16.5mm	10 PCS
7	Wood Dowel M10 x 30mm	4 PCS
8	Allen Key Small M4 x 110mm	1 PC

STEP 1



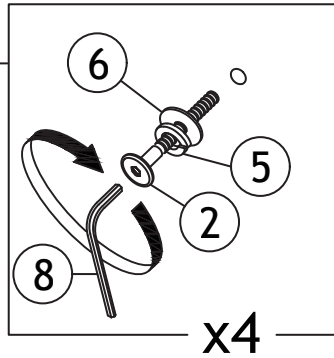
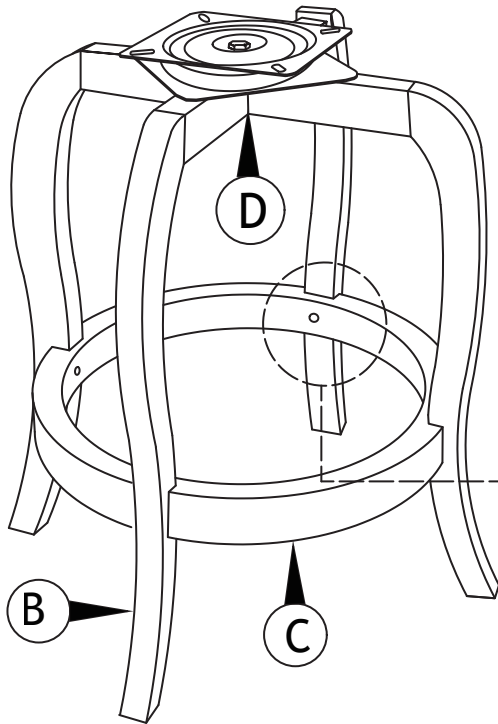
STEP 2



Attach each leg (B) to footrest (C). Insert each individual set of hardware as per picture shown.

Attach each leg (B) to apron (D). Insert each individual hardware as per picture shown.

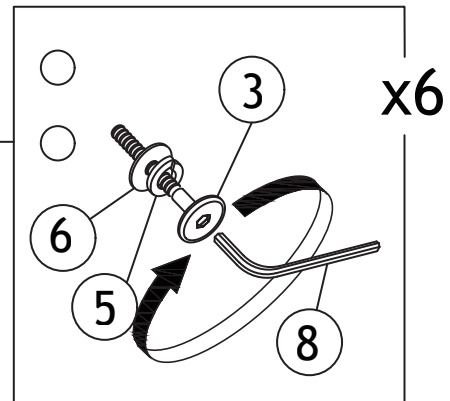
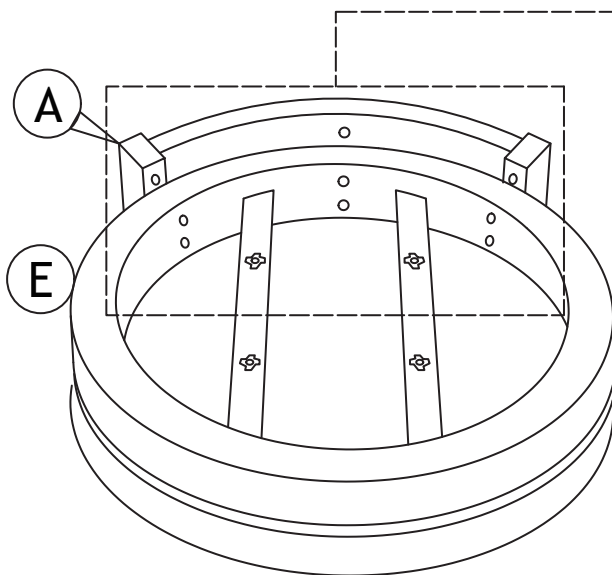
STEP 3



Tighten 100%

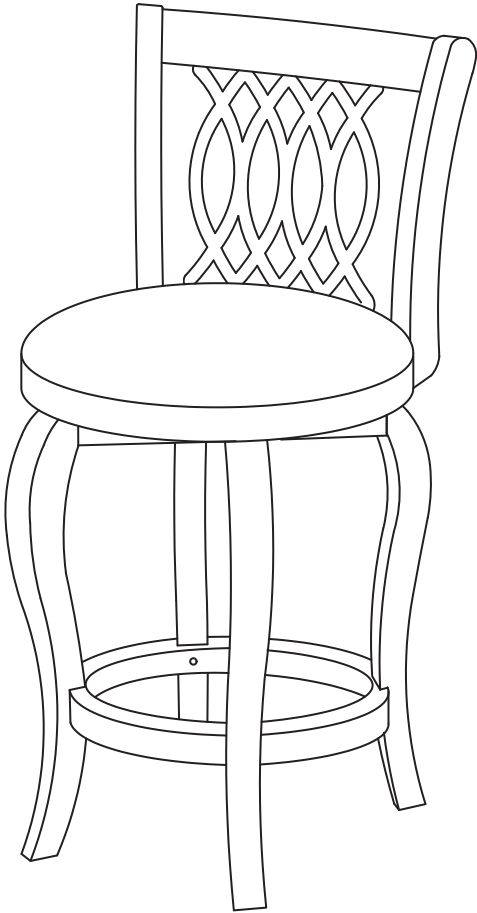
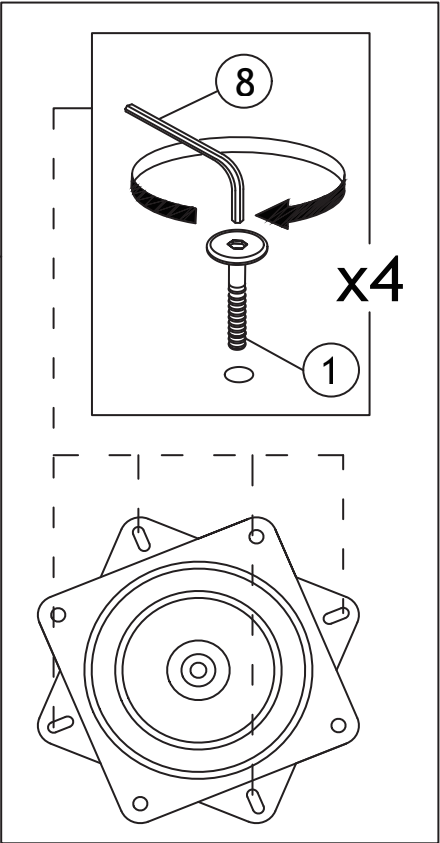
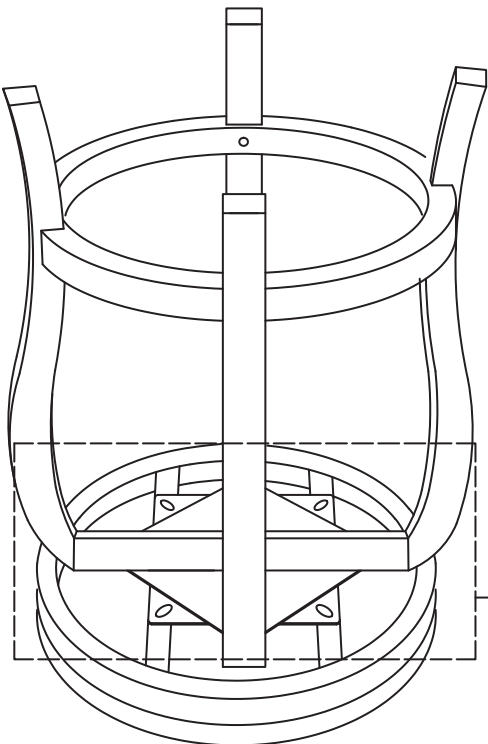
Tighten part(B) with part(C) completely.

STEP 4



Insert 6 sets hardware first, then tighten part (A) with part (E) after alignment is done.

STEP 5



COMPLETE ASSEMBLY