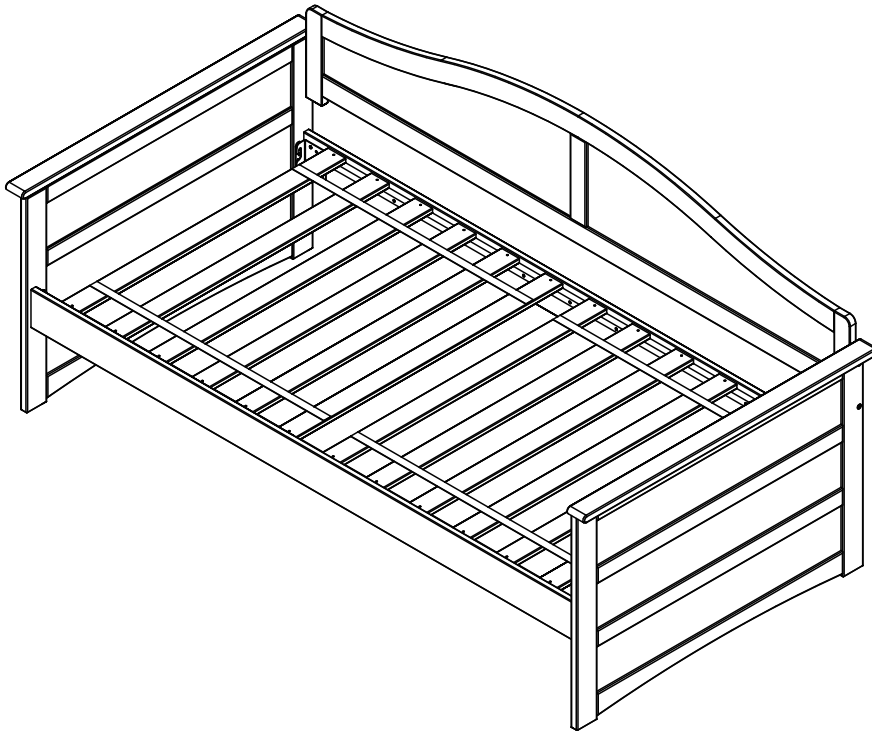
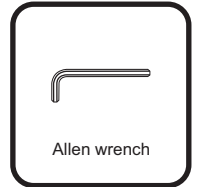


DAYBED

ASSEMBLY INSTRUCTIONS

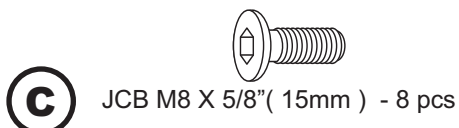
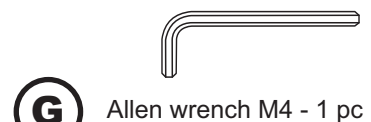
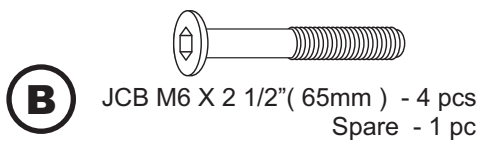
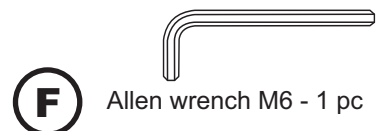
Before assembling your Daybed, please read through these instructions carefully. Familiarize yourself with the different parts.

ATTENTION! If you receive a damaged or defective item, please contact us.

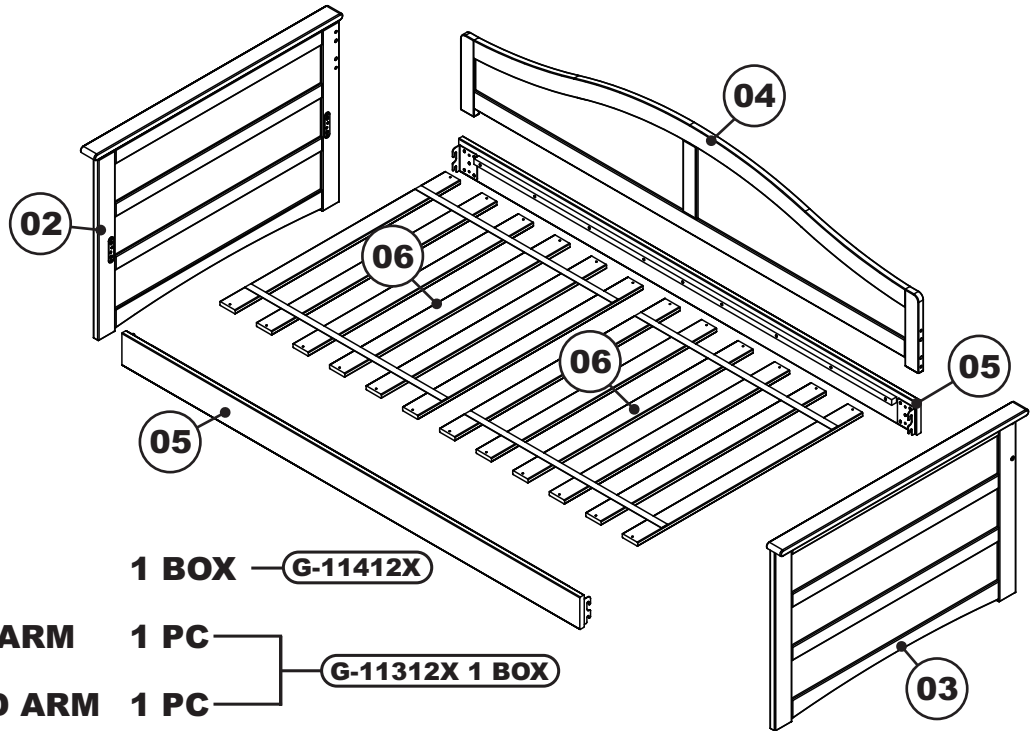


HARDWARE

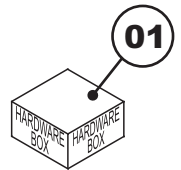
NOTE: WE INCLUDE SPARE HARDWARE IN CASE DAMAGE OCCURS DURING ASSEMBLY.



PARTS LIST

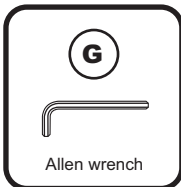
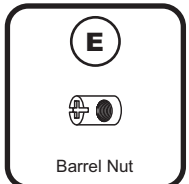
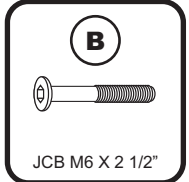
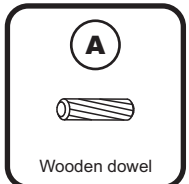
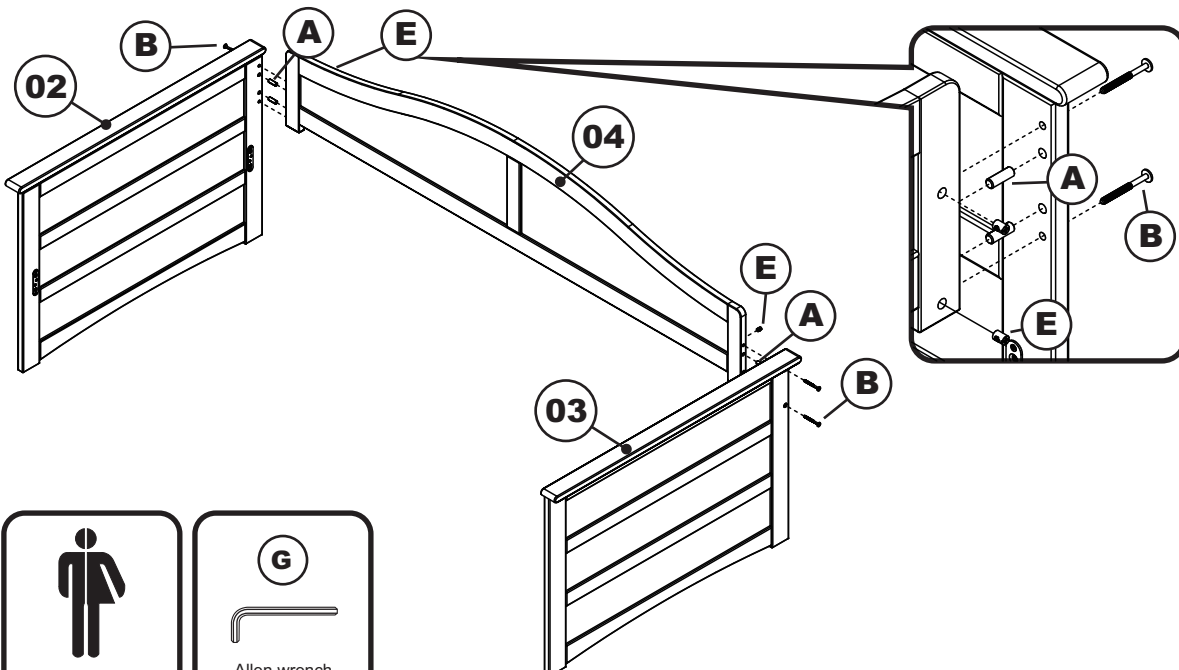


- | | | | |
|-----------|--------------------------|--------------|-----------------------|
| 01 | HARDWARE | 1 BOX | G-11412X |
| 02 | LEFT DAYBED ARM | 1 PC | G-11312X 1 BOX |
| 03 | RIGHT DAYBED ARM | 1 PC | |
| 04 | BACK PANEL | 1 PC | G-11412X 1 BOX |
| 05 | FRONT / BACK RAIL | 2 PCS | |
| 06 | SLAT KIT | 2 SET | |



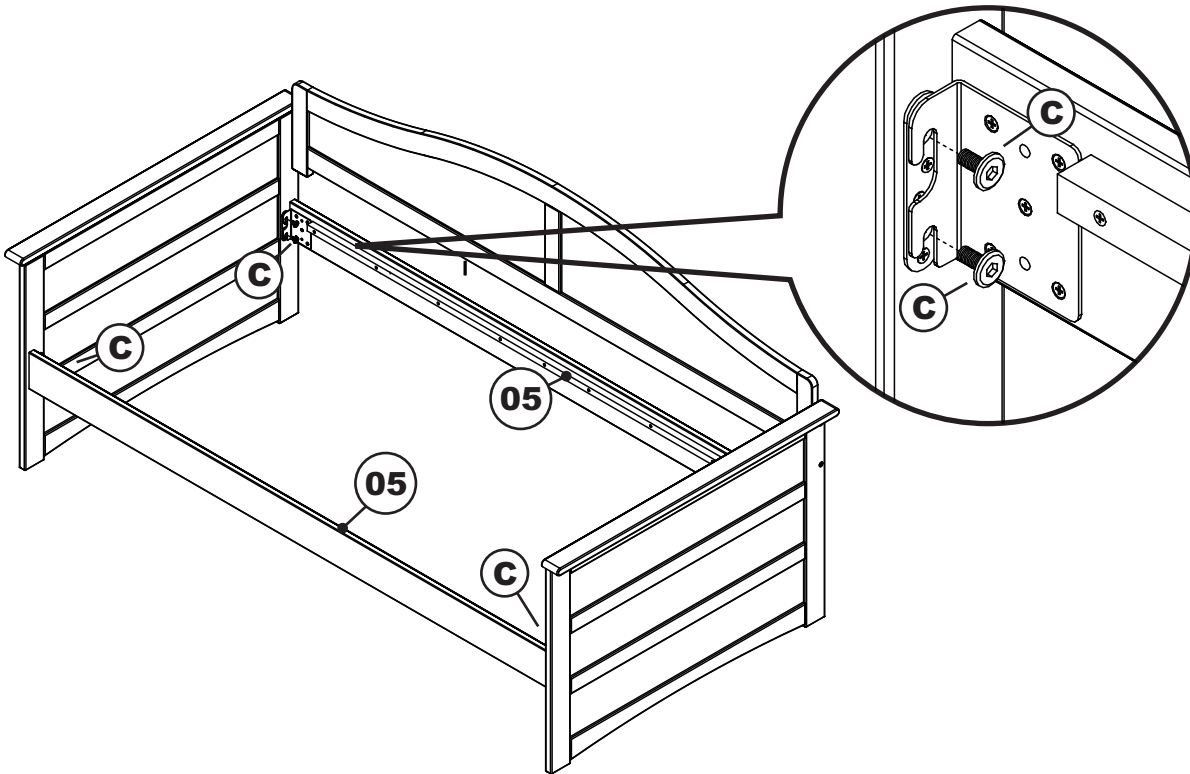
Step 1

Attach the back panel (04) to the left and right daybed arm (02)(03), using wood dowels (A), JCB M6 X 2 1/2"(B) and barrel nut (E). Tighten with the Allen wrench (G).



Step 2

Attach the front and back rail (05) to the Daybed arms as shown, using JCB M8 X 5/8" (C). Tighten with the Allen wrench (F).



Adult assembly

C



JCB M8 X 5/8"

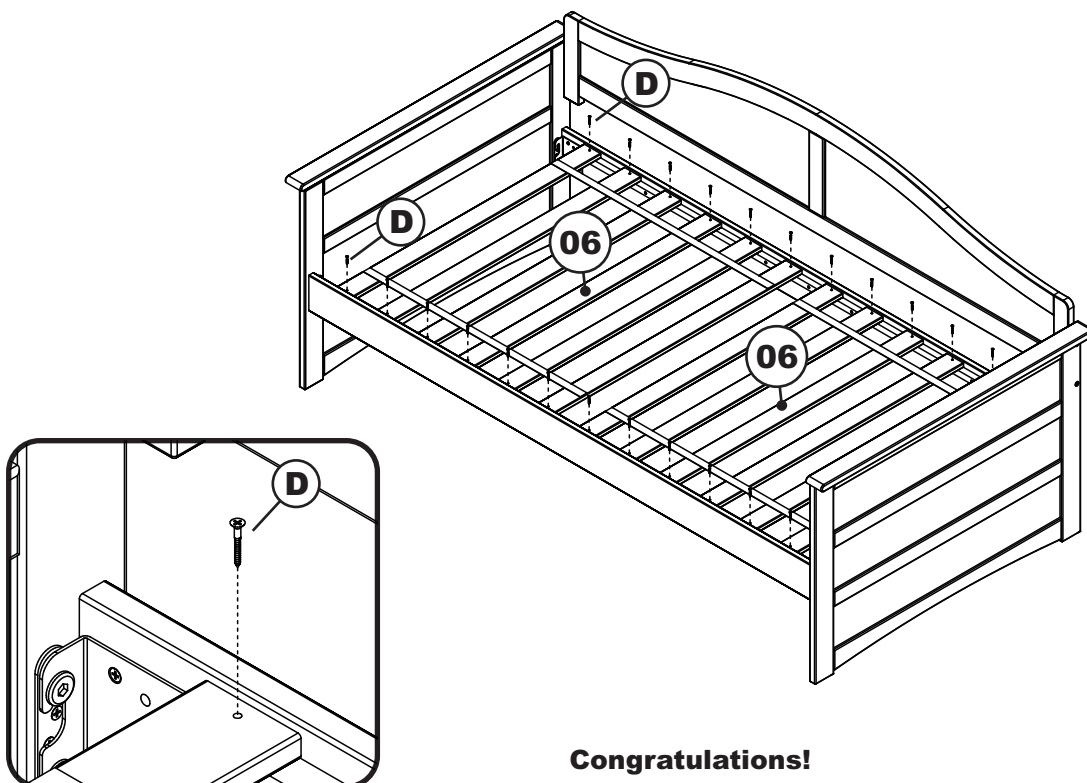
F



Allen wrench

Step 3

Lay the slat kit (06) onto the rail assembly as shown, using wood screw (D). Tighten with the Phillips head screwdriver (Customer supplied).



Adult assembly

D



Wood screw

Phillips screwdriver



Customer supplied

Congratulations!

Your Daybed is now ready for use.

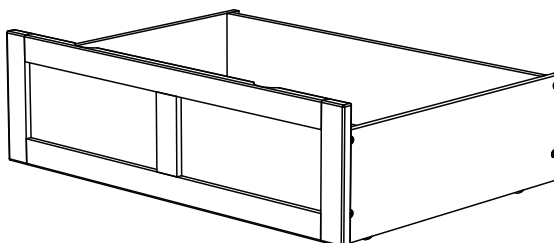
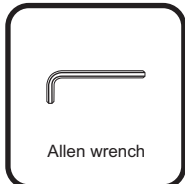
We recommend that you periodically check that all screws are tight and all parts are secure to ensure lasting safety.

BED DRAWER

TWIN/FULL ASSEMBLY INSTRUCTIONS

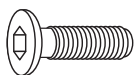
Before assembling your bed drawer, please read through these instructions carefully, familiarize yourself with the different parts.

ATTENTION! If you receive a damaged or defective item, please contact us.



NOTE: WE INCLUDE SPARE HARDWARE IN CASE DAMAGE OCCURS DURING ASSEMBLY.

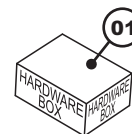
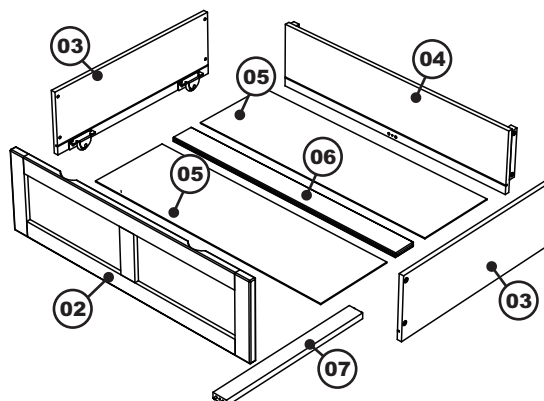
HARDWARE



- (A)** JCB M6 X 1" (25mm) - 16 pcs
Spare - 1 pc
- (B)** Wood Screw X 1 1/4" (32mm) - 4 pcs
Spare - 1 pc
- (C)** Allen wrench - 1 pc
Spare - 1 pc

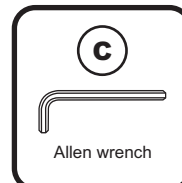
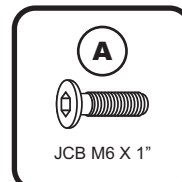
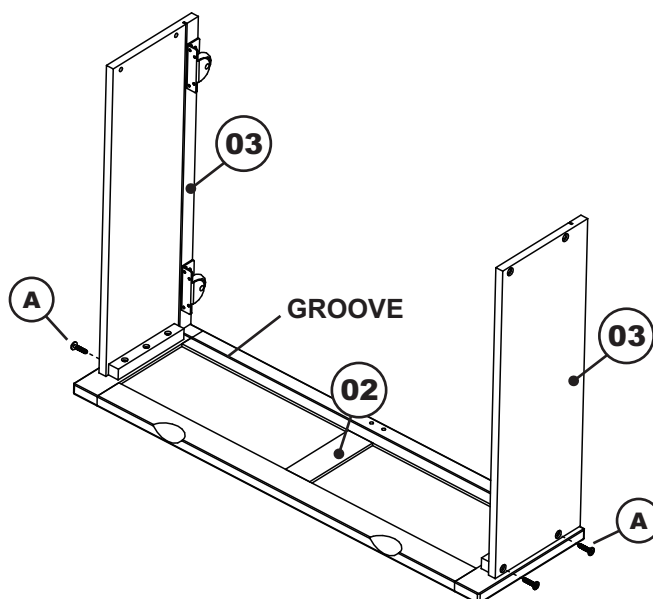
PARTS LIST

- | | | |
|-------------|------------------------------|--------------|
| (01) | HARDWARE | 1 BOX |
| (02) | DRAWER FACE | 1 PC |
| (03) | DRAWER SIDE | 2 PCS |
| (04) | DRAWER BACK | 1 PC |
| (05) | DRAWER BOTTOM | 2 PCS |
| (06) | DRAWER MIDDLE | 1 PC |
| (07) | DRAWER CENTER SUPPORT | 1 PC |



Step 1

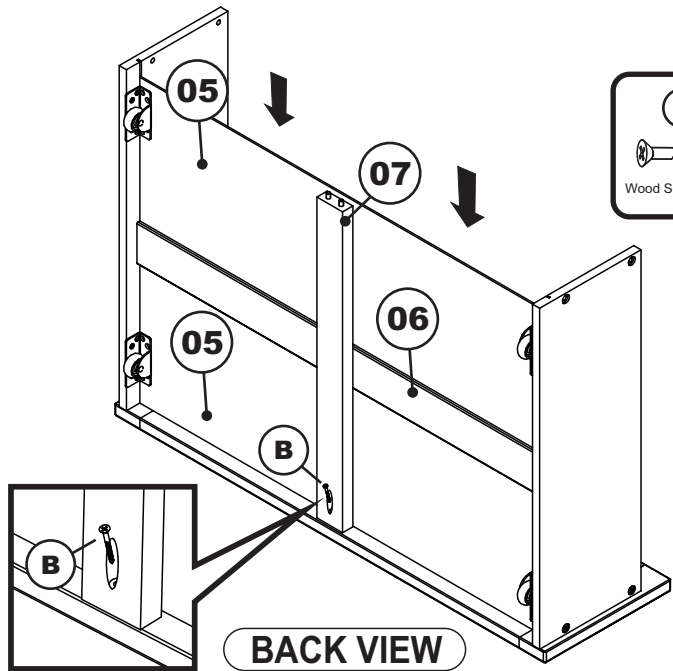
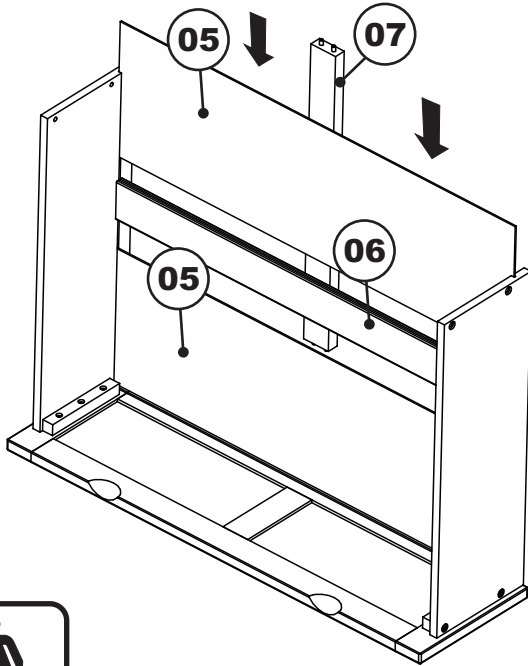
Lay the drawer face (02) on smooth, flat surface so the drawer bottom (05) groove is facing upwards. Attach the drawer sides (03) to drawer face (02) using JCB M6 X 1" (A). Align groove inside drawer side with groove in drawer face. Tighten with Allen wrench (C).



TWIN/FULL

Step 2

Guide the drawer bottoms (05) and drawer middle (06) in carefully so that they align inside grooves. Be sure it fits fully into the face and side groove before attaching the drawer back (04). Attach drawer center support (07) to bottom of drawer face using wood screw 1 1/4" (B). Tighten with Phillips head screw driver. (Customer supplied)

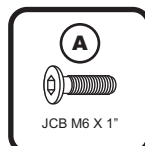
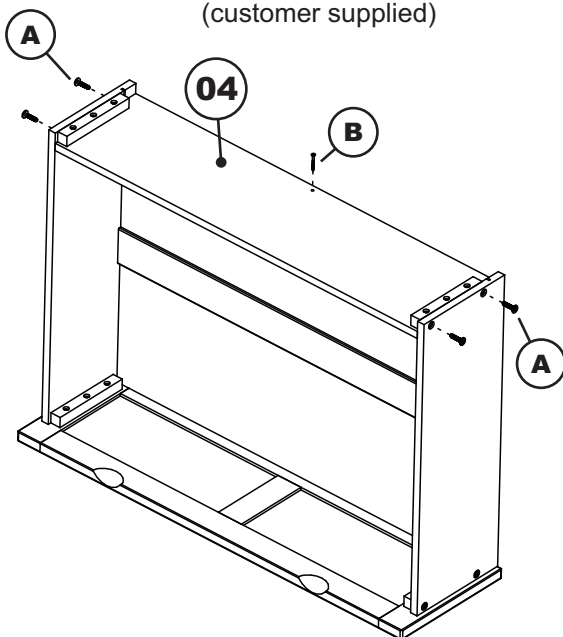


BACK VIEW

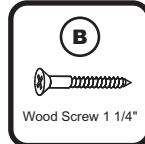


Step 3

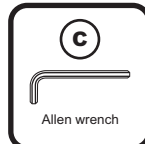
Attach drawer back (04) to bed drawer assembly as shown. Use JCB M6 X 1" (A). Tighten with Allen wrench (C). Use wood screws 1 1/4" (B) to finish attaching drawer center support (07) to drawer back (04). Tighten with Phillips head screw driver. (customer supplied)



JCB M6 X 1"



Wood Screw 1 1/4"



Allen wrench

Congratulations!

Your bed drawer is now ready for use.
We recommend that you periodically recheck that all screws are tight to ensure lasting safety.

