

7059-1BK  
OPERATIONS MANUAL

4MODERN  
HOME



**Where to Place Your Outdoor Wall Lights**

If you have one light next to your entryway or garage door, then it should be 1/3 of the height of the door. If you will be placing one light on each side of the door, then the lights should be 1/4 of the height of the door. To do this, measure from the floor to the top of your door, then divide by 4 for two lights or 3 for one light. For example, if your door is 80" tall, divide by 4, and buy two lights that are each 20" tall. The lights should also be placed 66" from the floor or ground to properly illuminate the lock and handle. Lights should also be placed 6" from the edge of the door. If you choose to have only one light, make sure it is placed on the side of the door closest to the door handle.

MADE IN CHINA

**Assembly & Installation Instructions**

Dear Customer :

Thank you for choosing 4modernhome!

We appreciate your business. Should you have **any questions** or encounter **any issues**, please don't hesitate to contact us. You can reach us via email at [support@4modernhome.com](mailto:support@4modernhome.com) or by calling 469-312-6428. Our team is dedicated to ensuring your complete **satisfaction** with your purchase. We value your feedback, as it helps future customers in making informed decisions. We encourage you to share your experience by leaving a brief product review on the platform where you made the purchase. Once again, thank you for choosing 4modernhome!

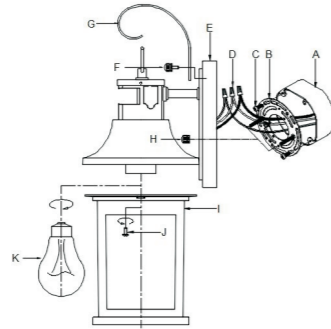
Best regards!

[4Modern home/Support Team]

**Warning:** If any special control devices are used with this fixture, follow the instructions carefully to assure full compliance with N.E.C.requirements. If there are any questions, contact a qualified electric contractor.

**Warning:** California Residents Proposition 65 This product contains lead, a chemical known to the state of California to cause cancer and birth defects or other reproductive harm. Do not place the product in your mouth. Wash your hands after handling this product.

**Caution:** It is highly recommended to get an electrician to install this light. Please make sure to turn the electricity off at the main circuit breaker before beginning installation. All glass is fragile. Use care when handling glass component(s) and/or lamp(s).



Applicable bulb type: A60,  
T45, ST64 ...

Helpful Tip: This product is equipped with a dusk-to-dawn sensor. Please pay attention to the installation height to ensure that no objects such as eaves cover the sensor, as this may cause the light to remain on constantly.



**WIRE CONNECTION DIAGRAM**

Wires meeting safety standards are required to connect the electrical circuit.

**CAUTION:** Risk of fire



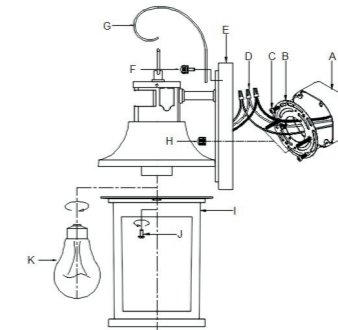
Please read all instructions carefully. Before you proceed to install, make sure that the power supply is turned off and remains off until installation is completed.

**PARTS INCLUDED**

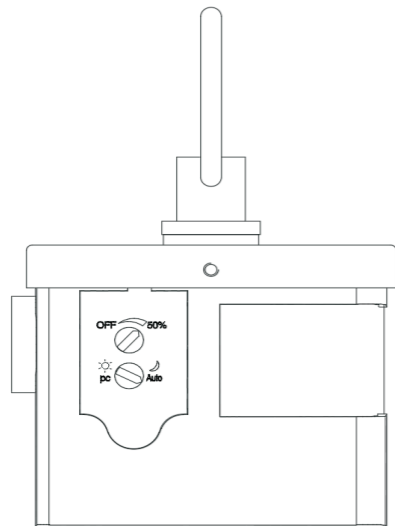
Code	Part Description	QTY
A	Junction box	0
B	Wire caps	3
C	Mounting bracket	1
D	Wire caps	2
E	Wall seat	1
F	Nuts	1
G	Decorative bent strip	1
H	Nuts 1	2
I	Lamp door	1
J	Mounting screws	2
K	A60 Light bulb	0



**7059-1BK installation steps:**


Step 1: unscrew screw F from the lamp body and remove the hanging plate C;  
Step 2: Install the hanging plate C lock on the junction box A with screw D;  
Step 3: With the terminal B, connect the black, white, ground wire and input line respectively with the lamp body;  
Step 4: Lock the lamp body on the hanging plate C with screw F;  
Step 5: transfer the bulb G knob to the lamp body;  
Installation completed



# MODE SELECTION FOR UPGRADES



 <b>PC</b>	Sun logo is dawn to dusk mode, Automatically turns off the light when it senses daytime and turns on the light at night.
 <b>AUTO</b>	Moon logo is a motion sensor mode, as long as it senses the motion it will turn on the light, in 120 seconds when it does not sense the motion it will automatically turn off the light.

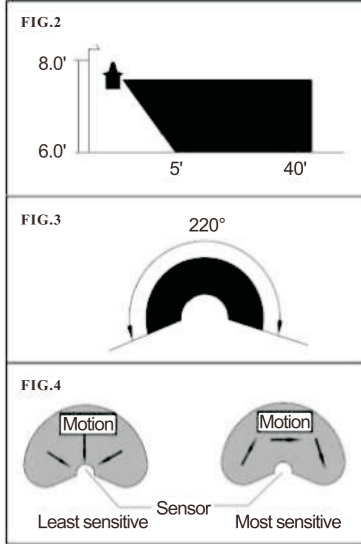
	"OFF-50%" is the brightness adjustment function. When you set it to "OFF", it is in low brightness mode, 30% brightness when no motion is detected. When motion is detected, the light will be 100% bright. When you set it to "50%", it is in low brightness mode, 50% brightness when no motion is detected. When motion is detected, the light will be 100% bright.
---	--

## NOTE

1. When switching modes need 0.5s time to switch
2. Brightness adjustment can only be used in Auto (Motion Sensor Mode).
3. Just after installation, the light will enter the test mode after 20s.

## NOTE:

1. Please contact a licensed electrician to help you if you don't know how to install it.
2. Do not connect electricity until light fixture is fully assembled.
3. It may cause to flicker with non-dimmable light bulbs since the sconce has different brightness, so please choose a incandescent bulb or dimmable led bulb.
4. The sensitivity of the motion sensor will increase as the environmental temperature gets cooler. For best performance, gently clean the lens with a soft cloth every 1 or 2 months to assure maximum sensitivity.
5. For best performance, install fixture at least 6 feet above the ground. At such a height, the lantern will provide a detection distance of up to 40 feet at 77 degrees Fahrenheit. (See Fig.2)
6. The sensor detects across a detection range of 220 degrees. (See Fig.3) The sensor will be more sensitive to motion across its detection path than motion directly towards it. (See Fig.4)
7. To reduce possible nuisances, do not mount the fixture near a heat source like an air conditioner, vent or furnace exhaust, or in a direction facing any reflecting object or other light source.
8. For the longer service life, when installed outdoors or in wet locations, the edge of the wall plate coming in contact with the mounting surface, must be sealed with a latex waterproof caulking to prevent water from entering the outlet box.
9. Make sure all the small accessories are keep away from children when installation.



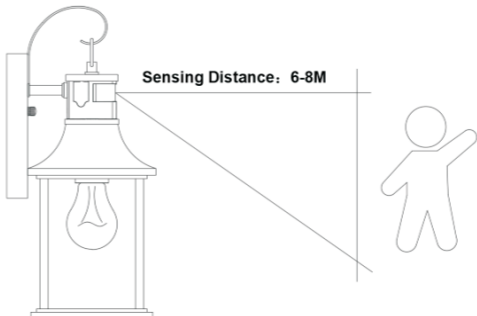
## Troubleshooting

SYMPTOM	Possible Cause	Solution
The light doesn't work in Test Mode	Wall switch or circuit breaker is off. The wiring is mistake.	Turn on a switch or circuit breaker. Check wire connections.
False triggering caused by a heat source, such as a heater or dryer vent, or heated swimming pool.	Wall switch or circuit breaker is off.	Turn on a switch or circuit breaker.
	Light bulb may be dead.	Test the light bulb in a known working light fixture.
	Light bulb is loose.	Tighten the light bulb in the socket.
	Incorrect or loose wire connections.	Check wire connections.
	Too much sunlight is shining into the Dusk-to-Dawn sensor in the early evening.	Relocate fixture away from a western facing wall
Too much light is shining onto the Dusk-to-Dawn sensor due to another light source, such as a street lamp or other light fixture.	Eliminate or turn off other light source, block other light source from shining onto Dusk-to-Dawn sensor, or relocate fixture.	
In Auto mode, the lighting fixture stays on at 100% brightness continuously.	False triggering caused by a heat source, such as a heater or dryer vent, or heated swimming pool.	Eliminate heat source or relocate fixture.
the lighting fixture comes on at 100% brightness for no apparent reason	False triggering caused by a heat source, such as a heater or dryer vent, or heated swimming pool.	Eliminate heat source or relocate fixture.
The lighting fixture comes on during the daytime or too early in the evening	The fixture may be installed in a shaded area, such as under a porch or eave, preventing daylight from shining onto the photocell sensor.	Relocate the fixture.

## Warranty Services

1-Year warranty services are provided for this product, if you have any problems during the warranty period, please contact us.

**Note :** Please use this product accordingly to its intended purpose, do not retrofit or remodeling the product. The warranty does not cover if the failure is caused by the third party product, or falling, or natural disasters.



ELECTRICAL CHARACTERISTICS	
DESCRIPTIONS	SPECIFICATIONS
Input power	120VAC ± 10%, 60Hz
Load Rating	Max 60W incandescent bulb
Detect Range	Max. 12m
Power Consumption	Max. 0.5Watt when standby
Working Temp	-40°C ~ 35°C