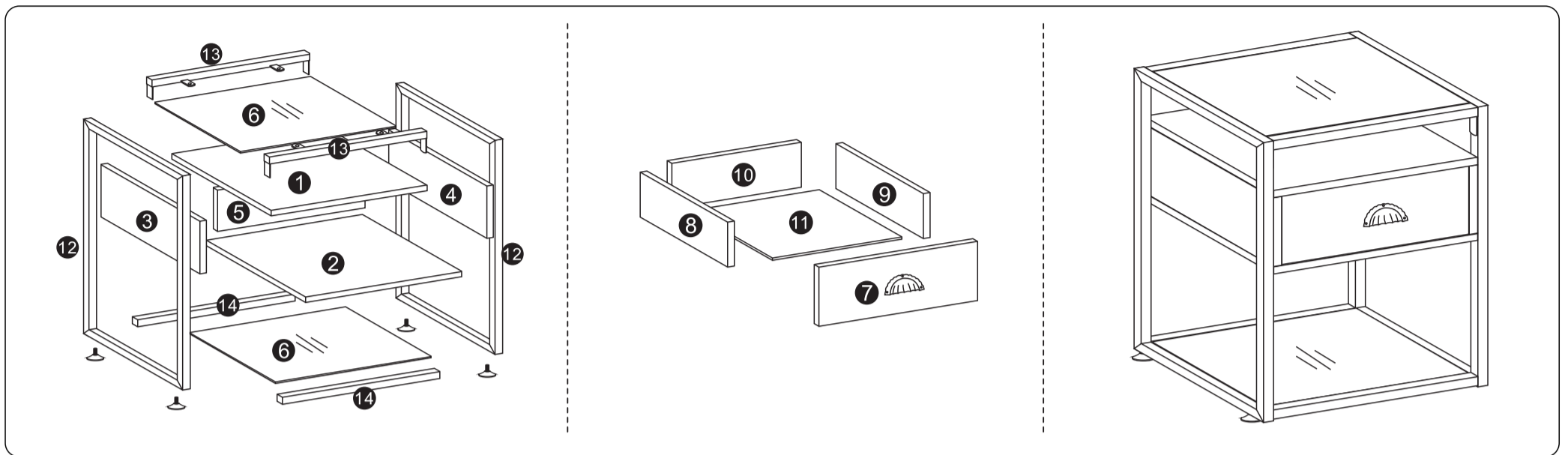


# Instruction Manual

**Tips!**

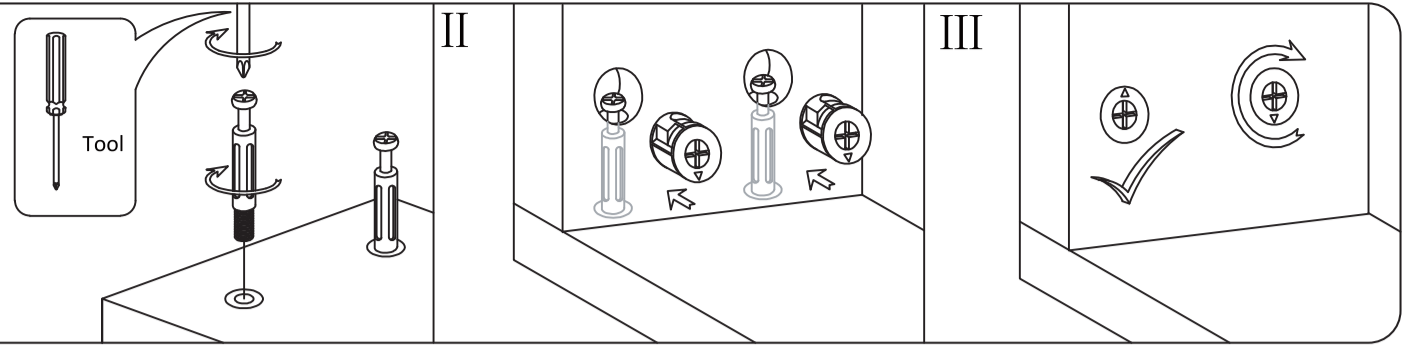
Check all the components & screws before assembly. Do not install in case part is missing, contact us to get.



Components					
1		1	8		1
2		1	9		1
3		1	10		1
4		1	11		1
5		1	12		2
6		2	13		2
7		1	14		2

Screws&Tools			
A			11
B1		M6X35mm	8
B2		M6X15mm	4
D		ST5X40mm	17
F		ST3X12mm	3
G		M6mm	4
H			8
I			1
J			4

# "A" Hardware installation example



## StepA:Drawer Assembly ( 1 2 3 )

<p><b>1</b></p> <p><b>D</b> ST5X40mm 4PCS</p>	<p><b>2</b></p> <p><b>F</b> ST3X12mm 3PCS</p> <p><b>I</b> 1PCS</p>	<p><b>3</b></p> <p><b>A</b> 4PCS</p>
<p><b>4</b></p> <p><b>J</b> 4PCS</p>	<p><b>5</b></p> <p><b>A</b> 2PCS</p> <p><b>D</b> ST5X40mm 5PCS</p>	<p><b>6</b></p> <p><b>A</b> 5PCS</p>
<p><b>7</b></p> <p><b>B1</b> M6X35mm 4PCS</p> <p><b>H</b> 4PCS</p>	<p><b>8</b></p> <p><b>D</b> ST5X40mm 8PCS</p>	<p><b>9</b></p> <p><b>B1</b> M6X35mm 4PCS</p> <p><b>B2</b> M6X15mm 4PCS</p> <p><b>G</b> M6mm 4PCS</p>
<p><b>11</b></p> <p><b>H</b> 4PCS</p>		<p><b>12</b> Tighten all screws</p>