

 **WARNING**

"IMPORTANT, RETAIN FOR FUTURE REFERENCE: READ CAREFULLY"


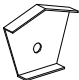



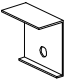
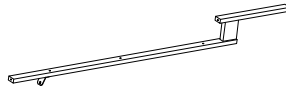
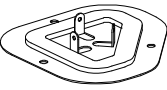


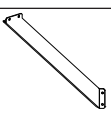
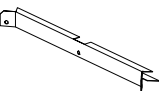
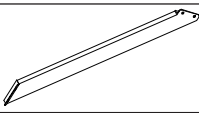
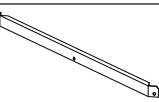
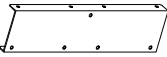
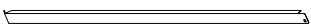
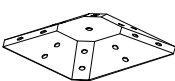

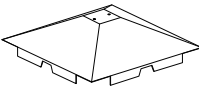
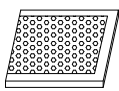
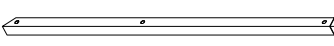
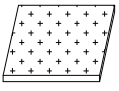
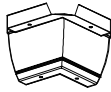


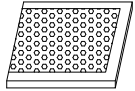

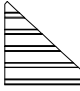
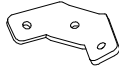
1. Must use ground nails, ropes, and expansions screws for whichever ground you install on for stability to avoid devastating injuries for people inside or nearby and property damage caused by a collapsing gazebo.
2. Do not use this gazebo in high winds, heavy snow, or inclement weather. It is not designed to withstand strong gusts of wind, heavy snow accumulation, or other inclement weather. Must take precautions when the wind speed exceeds 25Mph, and clear snow when it accumulates more than 2 inches.
3. Before use, thoroughly inspect the gazebo to make sure all bolts, nuts, and buckles have been completely tightened and securely fastened.
4. Warranty does not cover damages, losses, or injuries resulting from improper installation, misuse, not using stability accessories mentioned above, non snow cleaning, failure to take precautionary measures, etc.



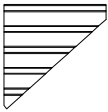
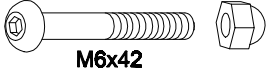
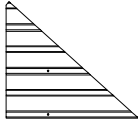

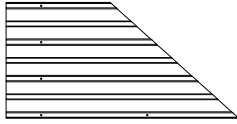

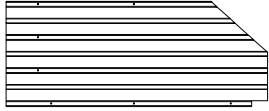



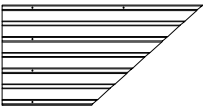

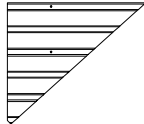

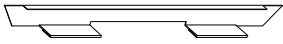


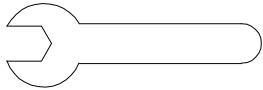
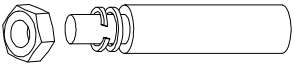

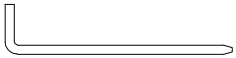

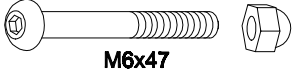
1. Two or more people are required for assembly.
2. A ladder and electric drill may be necessary.
3. Do not erect the structure in heavy winds or inclement weather.
4. Do not leave up this unit for extended periods of time, as it is not a permanent structure or designed to withstand sustained wind or rain. It is a temporary, portable shelter that shields you from sunlight and rain. The screens also block flying insects.
5. Do not use candles, matches, or any open flames near the tent.
6. To better align the screws for practical situations, do not fully tighten screws initially.
7. Professional installation is highly recommended.

**"IMPORTANT, RETAIN FOR FUTURE REFERENCE: READ CAREFULLY"**

- !** 1. Gather and organize all required parts prior to assembly.
- 2. Assemble on a flat, clean and soft surface.




Item no.	Reference Image	Qty.	Item no.	Reference Image	Qty.
<b>A</b>		X4	<b>N2</b>		X12
<b>C</b>		X4	<b>N3</b>		X76+ 4extra
<b>C1</b>		X4	<b>N4</b>		X4
<b>D</b>		X4	<b>T</b>		X4
<b>E</b>		X4	<b>Y1</b>		X4
<b>F</b>		X4	<b>J1</b>		X4
<b>F1</b>		X4	<b>K1</b>		X4
<b>G</b>		X4	<b>O</b>		X4
<b>H</b>		X1	<b>O1</b>		X4
<b>H1</b>		X1	<b>R1</b>		X4
<b>I1</b>		X8	<b>R2</b>		X4
<b>L</b>		X4	<b>Y</b>		X112+ 6extra
<b>L1</b>		X4	<b>R</b>		X1
<b>N</b>		X4	<b>P</b>		X4
<b>N1</b>		X4			

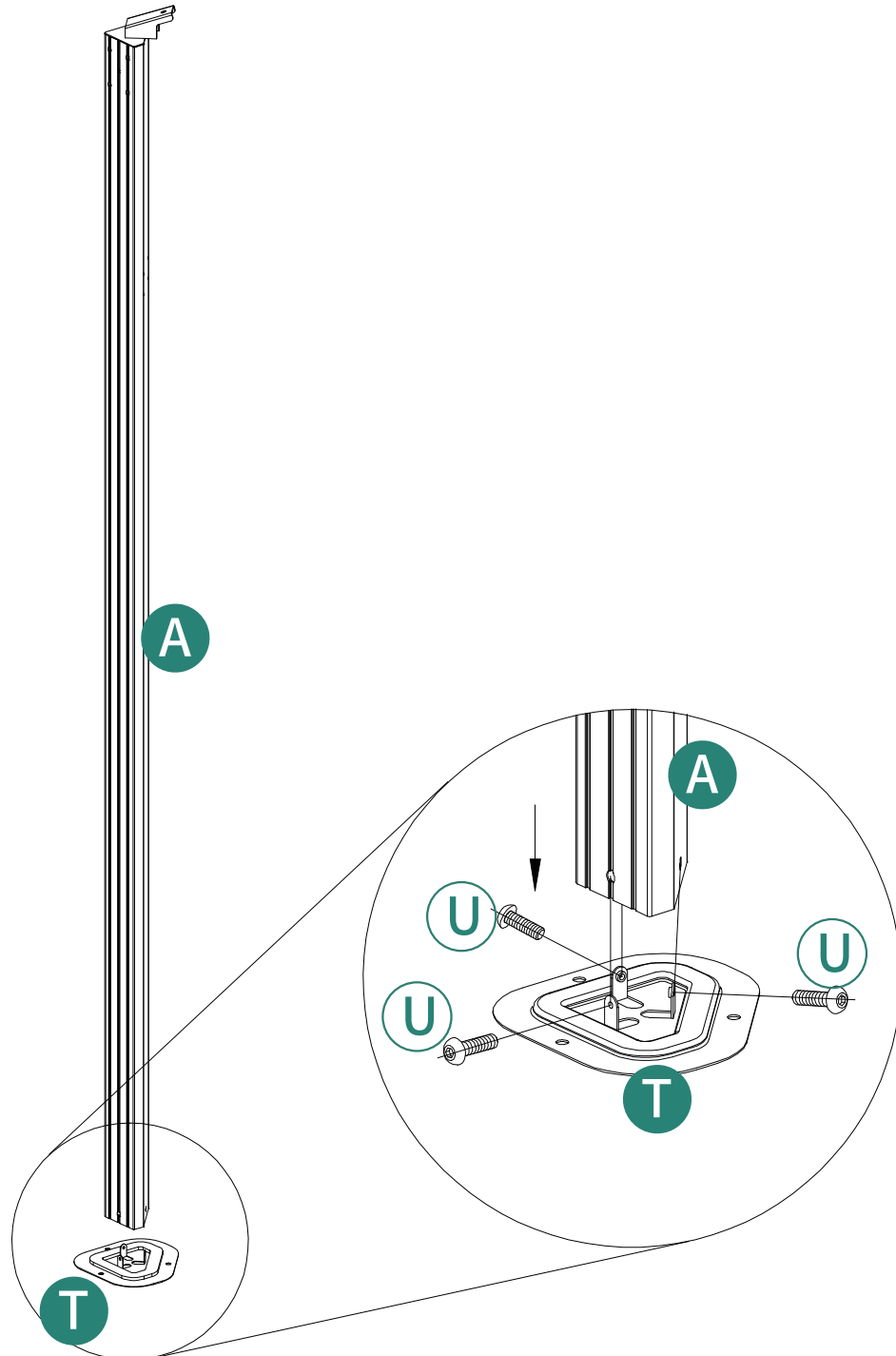
# ASSEMBLY INSTRUCTIONS

Item no.	Reference Image	Qty.	Item no.	Reference Image	Qty.
<b>P1</b>		X4	<b>Z1</b>	 M6x42	X4+ 2extra
<b>W</b>		X4	<b>Z2</b>	 M6x23	X56+ 4extra
<b>W1</b>		X4	<b>U</b>	 M6x15	X116+ 5extra
<b>W2</b>		X4	<b>U1</b>	 M6x23	X8+ 2extra
<b>W3</b>		X4	<b>U2</b>	 M5x15	X4+ 2extra
<b>W4</b>		X4	<b>U3</b>	 St4.8x12	X56+ 4extra
<b>W5</b>		X4	<b>V</b>		X32+ 2extra
<b>Q</b>		X56+ 2extra	<b>V1</b>		X1
<b>Q1</b>		X24+ 1extra	<b>-</b>		X1
<b>V2</b>		X12	<b>-</b>		X1
<b>V4</b>		X12	<b>-</b>		X1
<b>Z</b>	 M6x47	X8+ 2extra			

# ASSEMBLY INSTRUCTIONS

**1**  
**X4**

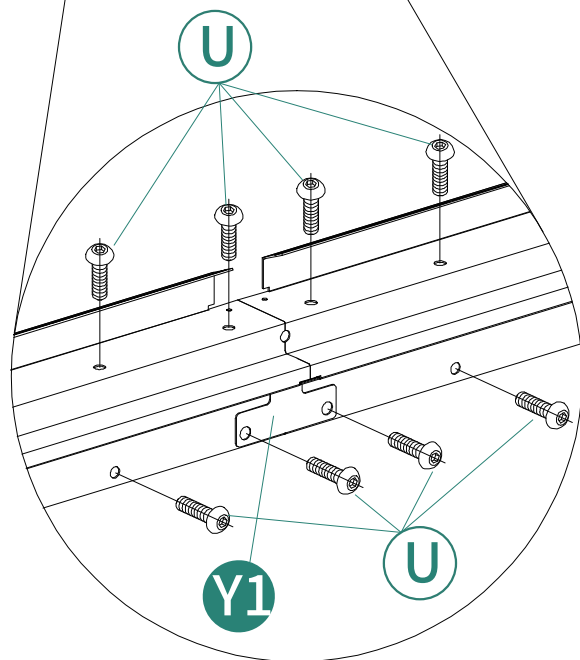
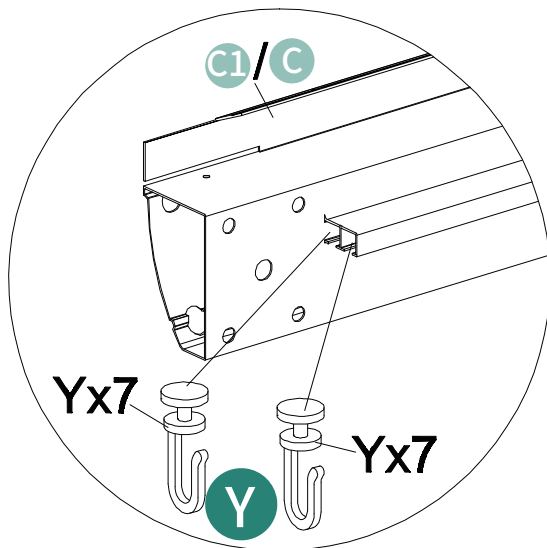
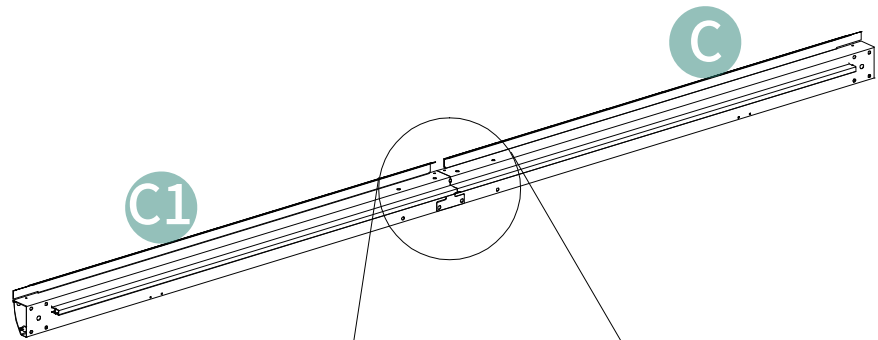
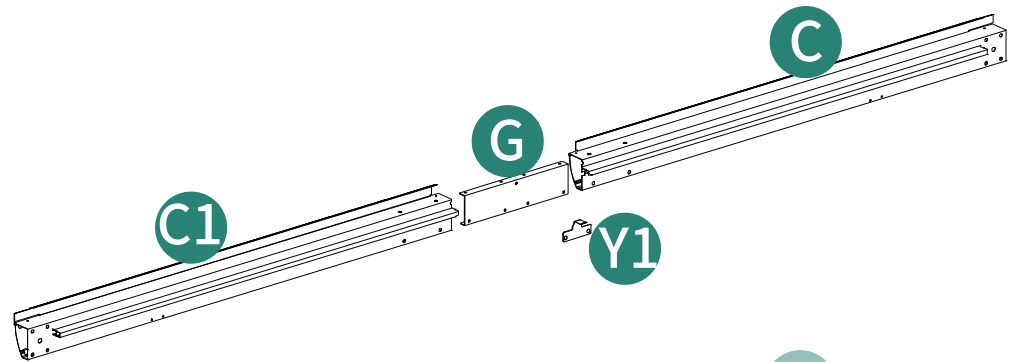
		 M6x15
Ⓐ 4pcs	Ⓙ 4pcs	Ⓚ 12pcs



# ASSEMBLY INSTRUCTIONS

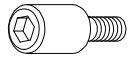
2

X4

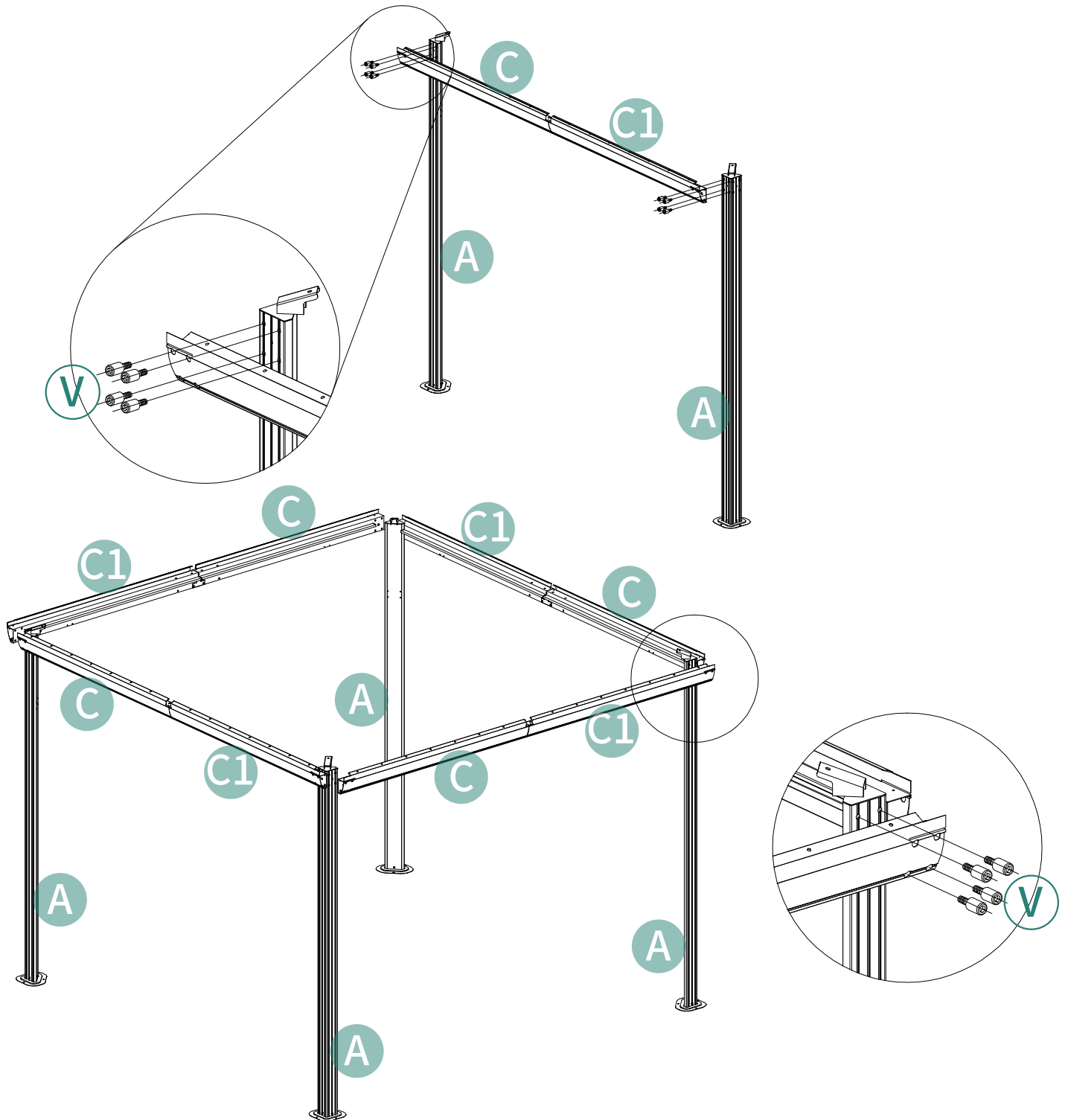


# ASSEMBLY INSTRUCTIONS

3

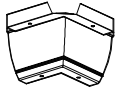


Ⓥ32pcs



# ASSEMBLY INSTRUCTIONS

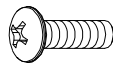
4



Ⓛ 4pcs

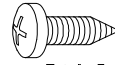


Ⓛ1 4pcs



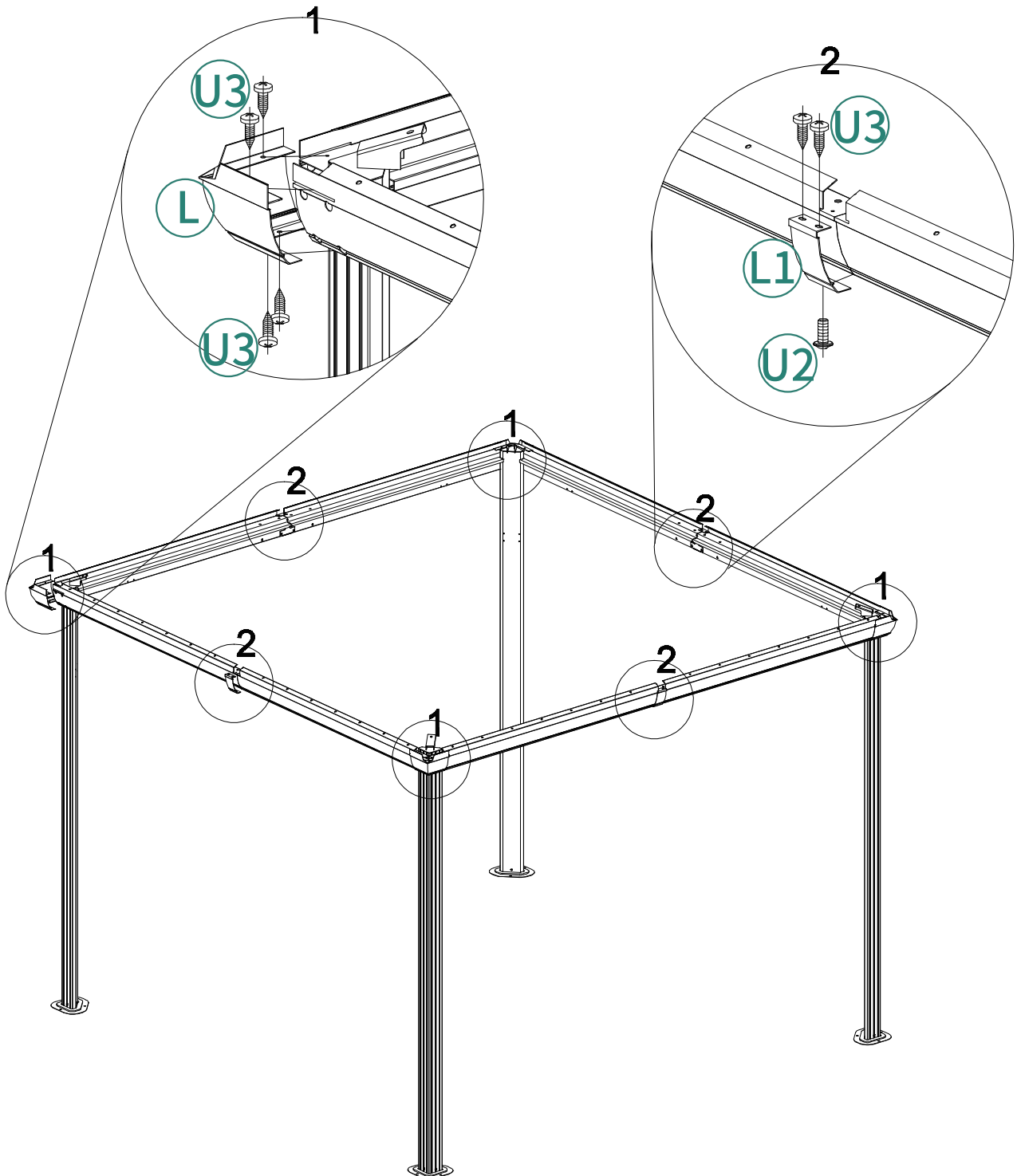
M5x15

Ⓢ2 4pcs



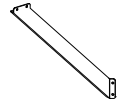
St4.8x12

Ⓢ3 24pcs

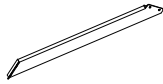


# ASSEMBLY INSTRUCTIONS

5



ⓕ4pcs

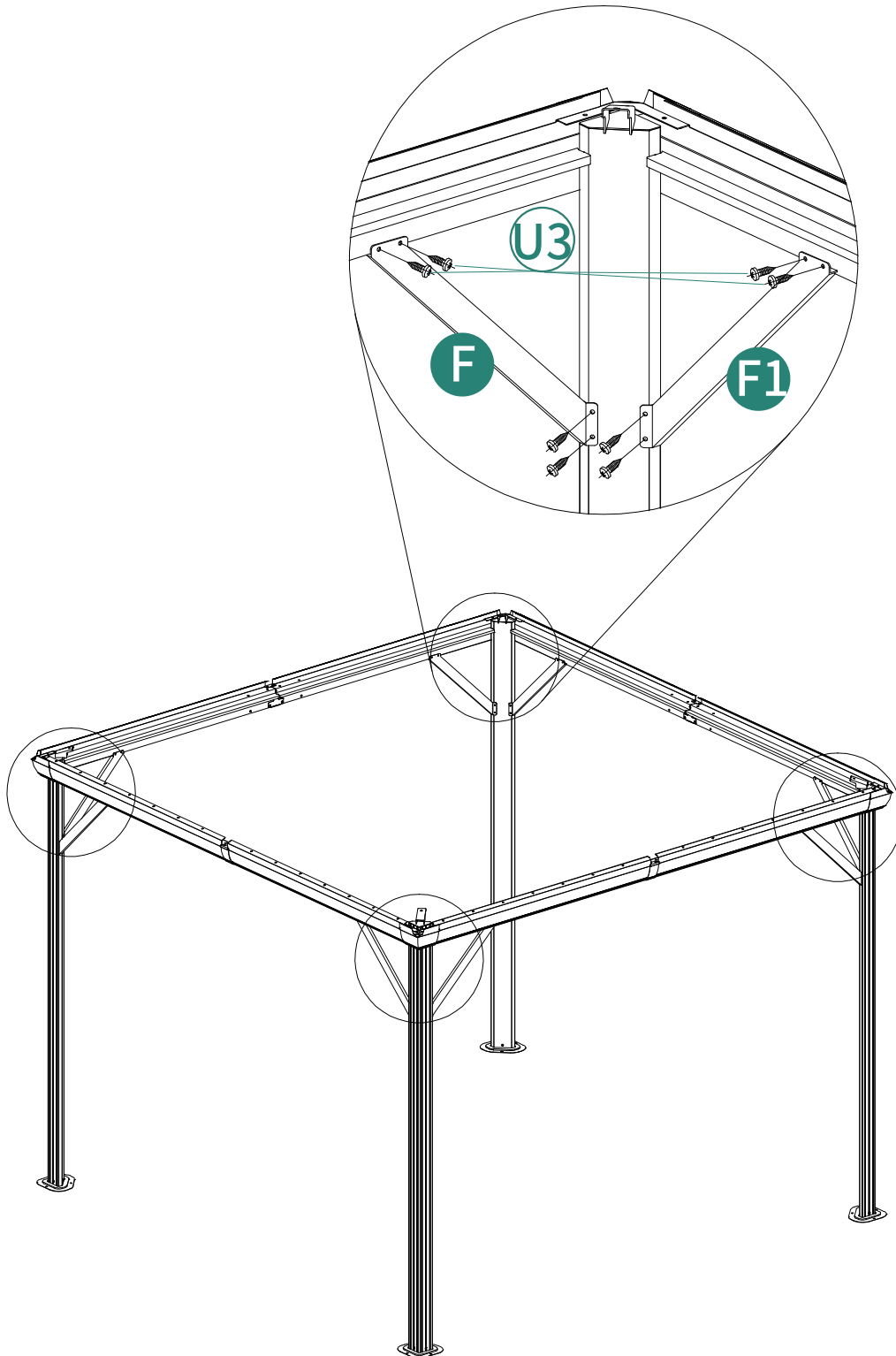


ⓕ14pcs



S4.8x12

ⓐ32pcs

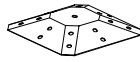


# ASSEMBLY INSTRUCTIONS

6



ⓔ 4pcs

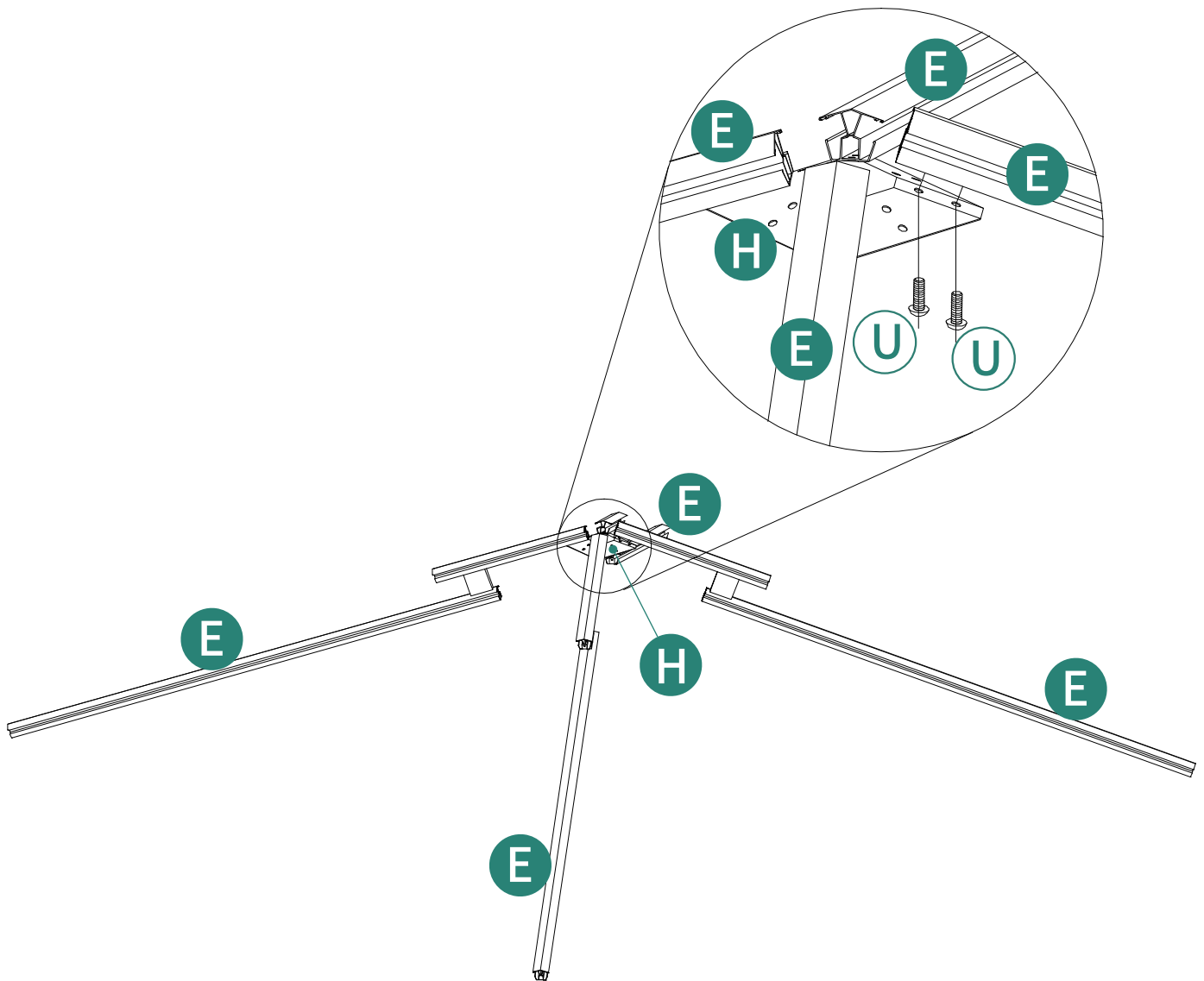


ⓓ 1pc




M6x15

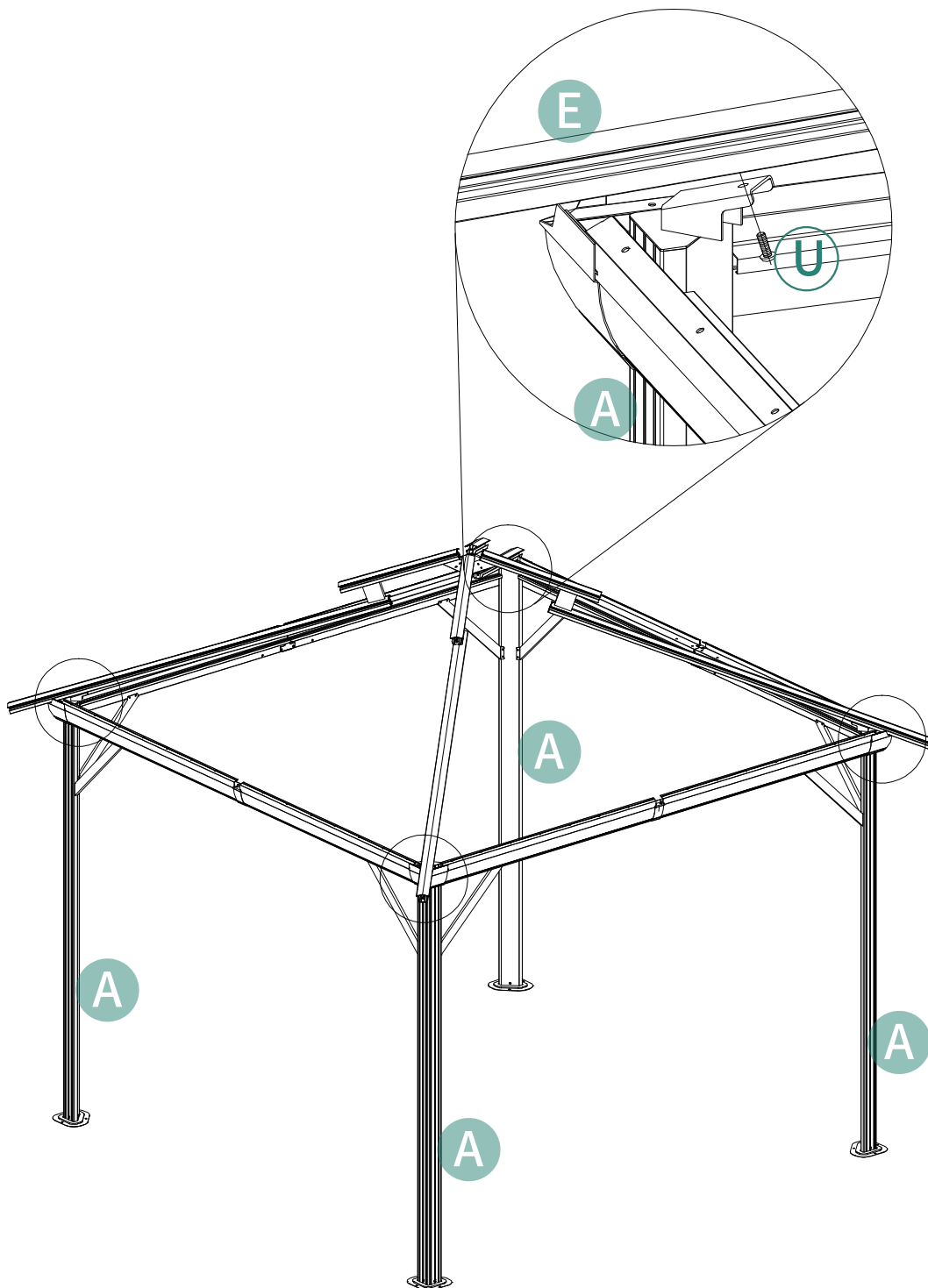
ⓤ 8pcs



# ASSEMBLY INSTRUCTIONS

7

  
M6x15  
Ⓢ4pcs



# ASSEMBLY INSTRUCTIONS

8

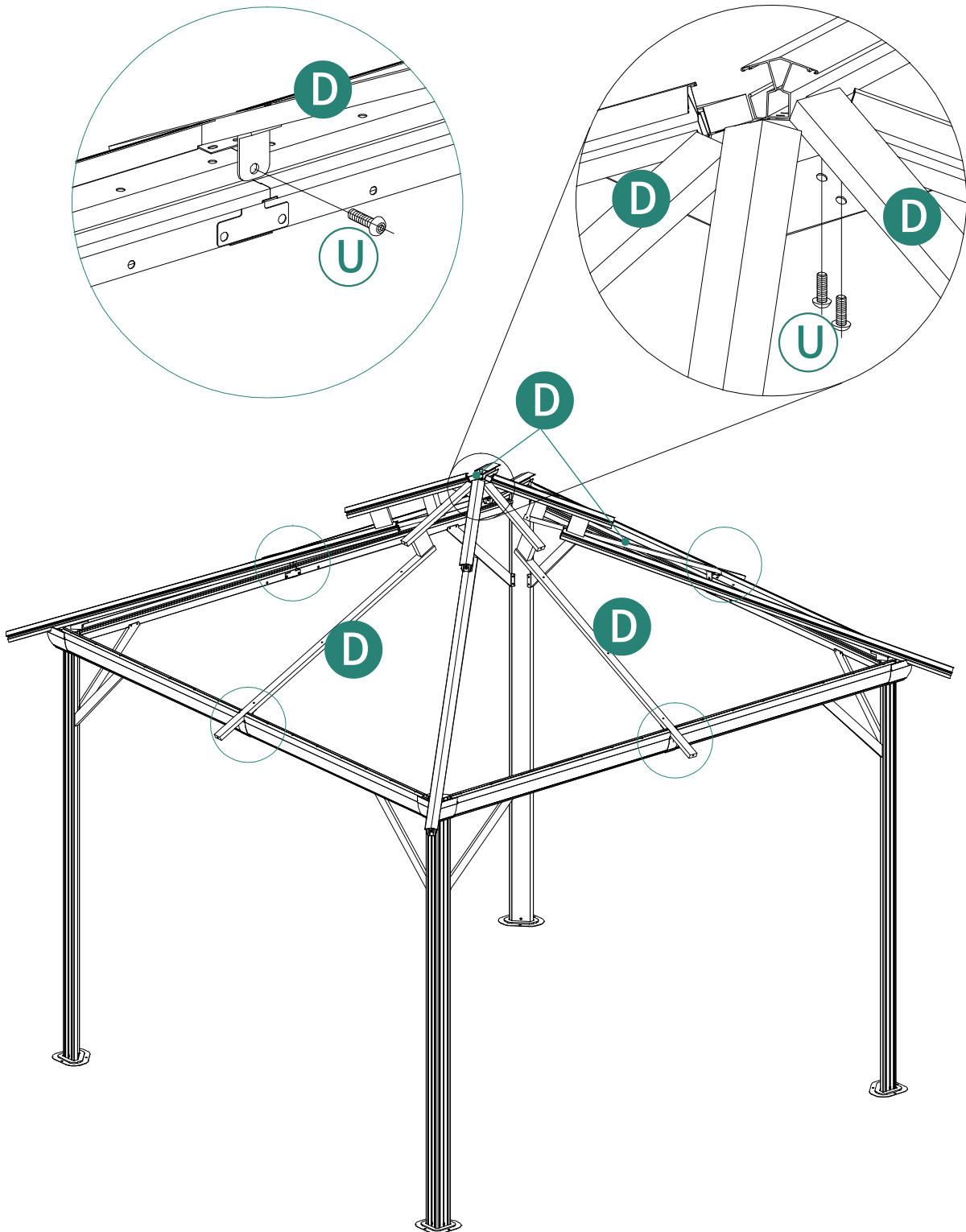


ⓓ4pcs



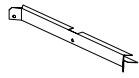
M6x15

ⓐ12pcs



# ASSEMBLY INSTRUCTIONS

9



J1 4pcs

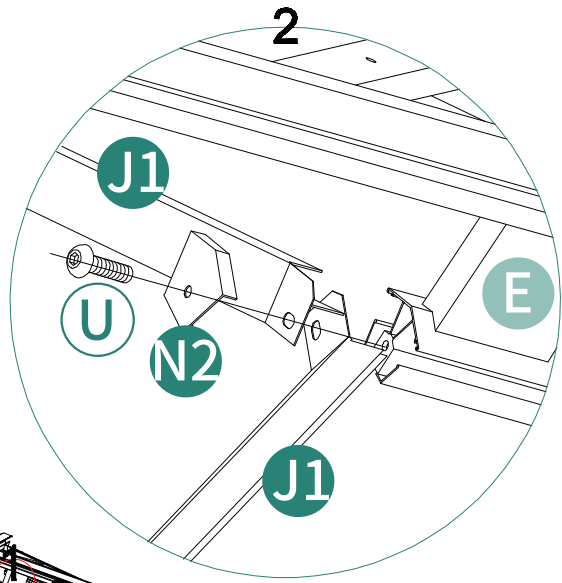
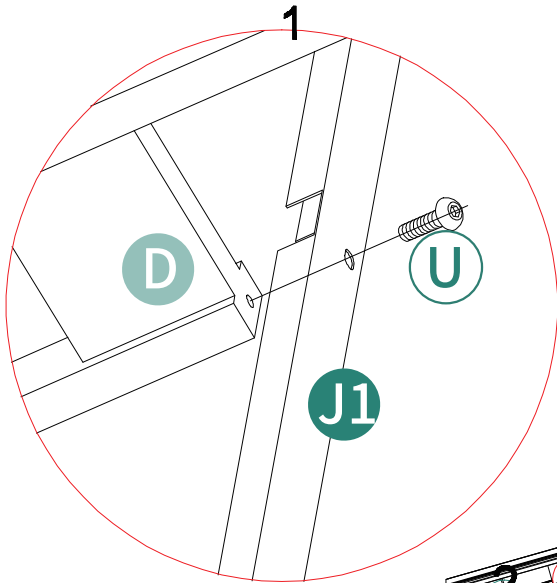


N2 4pcs



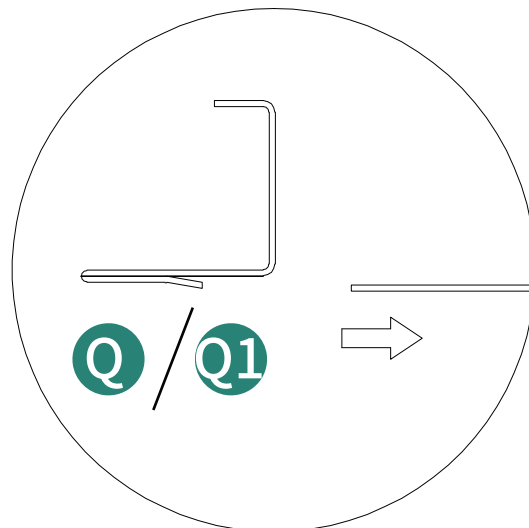
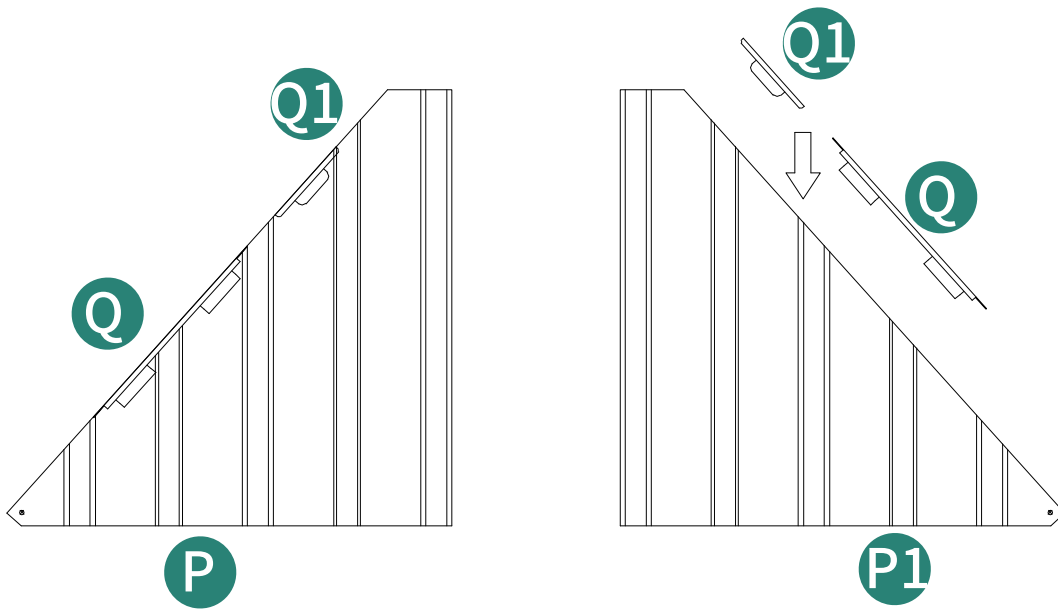
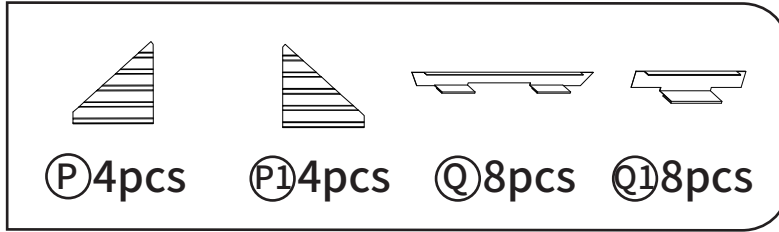
M6x15

U 8pcs



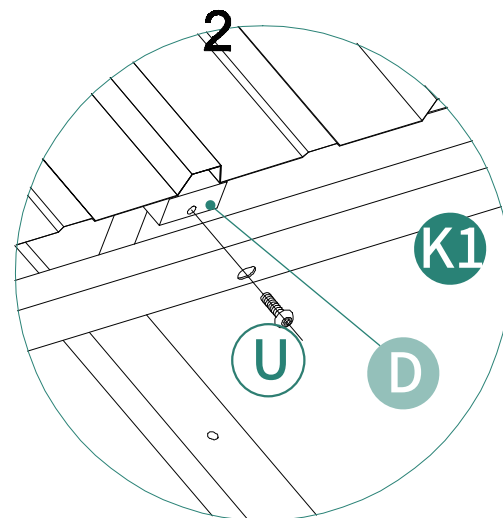
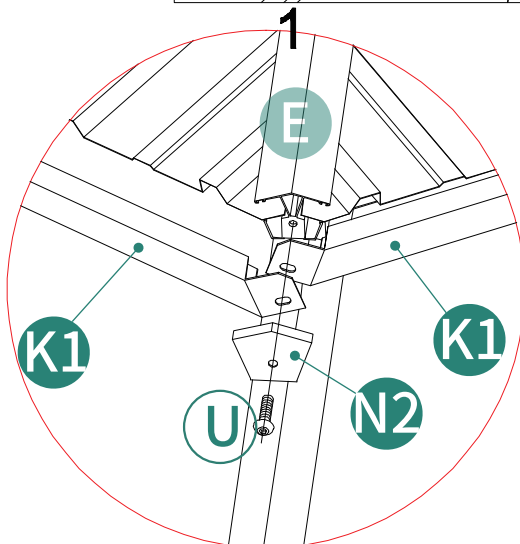
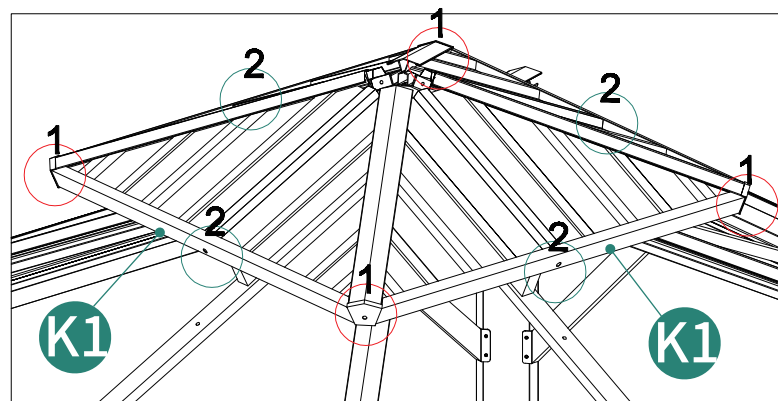
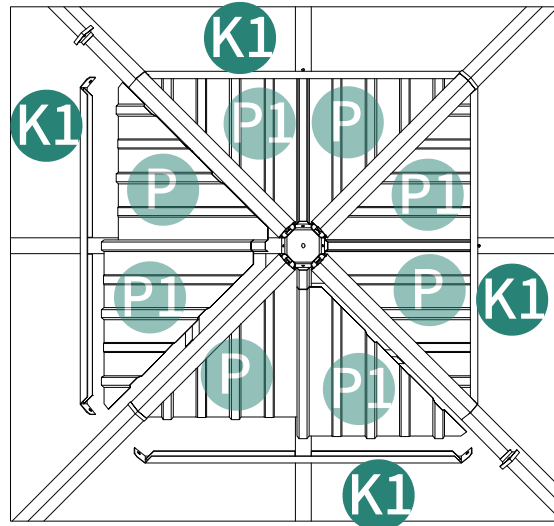
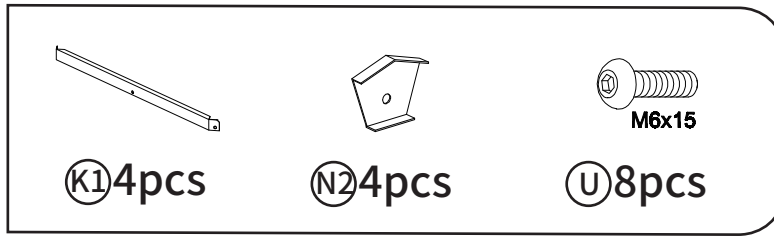
# ASSEMBLY INSTRUCTIONS

**10**  
**X4**



# ASSEMBLY INSTRUCTIONS

# 11



# ASSEMBLY INSTRUCTIONS

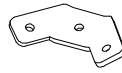
# 12



I1 8pcs



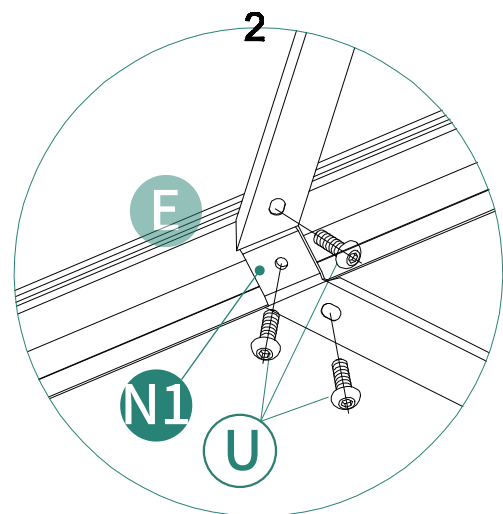
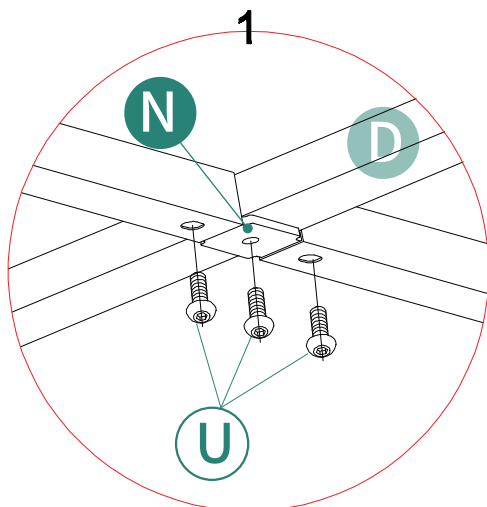
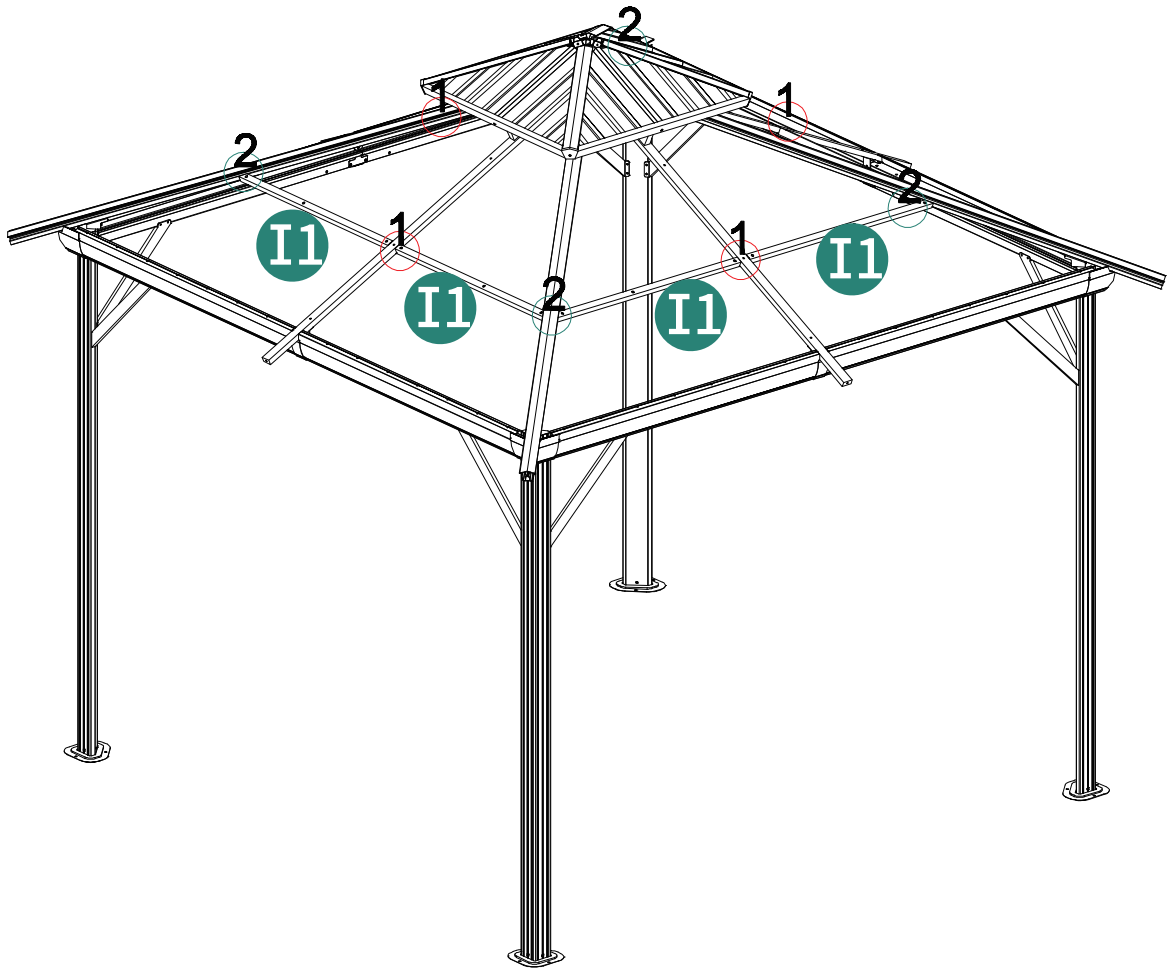
N 4pcs



N1 4pcs

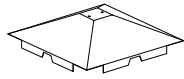


U 24pcs



# ASSEMBLY INSTRUCTIONS

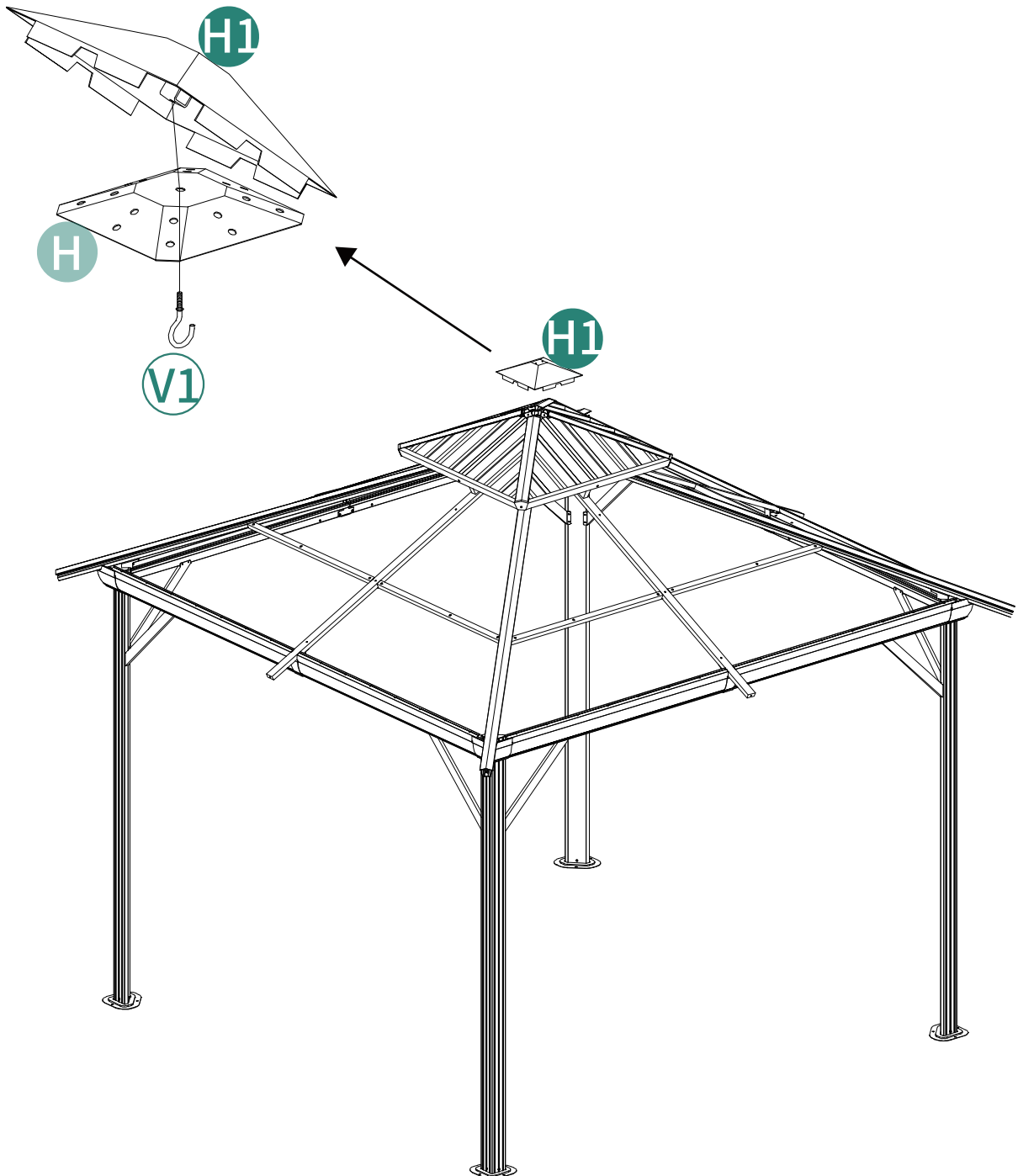
13



H1 1pc

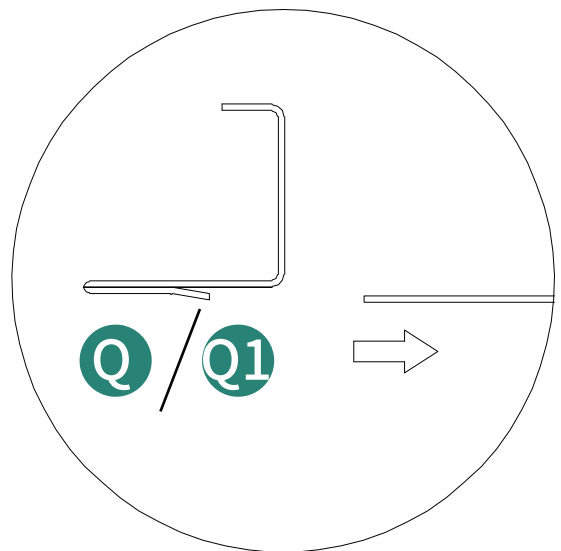
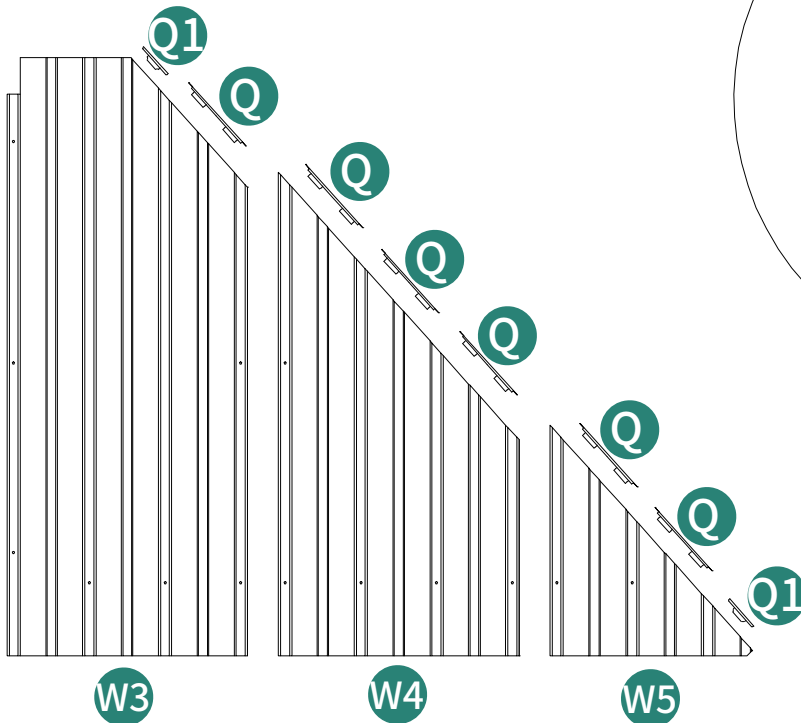
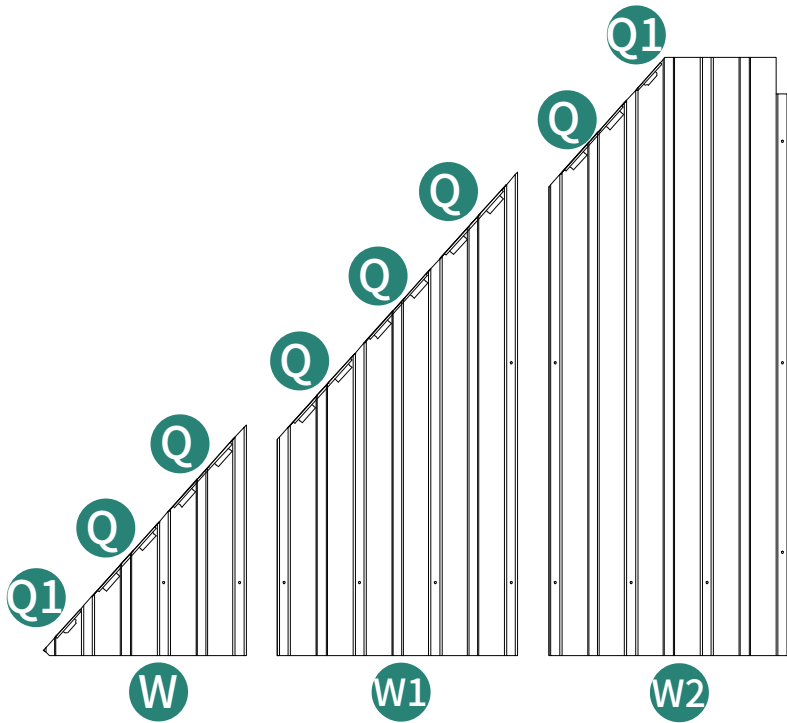
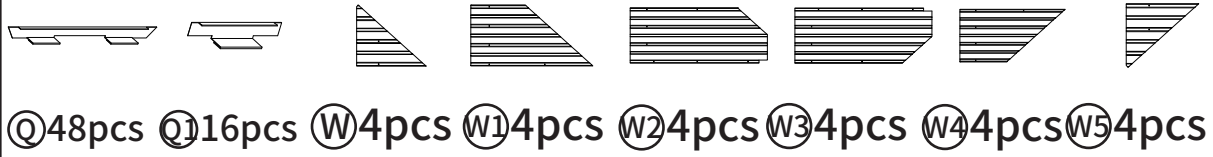


V1 1pc

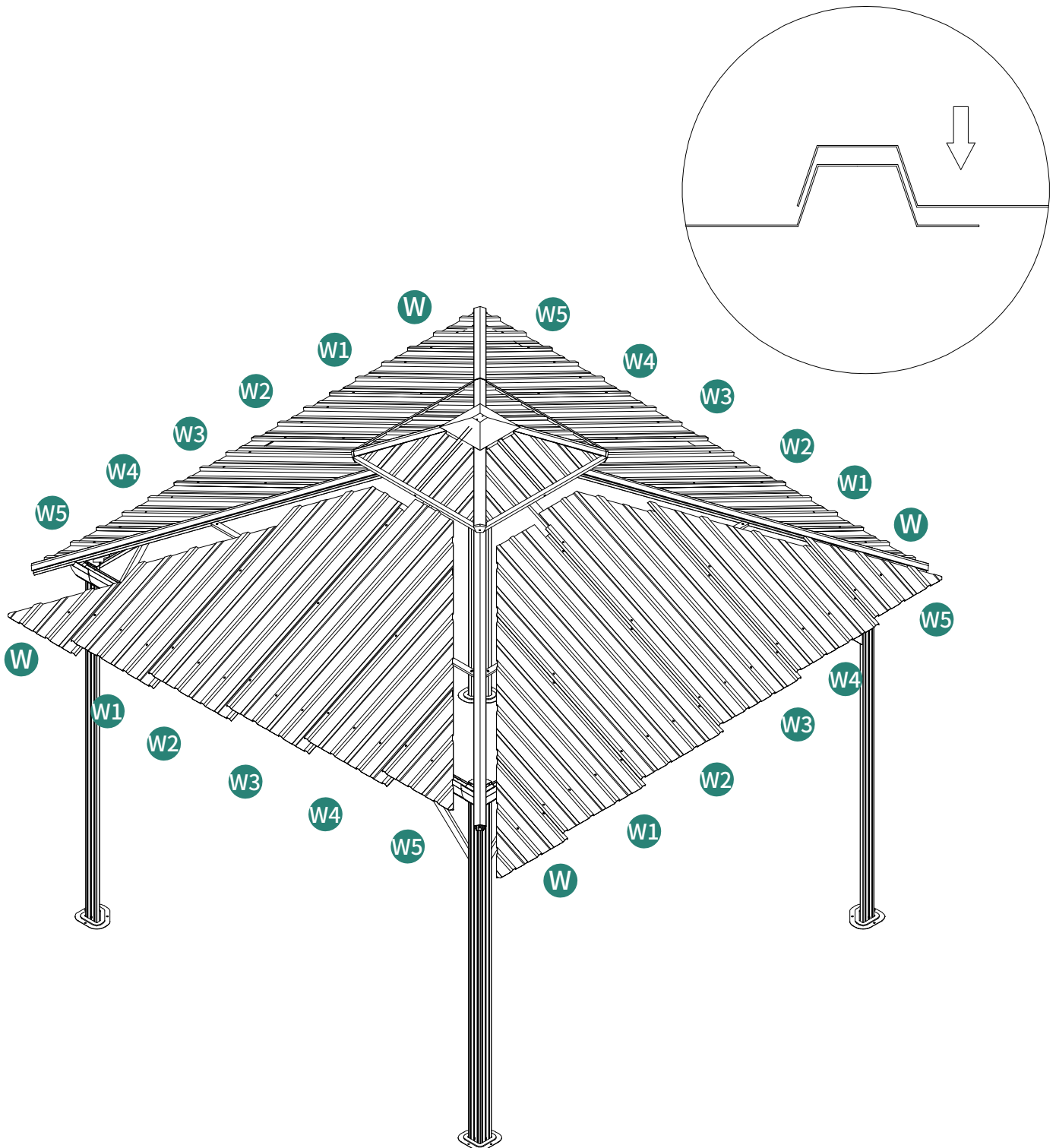


# ASSEMBLY INSTRUCTIONS

# 14

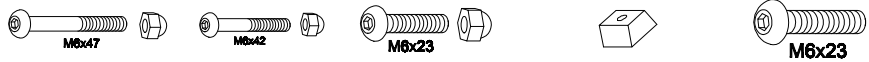


15

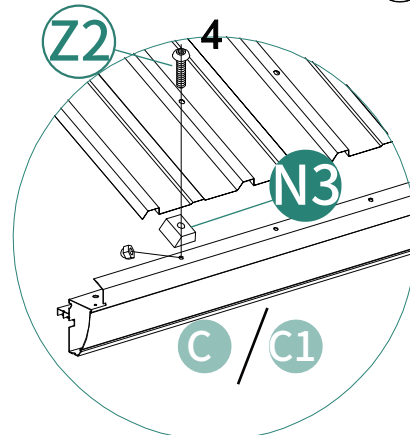
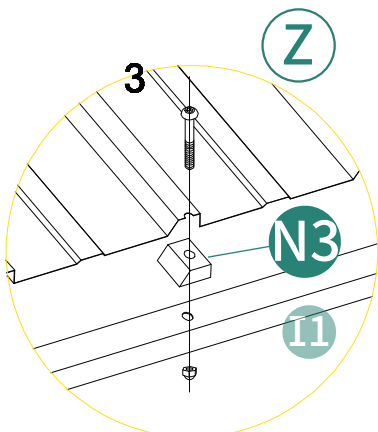
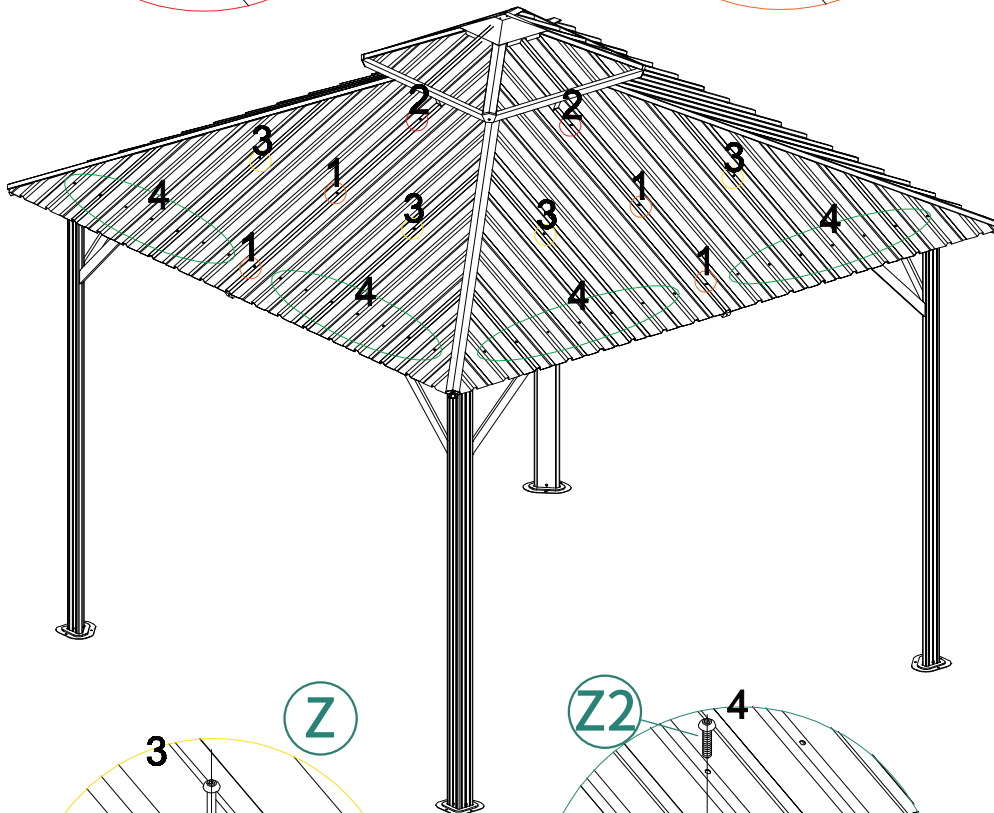
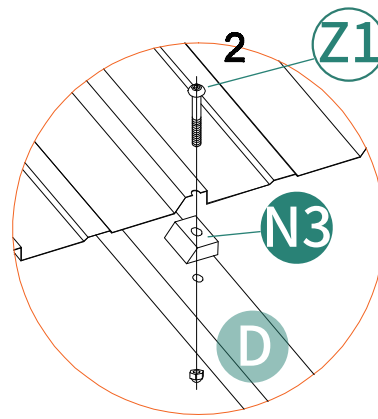
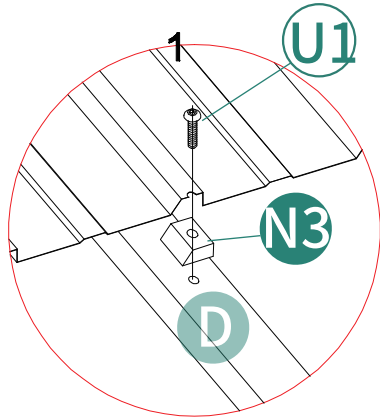


# ASSEMBLY INSTRUCTIONS

# 16



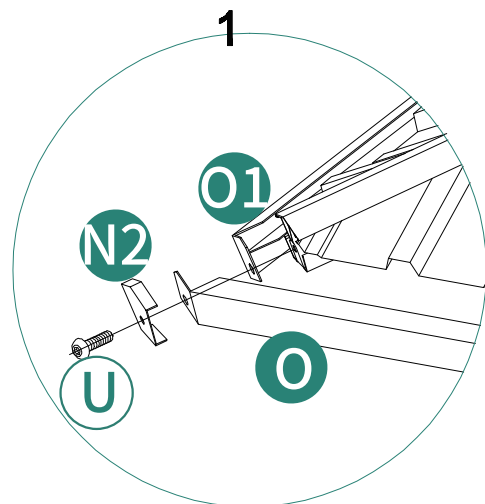
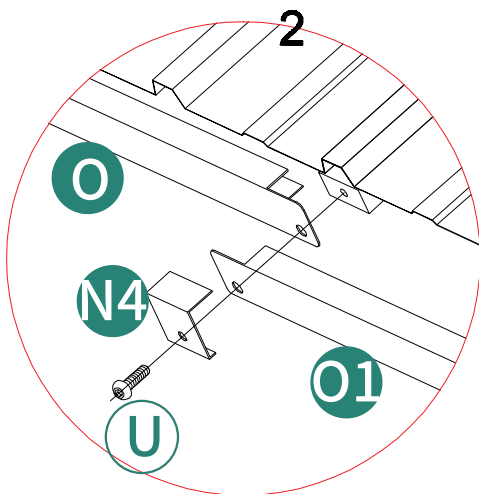
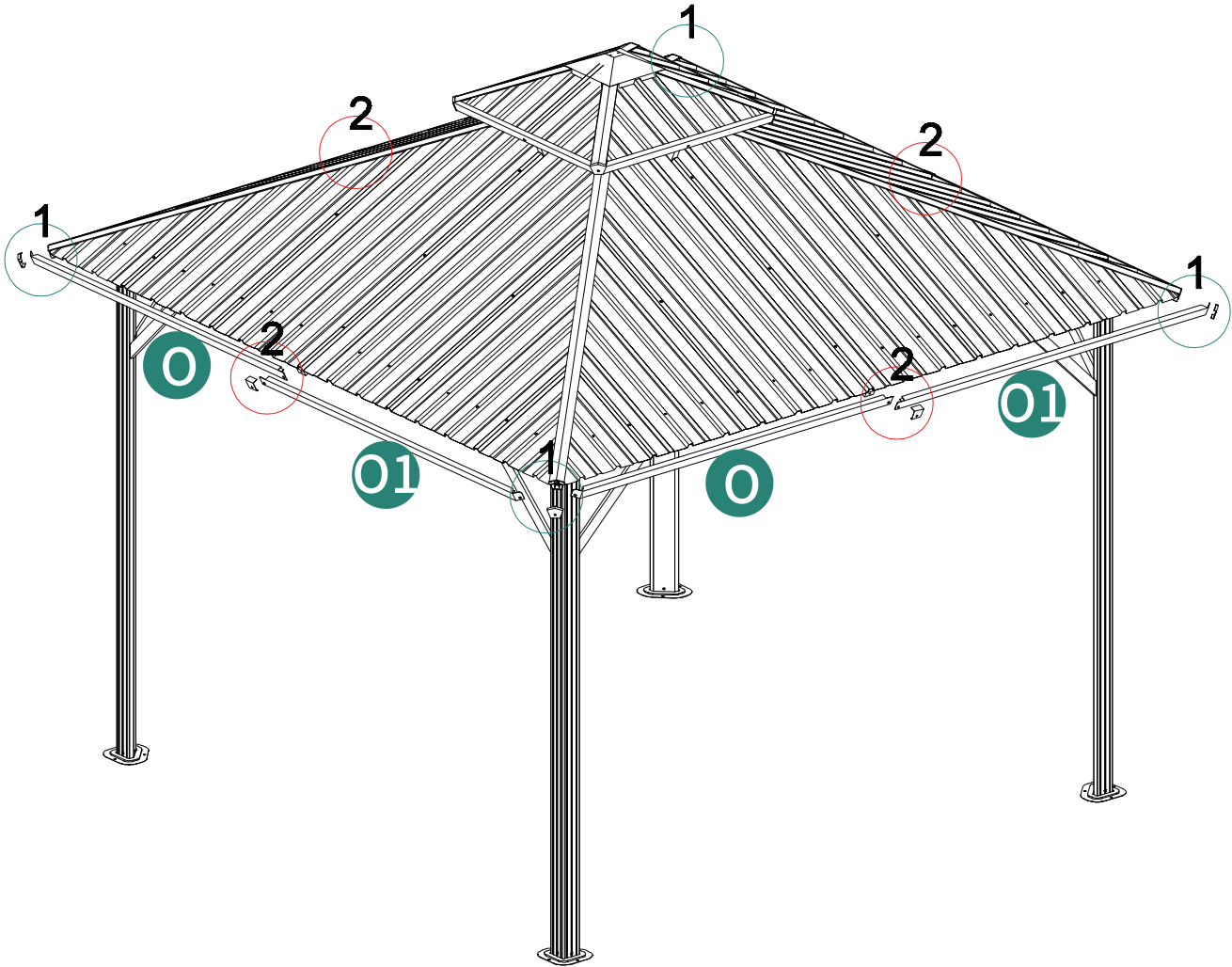
Z 8pcs   
 Z1 4pcs   
 Z2 56pcs   
 N3 76pcs   
 U1 8pcs



# ASSEMBLY INSTRUCTIONS

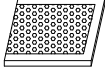
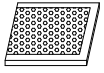
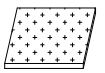

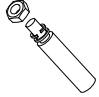
# 17

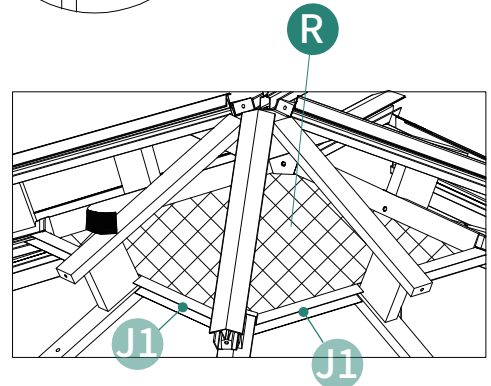
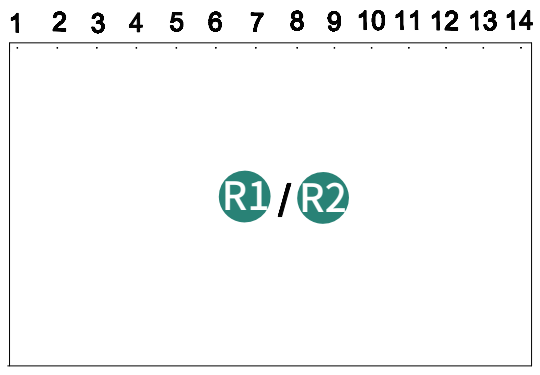
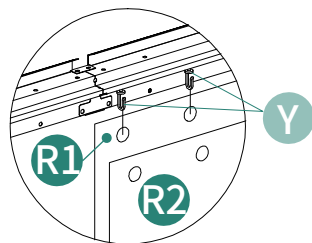
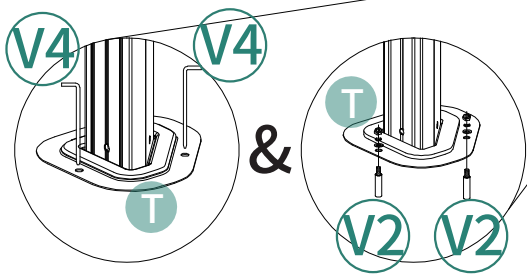
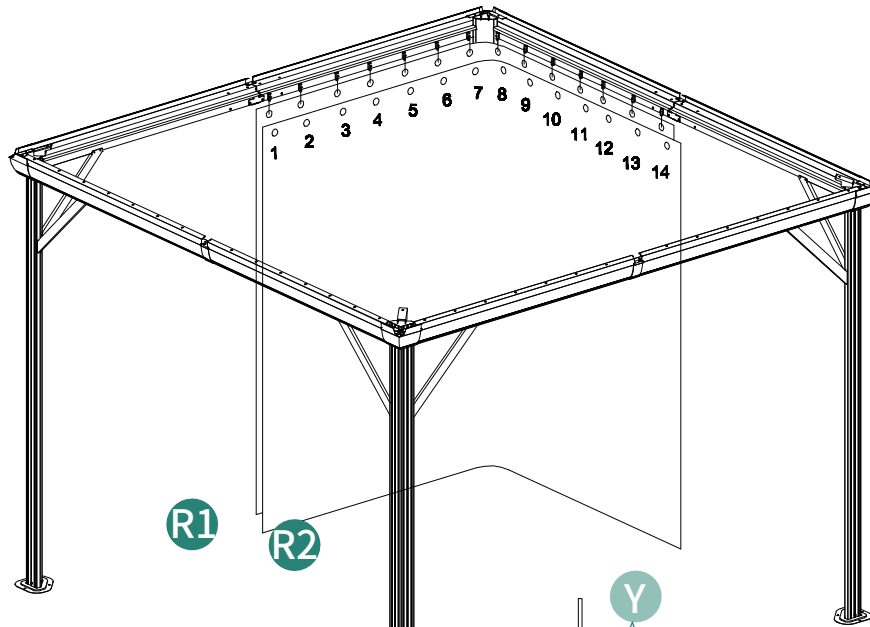
-  ①4pcs
-  ①4pcs
-  ②4pcs
-  ④4pcs
-  M6x15  
⑧8pcs



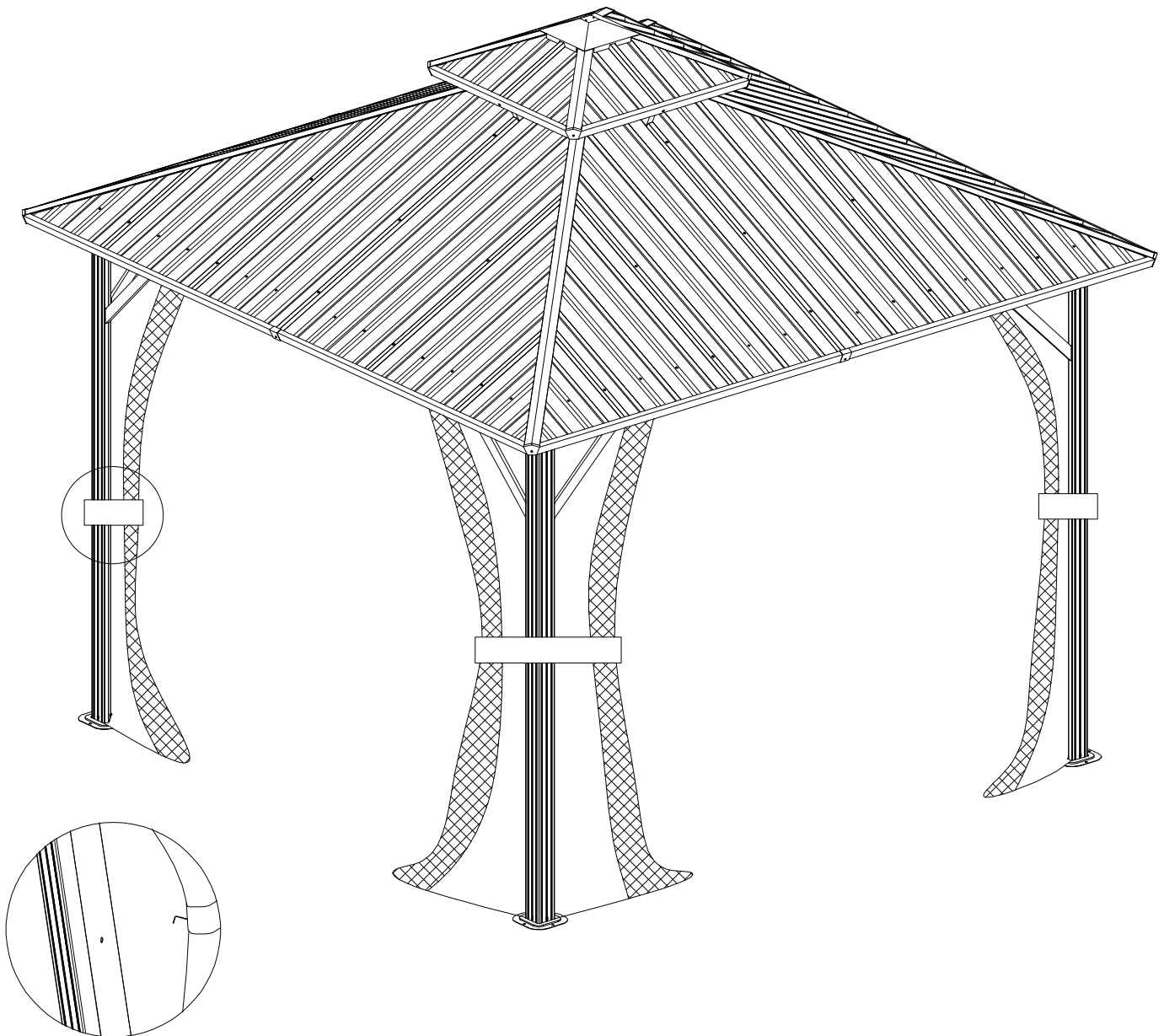
# ASSEMBLY INSTRUCTIONS

# 18

-  **R**1pc
-  **R**14pcs
-  **R**24pcs
-  **V**412pcs
- &**
-  **V**212pcs



19



Installation Completed