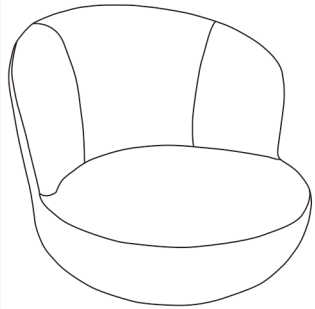
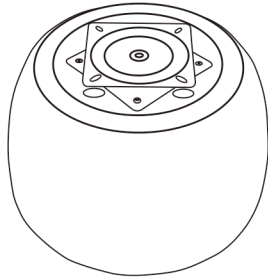


(1)X1



(2)X1



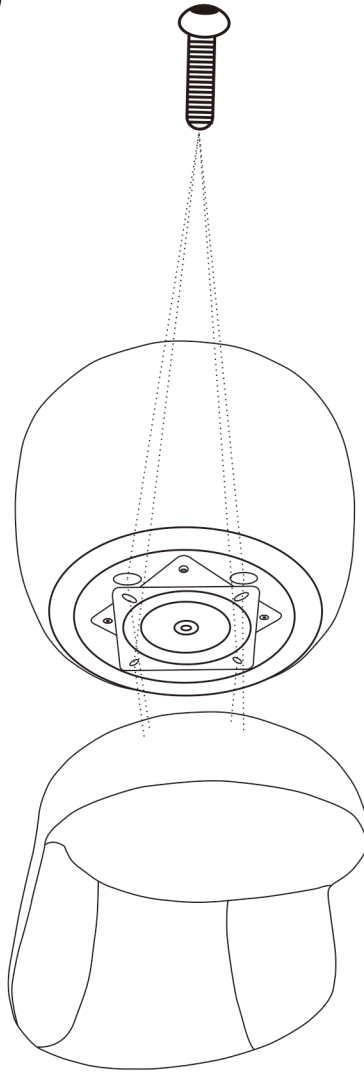
(3)X1



(4)X4



①



②

