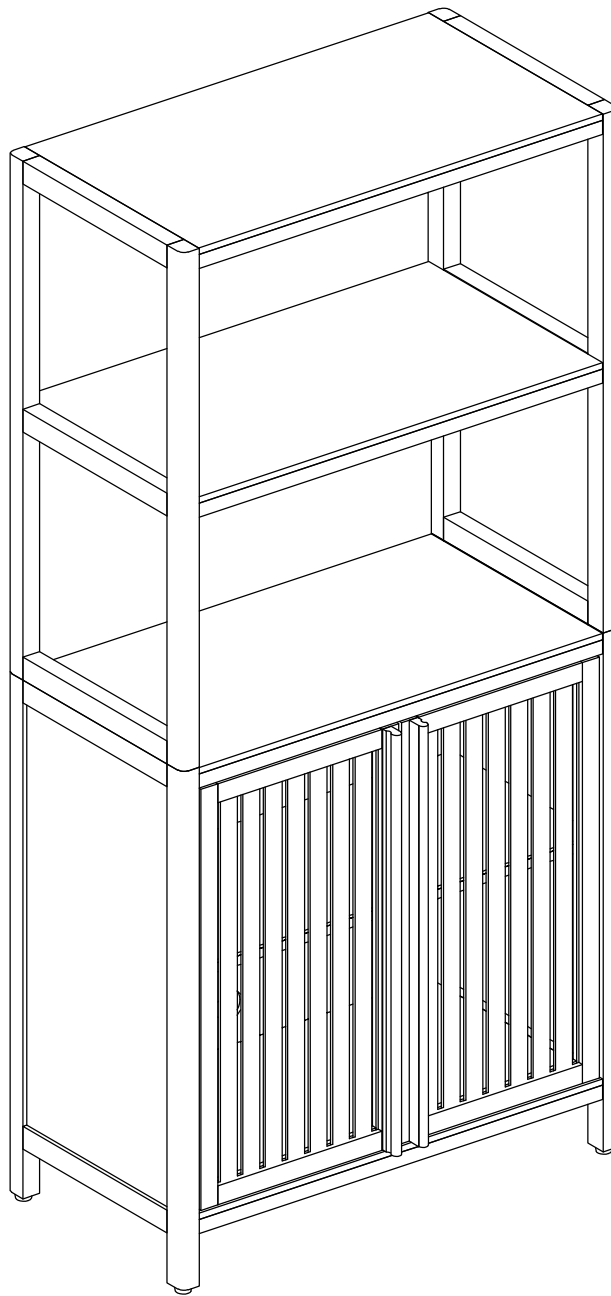


BAMBOO MID CABINET DOUBLE DOOR



W2207P198081

W2207P308780

W2207P327620

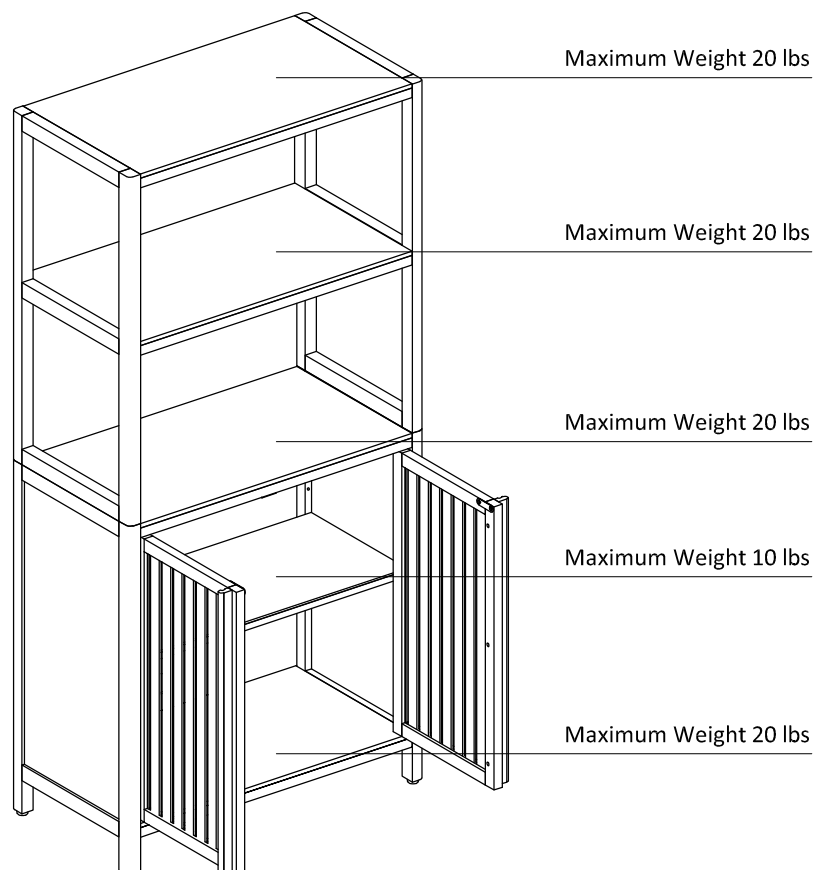
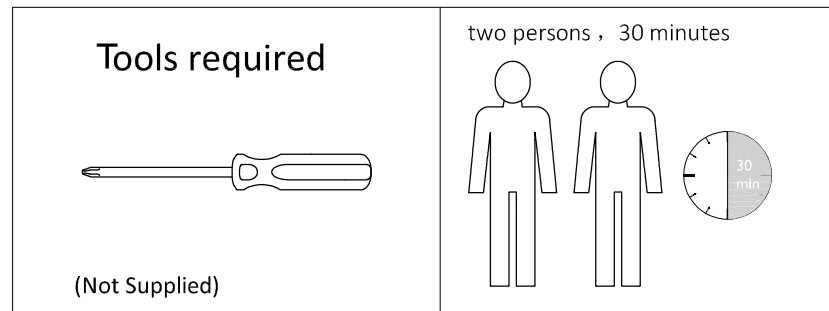
Getting started

Thank you for purchasing **this product**. Read the instructions and warnings carefully before use, to ensure safe and satisfactory operation of this product.

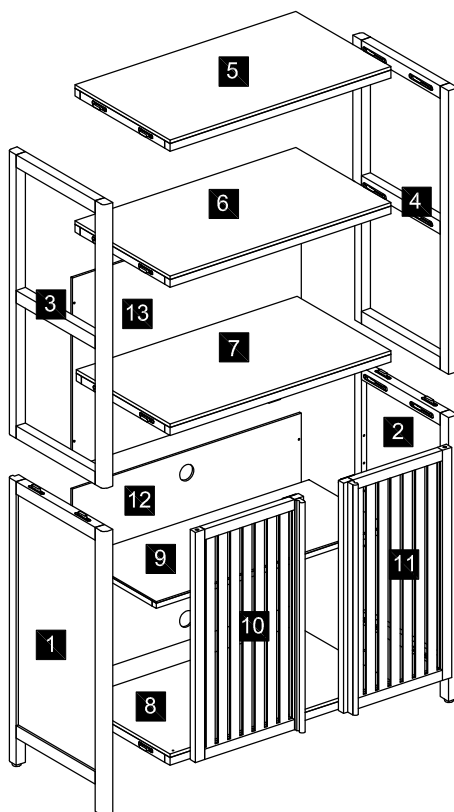


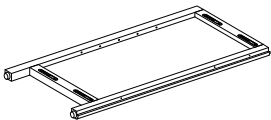
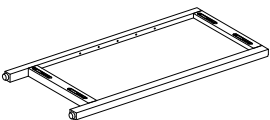
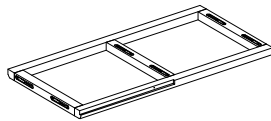
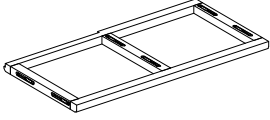
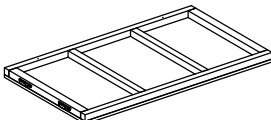
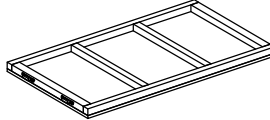
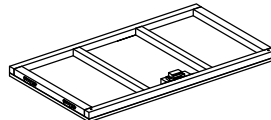
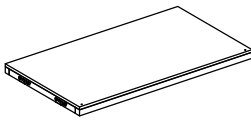
WARNING

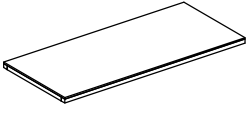
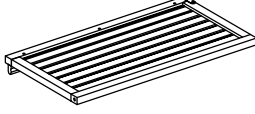
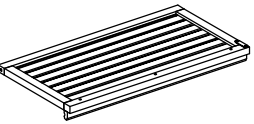
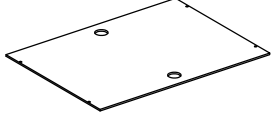
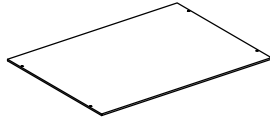
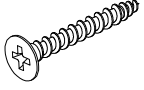
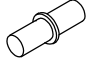

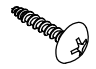
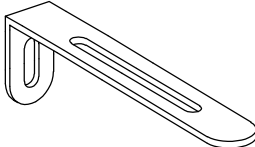
- Do not let any sharp objects touch or rub the surface of the product.
- When assembling, do not let children play around the working area.
- Please confirm all parts are correct before starting the assembly process.
- Do not tighten all bolts and screws completely until the entire unit has been assembled and set up.
- **DO NOT USE POWER TOOLS.**
- Power tools can over tighten screws and strip threads.
- For each screw:
 1. Tighten each screw until you meet resistance.
 2. Tighten one additional full rotation. **DO NOT OVER TIGHTEN.**



Fittings and parts checklist



No.	Picture	Name	Qty	No.	Picture	Name	Qty
1		Under left side frame	1	2		Under right side frame	1
3		Upper left side frame	1	4		Upper right side frame	1
5		Top panel	1	6		Upper fixed shelf	1
7		Under fixed shelf	1	8		Bottom panel	1

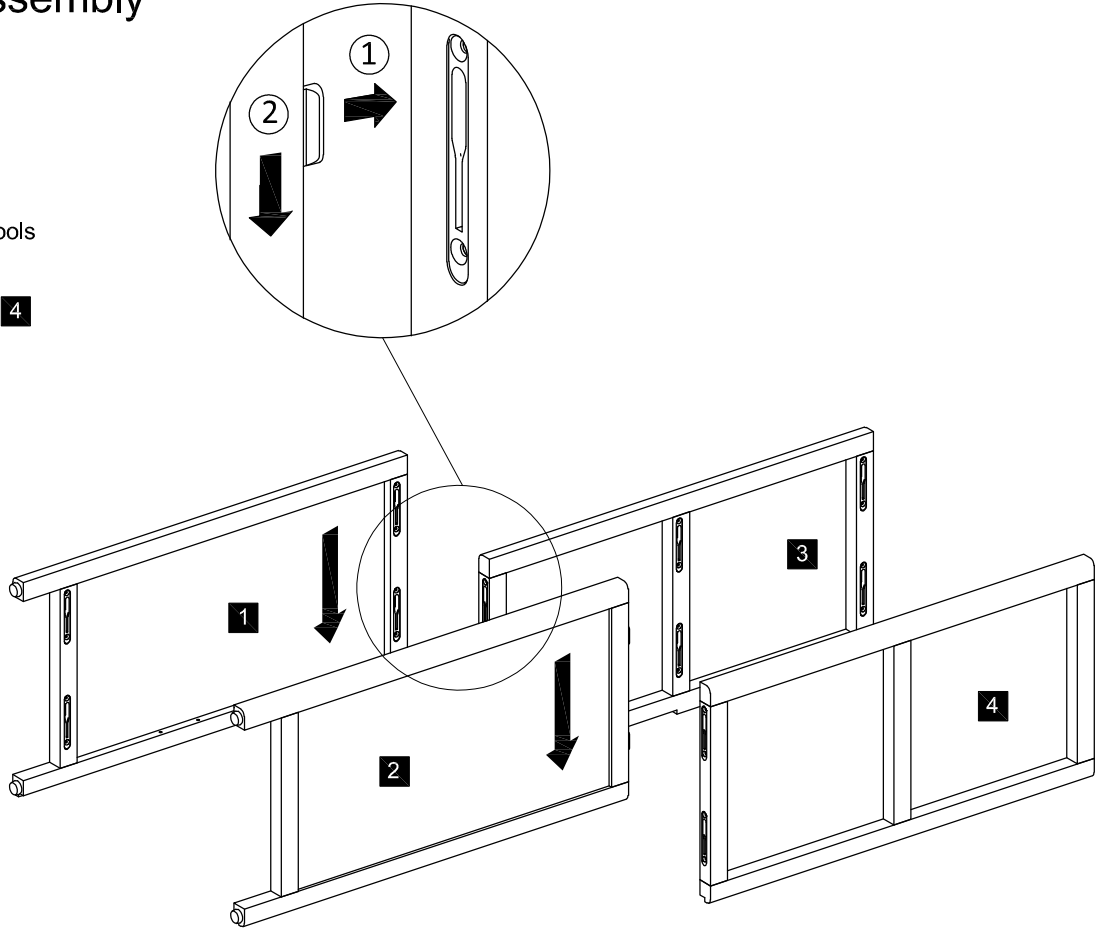
No.	Picture	Name	Qty	No.	Picture	Name	Qty
9		Adjustable shelf	1	10		Left door	1
11		Right door	1	12		Under back panel	1
13		Upper back panel	1	A		Screw	8
B		Shelf Support	4	C		Pin	5 (One spare)
D		Screw	2	E		Metal 'L' Bracket	2

Product assembly

Step 1

Parts, fittings and tools

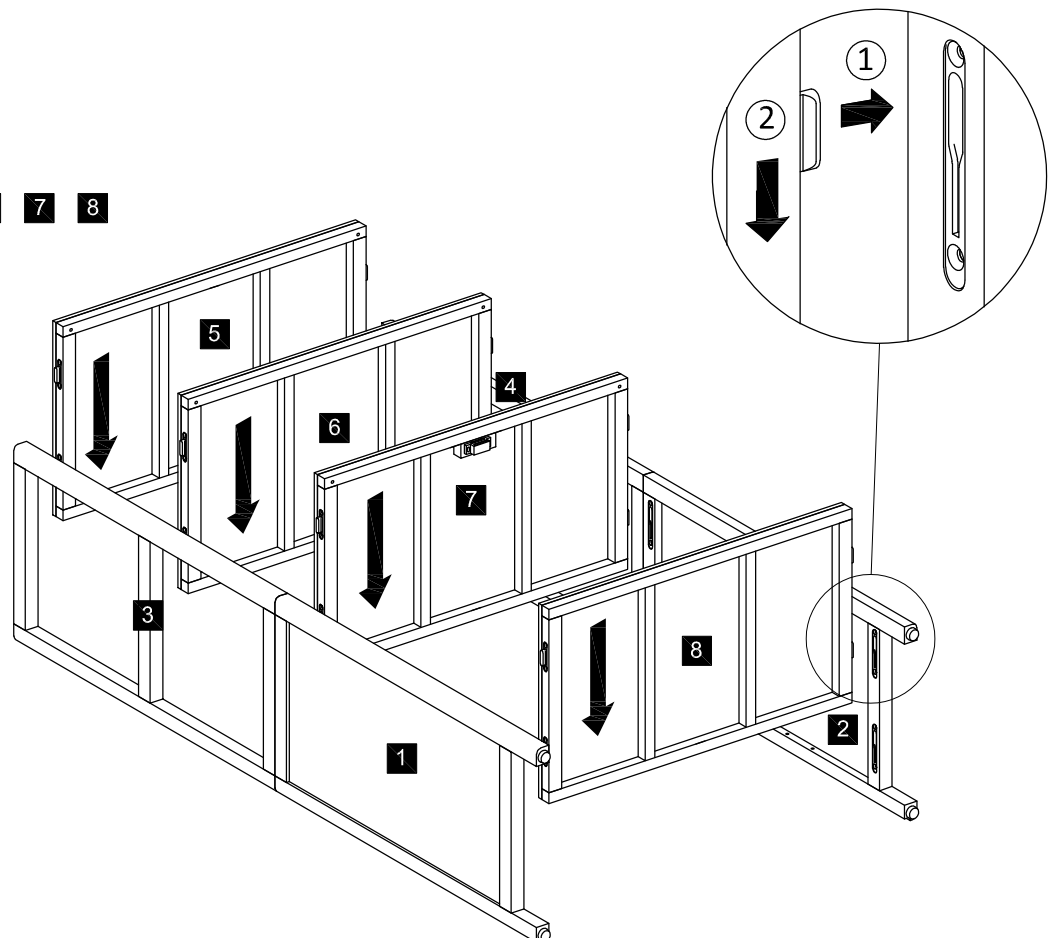
- 1
- 2
- 3
- 4



Step 2

Parts, fittings and tools

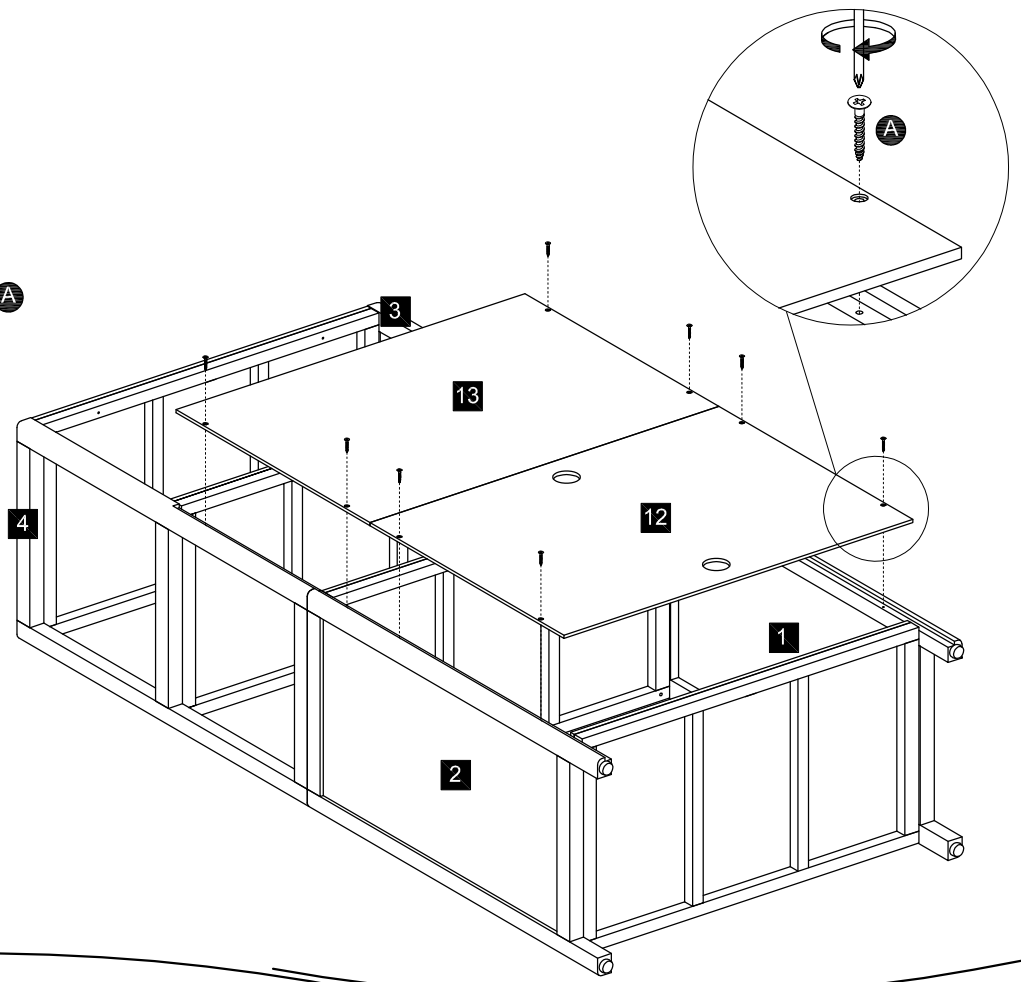
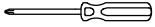
- 1
- 2
- 3
- 4
- 5
- 6
- 7
- 8



Step 3

Parts, fittings and tools

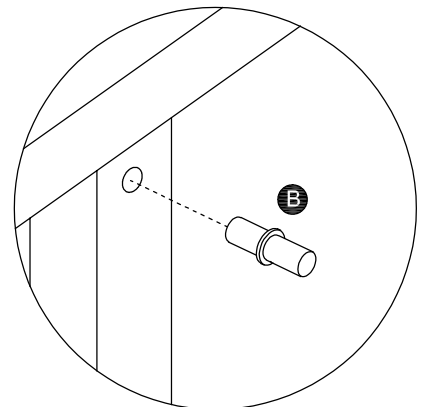
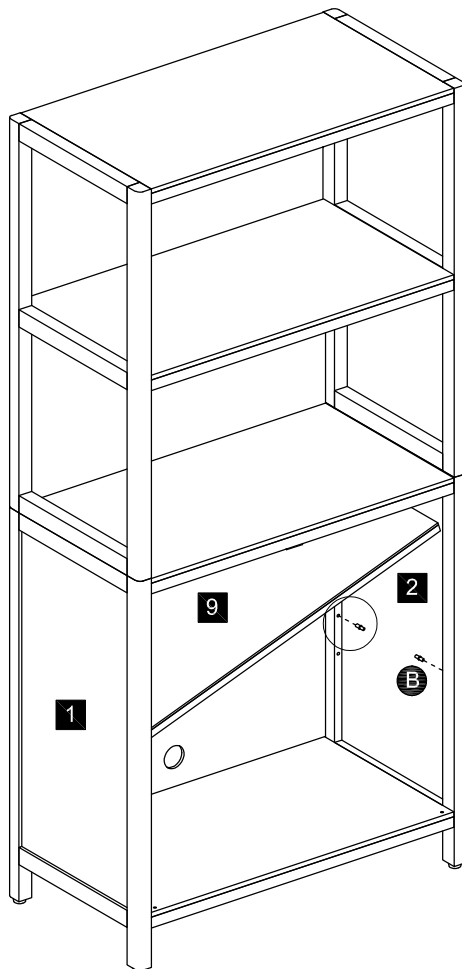
1 2 3 4 12 13 A



Step 4

Parts, fittings and tools

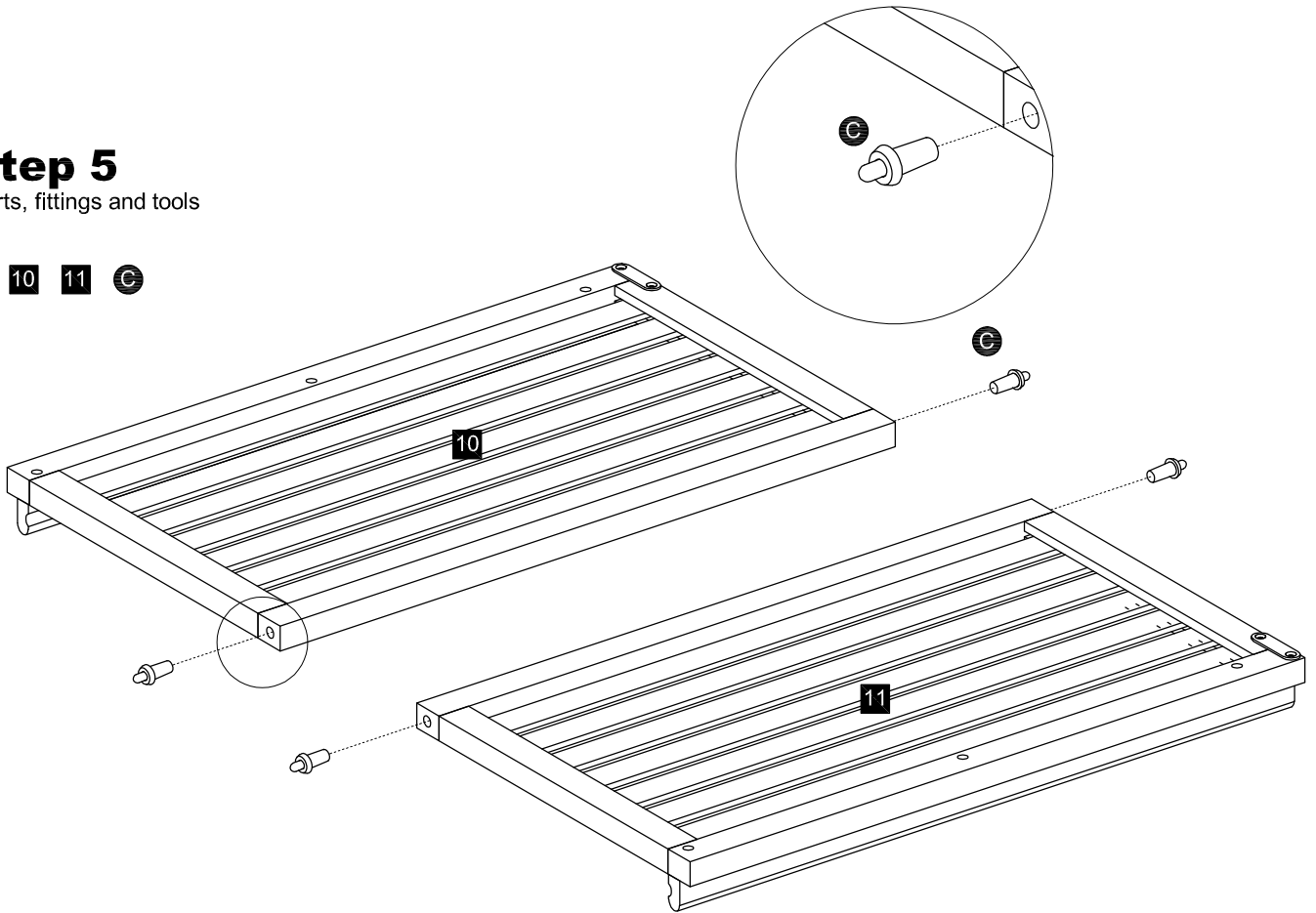
1 2 9 B



Step 5

Parts, fittings and tools

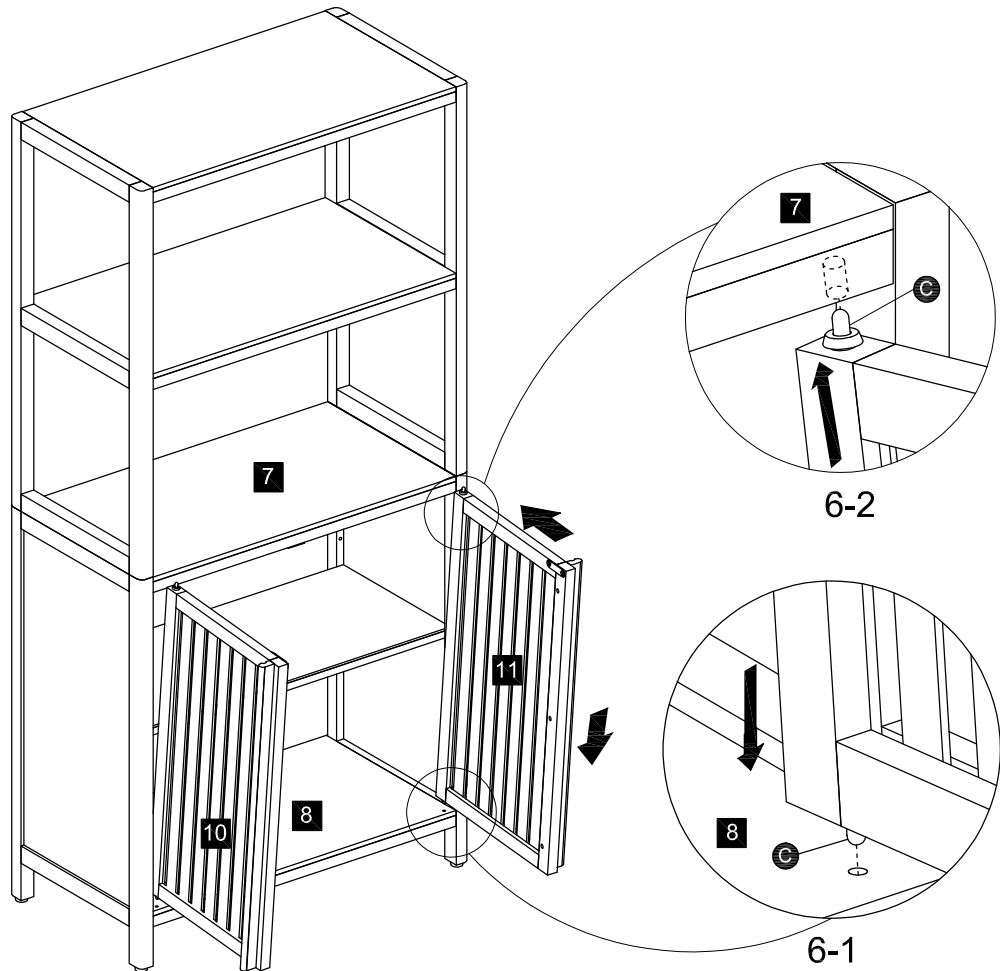
10 11 



Step 6

Parts, fittings and tools

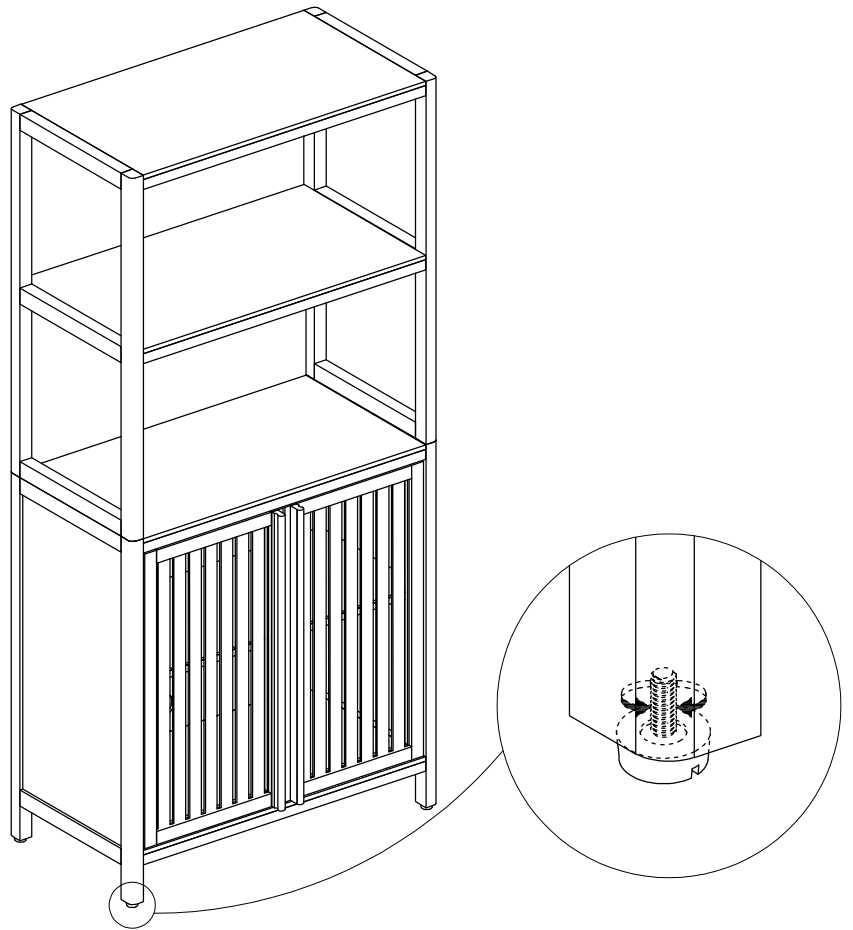
7 8 10 11



Step 7

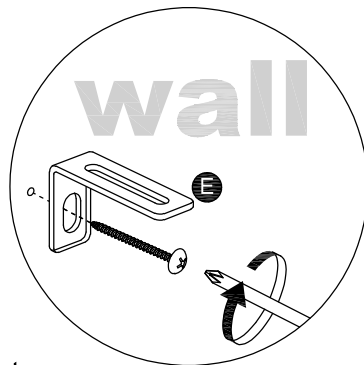
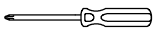
Parts, fittings and tools

Use adjustable leveler if necessary.

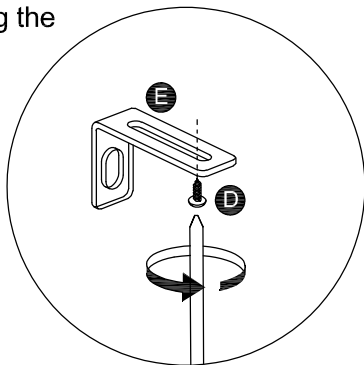


Step 8

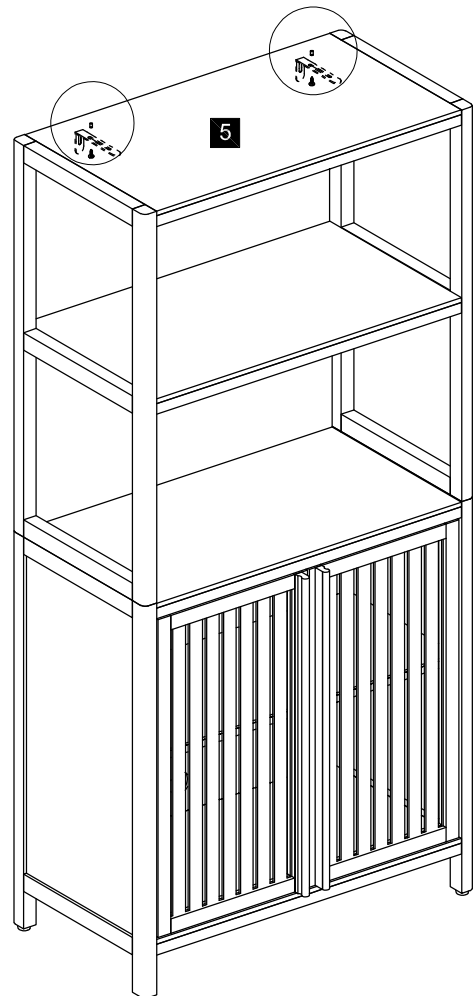
Parts, fittings and tools



8-1



8-2



PLEASE NOTE: For your safety, to prevent the danger of this unit tipping over, it is important to attach the "L" shaped bracket to the wall using the correct wall fixing.