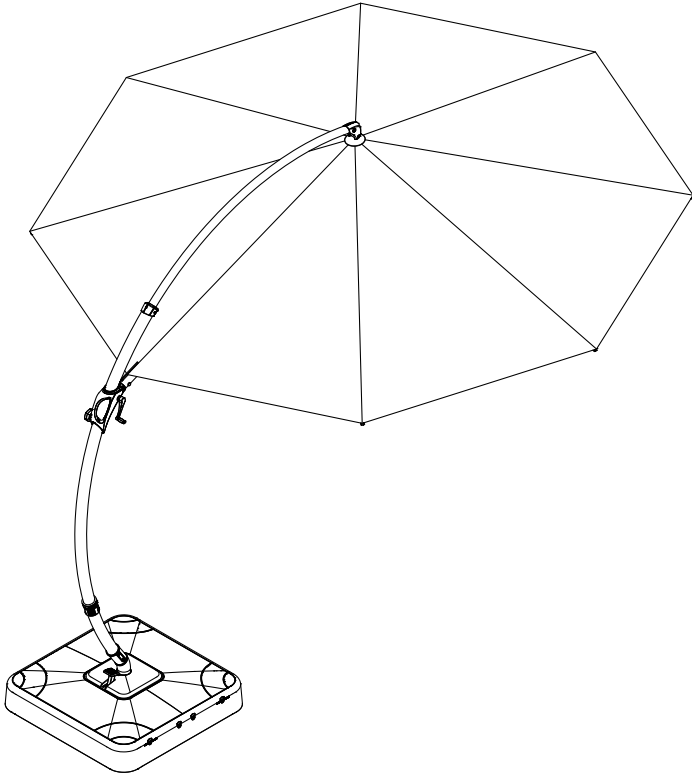
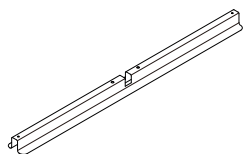


# DELUXE CANTILEVER UMBRELLA

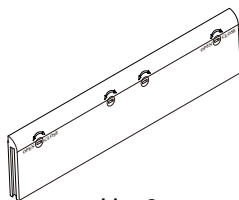
Vibrant Chic Collection



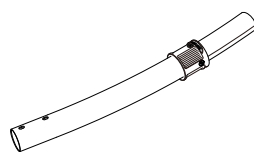
# Component List



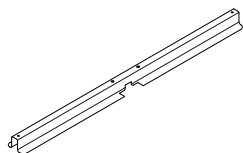
A x 1



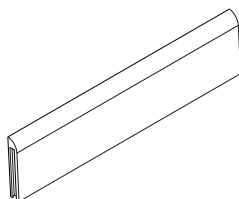
H x 2



N x 1



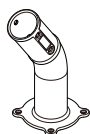
B x 1



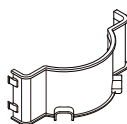
R x 2



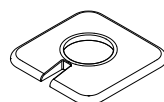
U x 1



C x 1



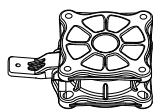
J x 2



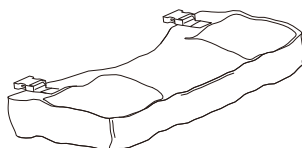
V x 1



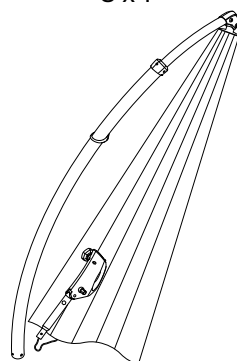
S x 1



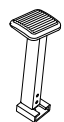
D x 1



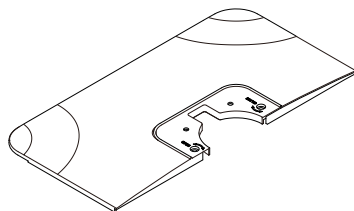
K x 2



P x 1



T x 1



L x 2



G x 4

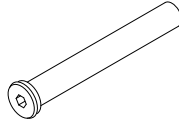


Q x 1

# Component List



PP x 4 (M10 X 30mm)



EE x 3 (Ø 8.8 X M6 X 66mm)



HH x 1 (S5)



QQ x 4 (M10 X 20mm)



FF x 4 (M6 X 15mm)



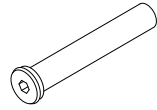
NN x 2 (S4)



DD x 1 (M6 X 10mm)



LL x 2 (M6 X 25mm)



RR x 1 (Ø 8.8 X M6 X 40mm)



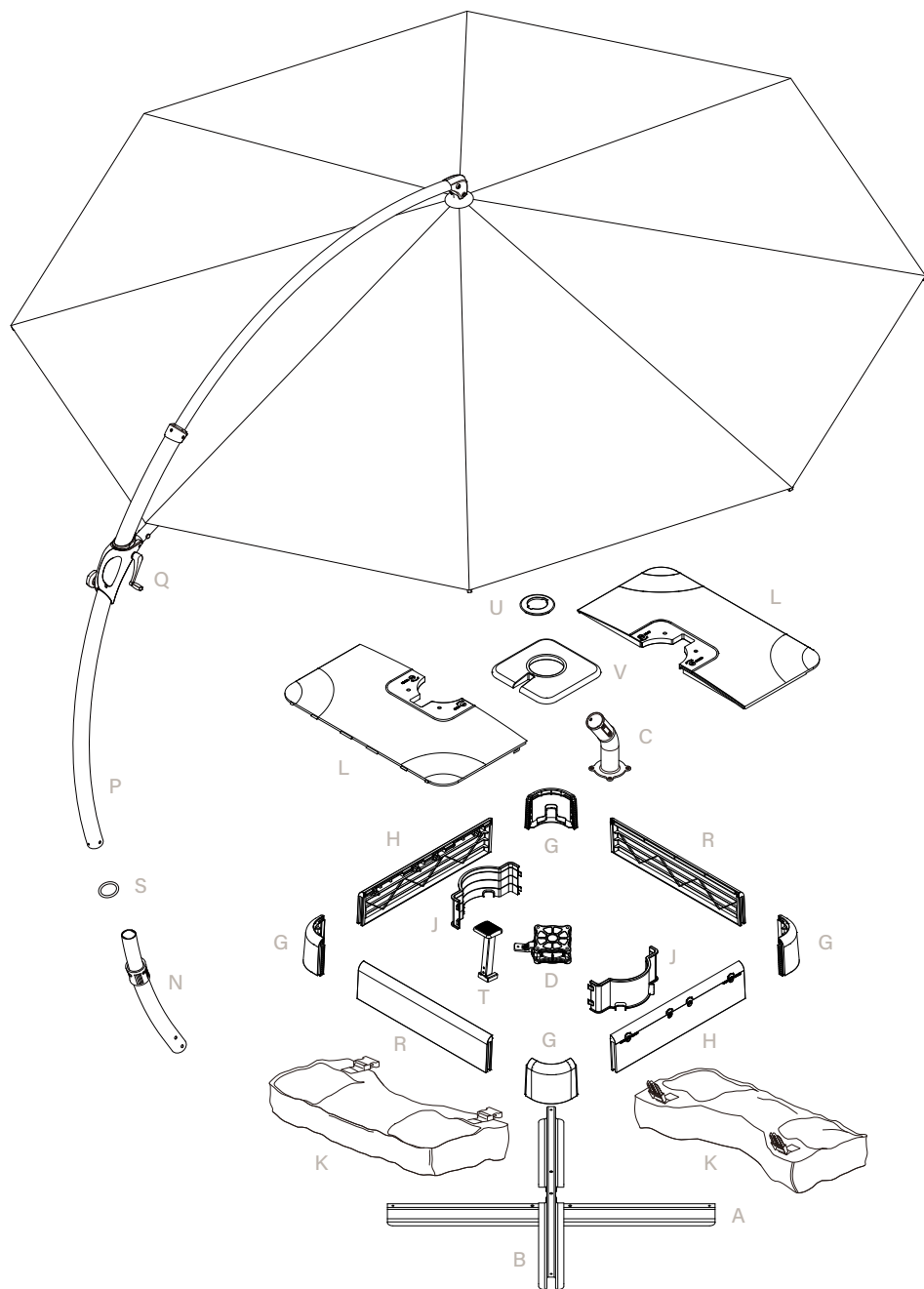
JJ x 1 (S13)



GG x 1 (S8)

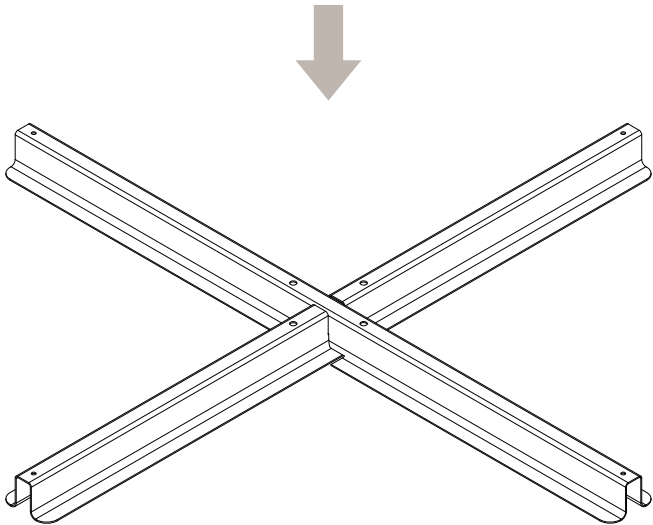
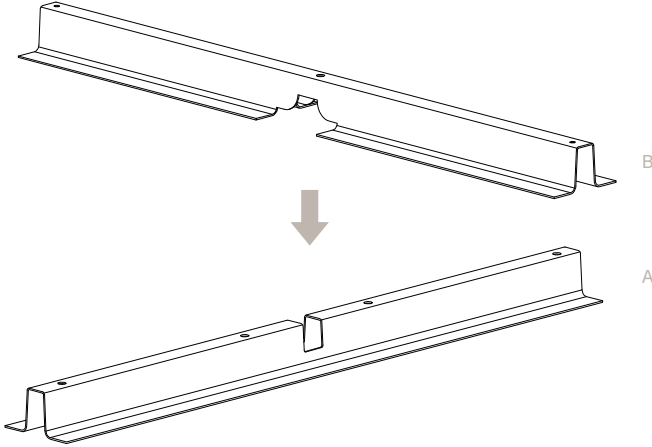
DO NOT FULLY TIGHTEN ALL SCREWS UNTIL ASSEMBLY PROCESS IS COMPLETE.

# Parts

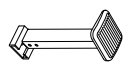
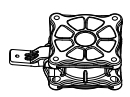


# Base Installation

1.1



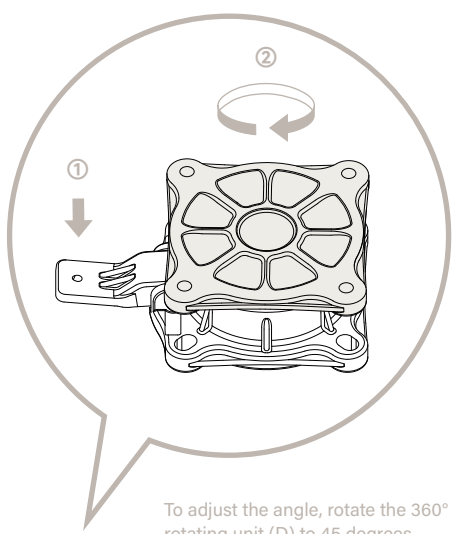
1.2



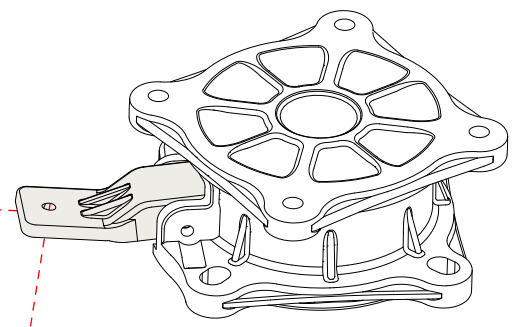
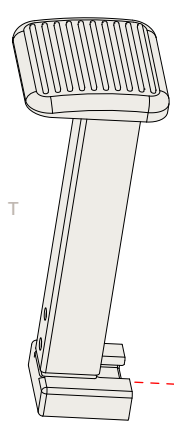
M6 X 10mm DD



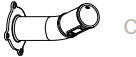
S5 HH



To adjust the angle, rotate the 360° rotating unit (D) to 45 degrees.



1.3



C



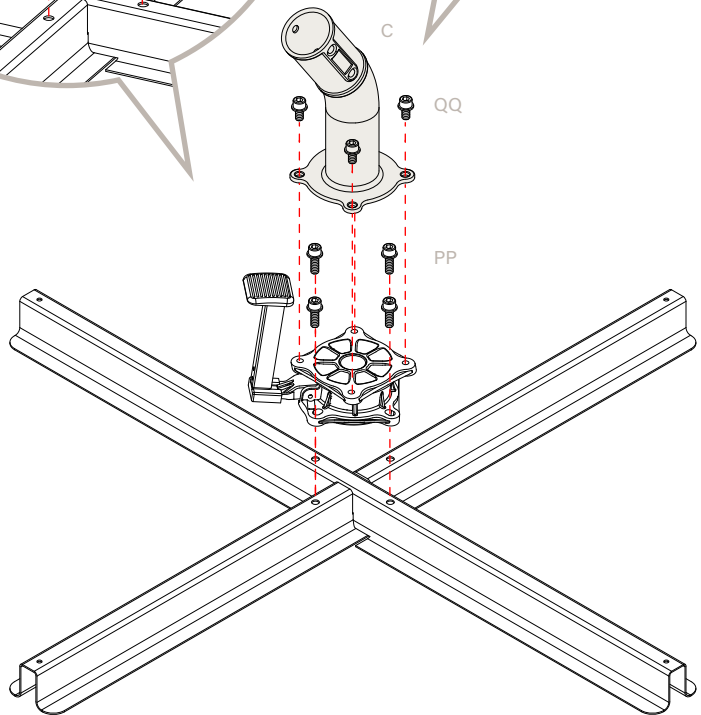
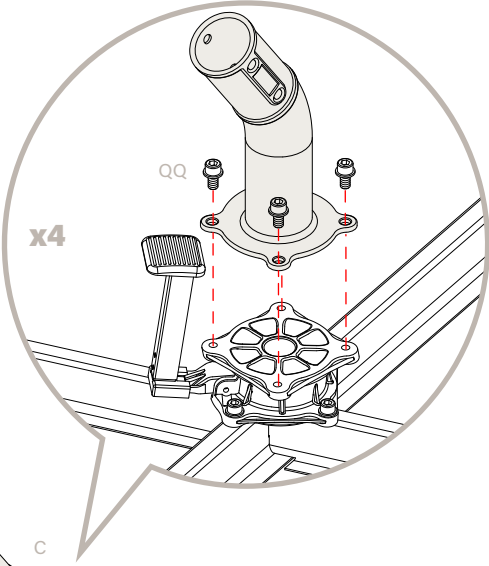
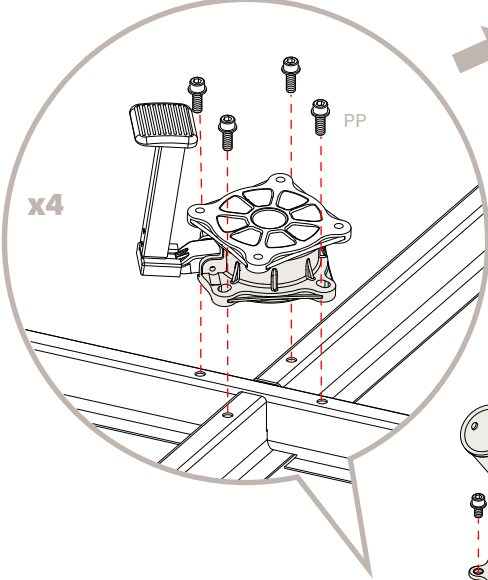
M10 X 30mm PP (x4)



M10 X 20mm QQ (x4)



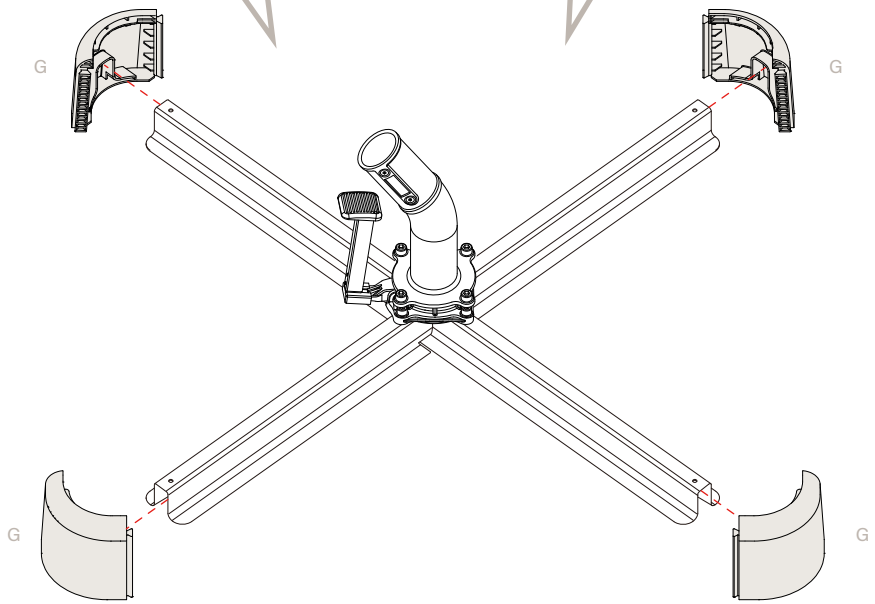
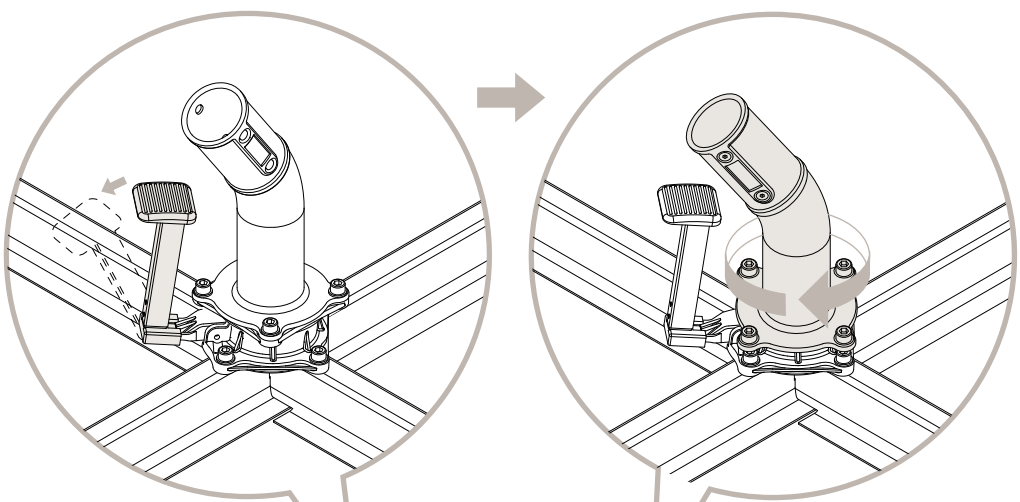
S8 GG



1.4

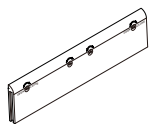


G (x4)



Insert the corner connector (G) into the four ends of the assembled brackets.

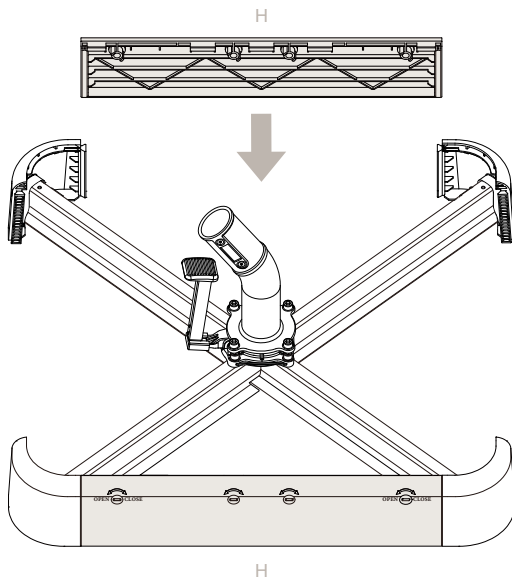
## 1.5



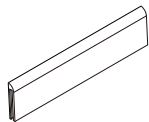
H (x2)



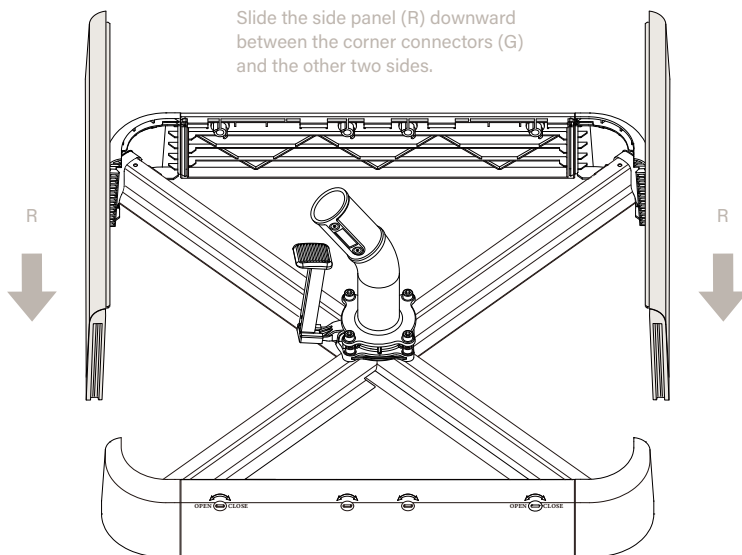
The H panel is the one with a 4-lock system. The 2 H lock penal must be positioned opposite to each other and parallel to the foot pedal direction.



## 1.6



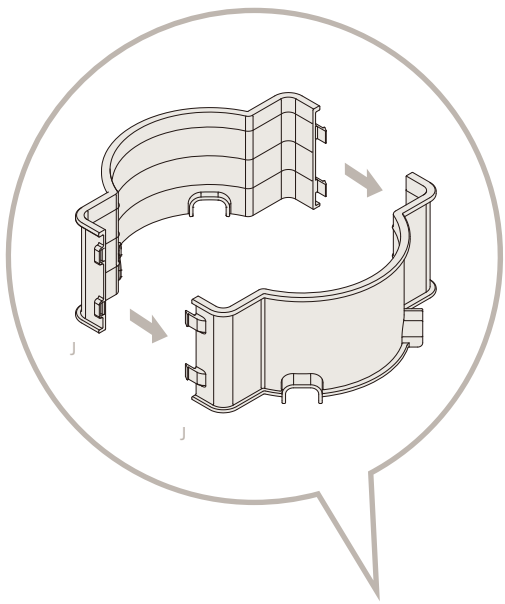
R (x2)



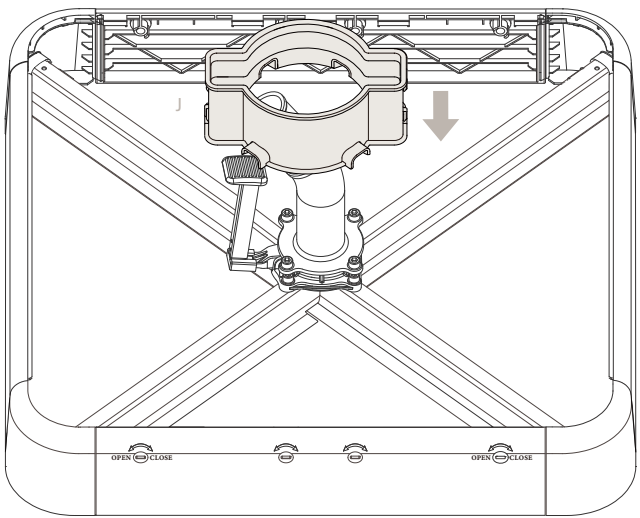
1.7



J (x2)



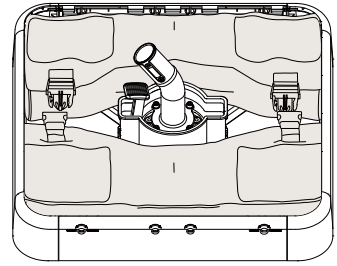
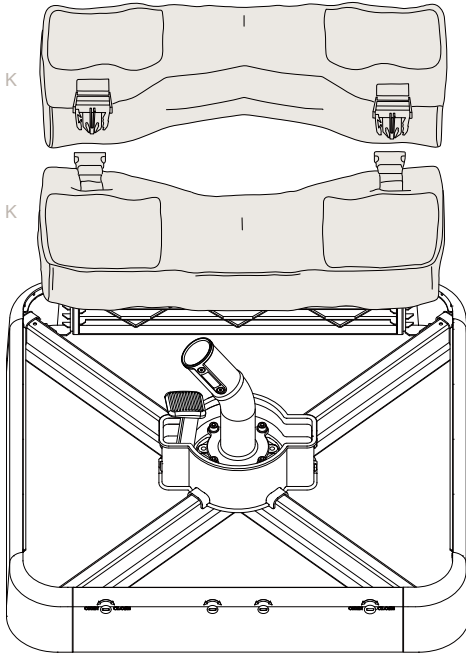
Slide the assembled support tube rim (J) down the base tube (C) and the connect it to the two brackets (A & B).



1.8

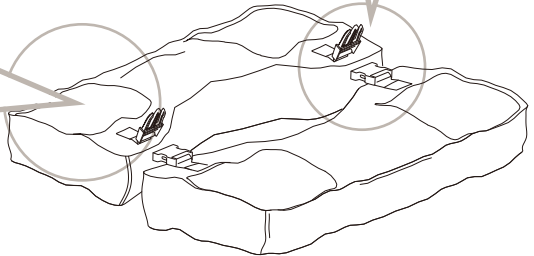
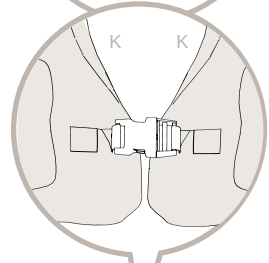
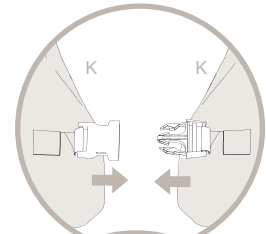
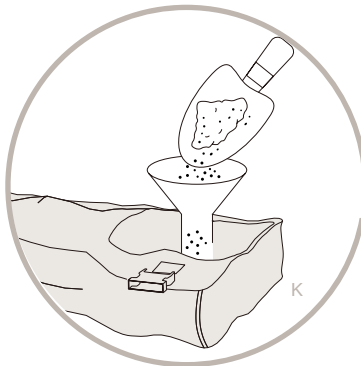


K (x2)

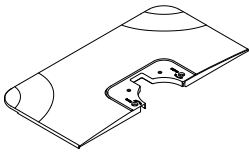


1. Place the sandbag (K) into the umbrella base as the picture shows first.

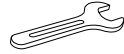
2. Fill the hook and loop sandbag (K) with at least 220lbs of sand by opening the pouch and adding the sand.



1.9

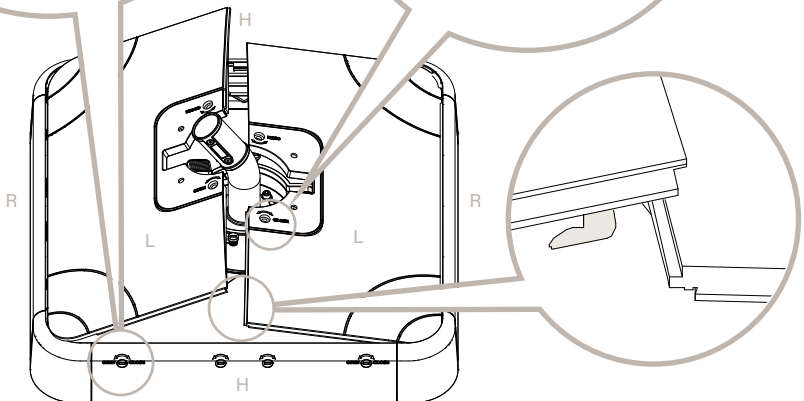
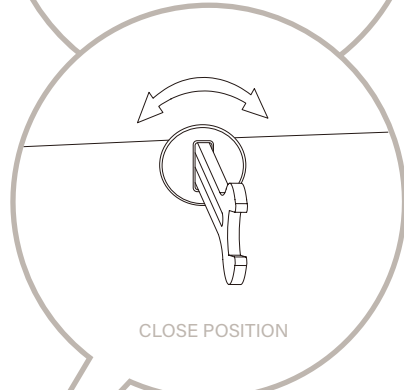
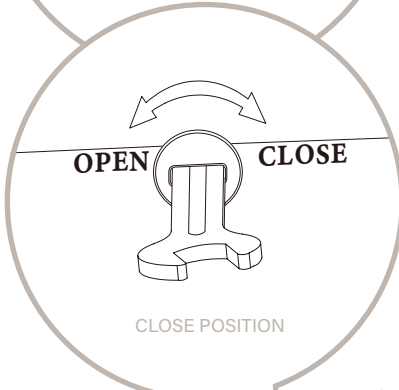
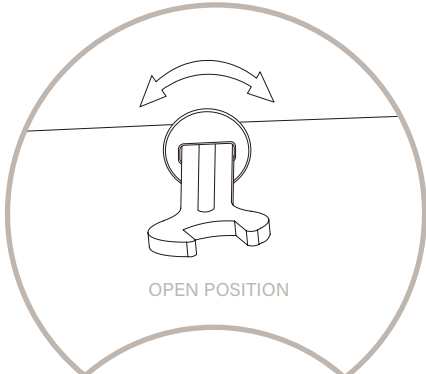
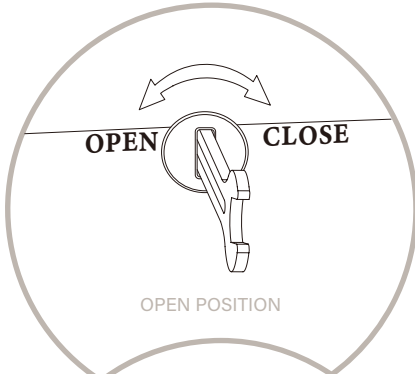


L (x2)



S13 JJ

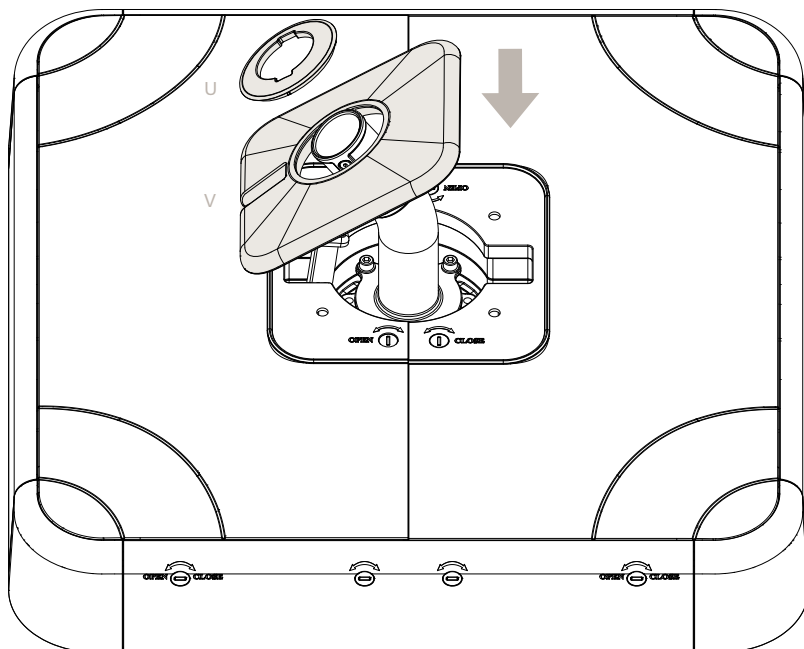
1. Please confirm that the locking mechanism on the lower base cover (L) is in the OPEN position by using wrench JJ.
2. Similarly, by using wrench JJ, please ensure that the locking mechanism on the lock panel (H) is also in the OPEN position.
3. Attach the lower base cover (L) to the side panels (R).
4. Close the lower base cover (L) and ensure that it is fully closed.



## 1.10

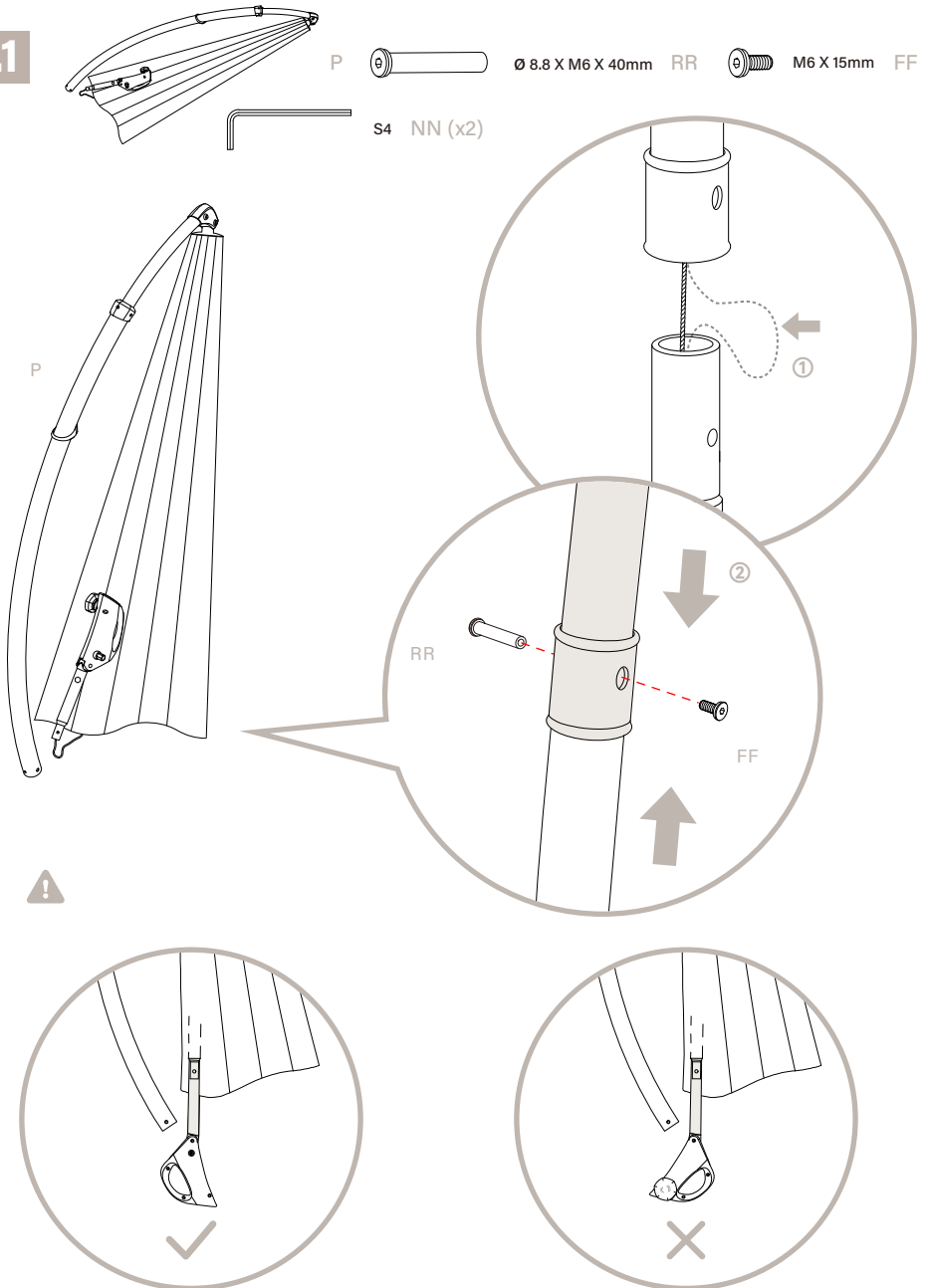


Depress the pedal to a rearward inclination, subsequently affix the upper base cover (V) onto the footplate support arm (T), and then proceed to install the base hole cover (U) onto the upper base cover.

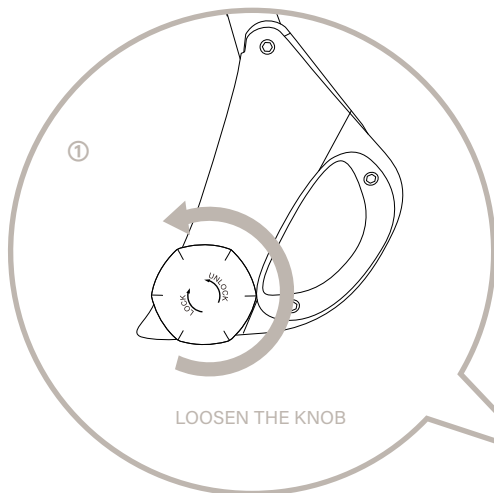


# Umbrella Frame Installation

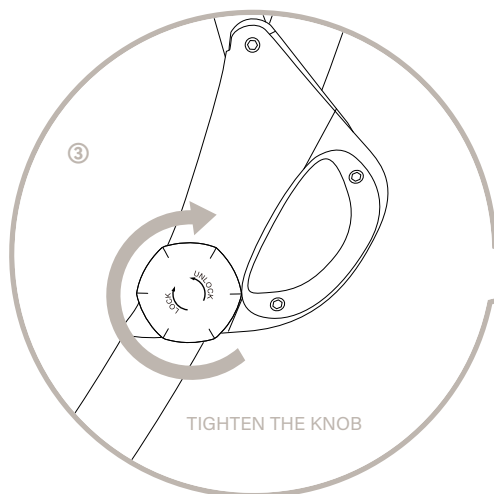
## 2.1



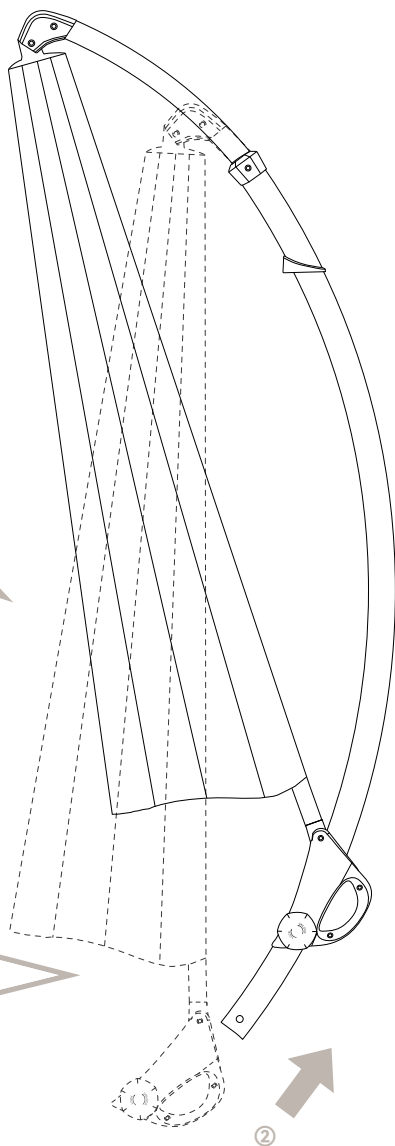
## 2.2



LOOSEN THE KNOB



TIGHTEN THE KNOB




Insert main tube into  
the umbrella handle (P).

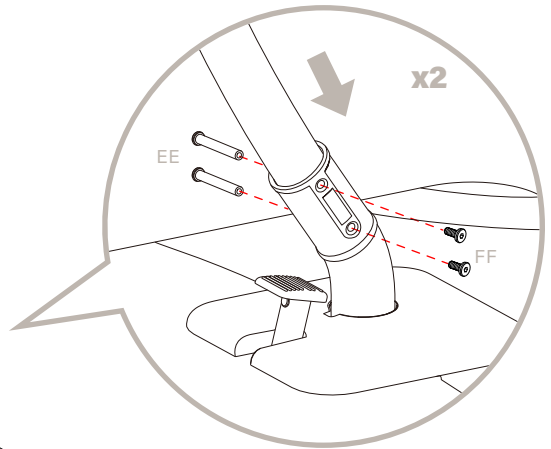
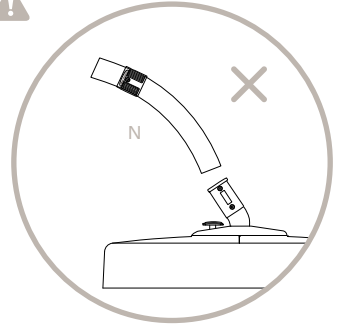
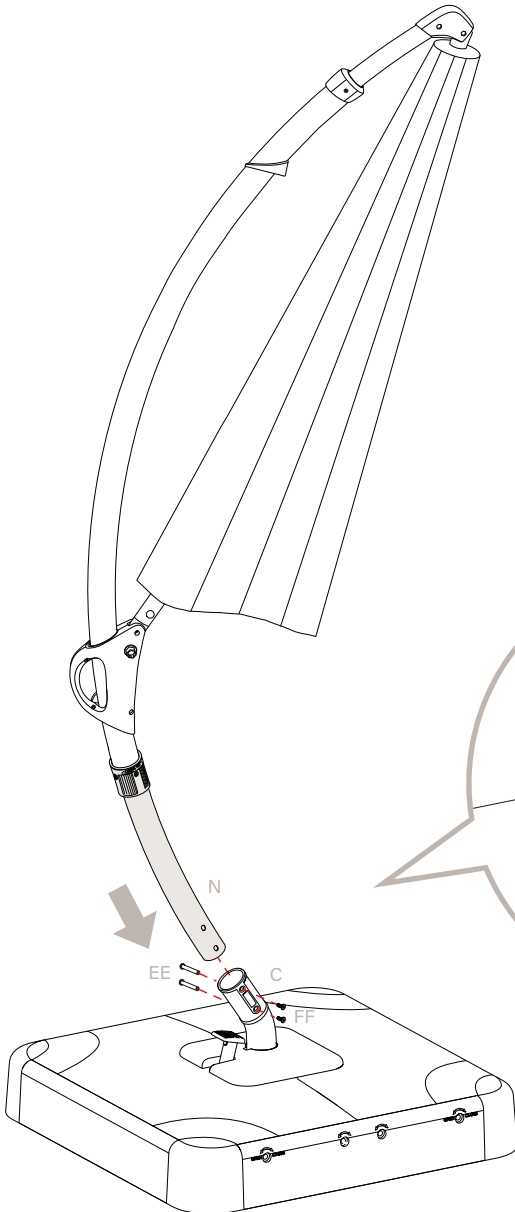


## 2.4

 Ø 8.8 X M6 X 66mm EE (x2)

 M6 X 15mm FF (x2)

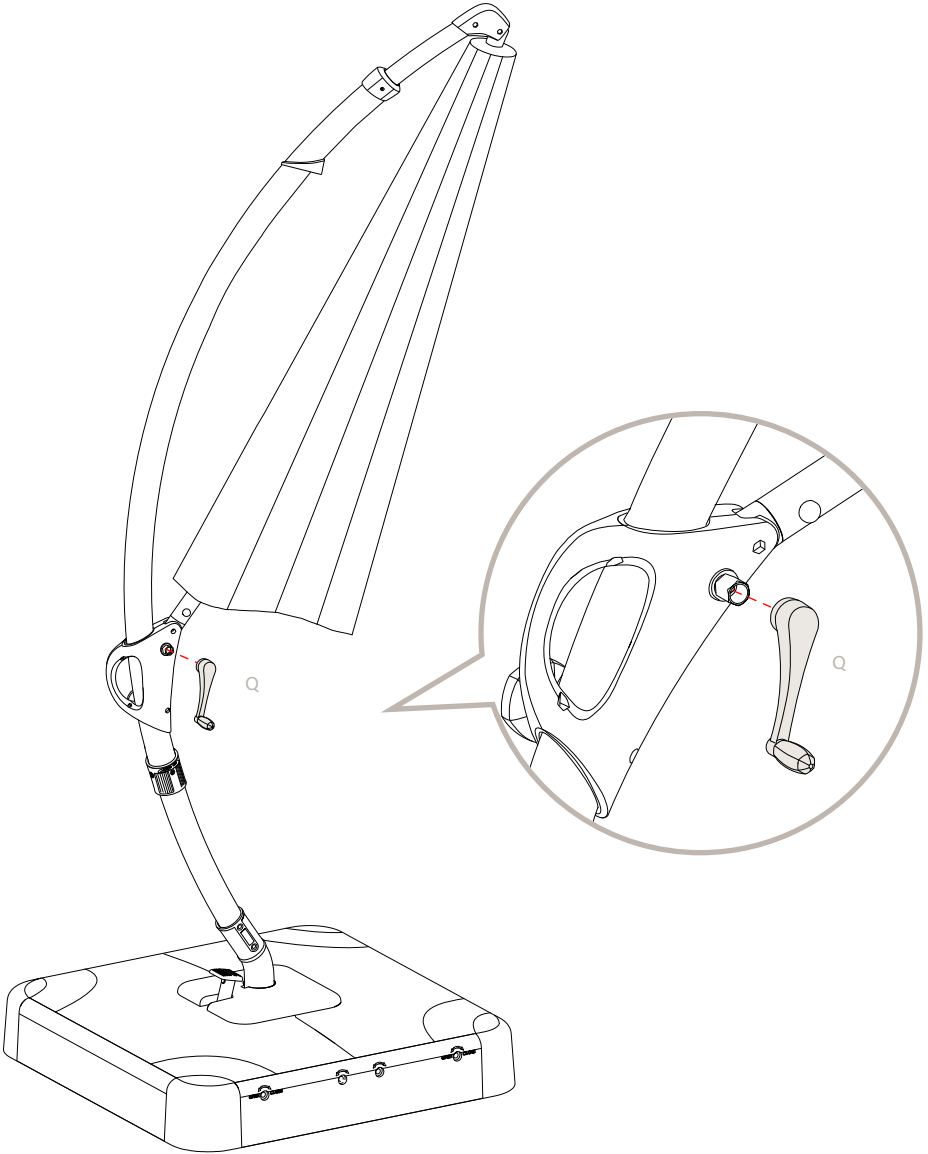
 S4 NN (x2)



2.5



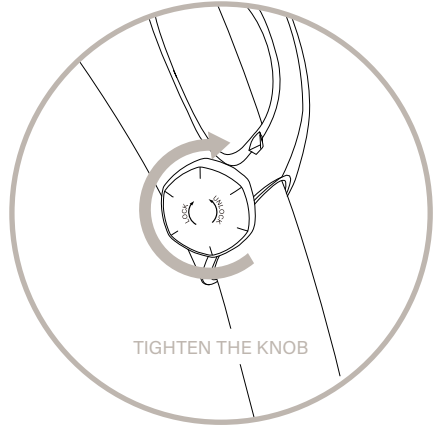
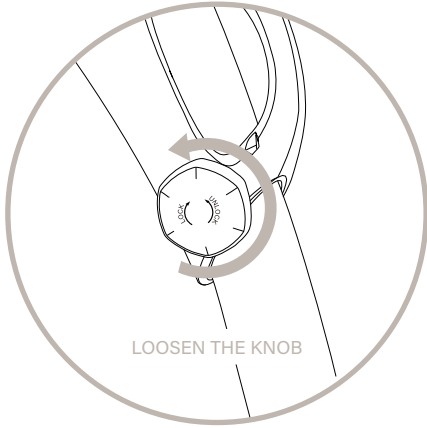
Q



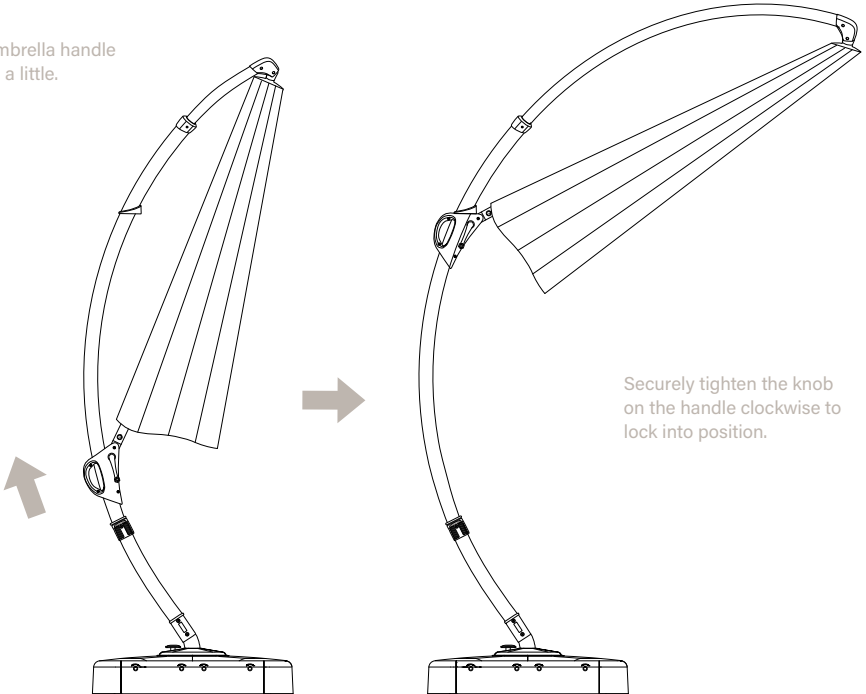
# Umbrella Use & Storage

**3.1**

Loosen the knob on the handle by turning it counter clockwise.

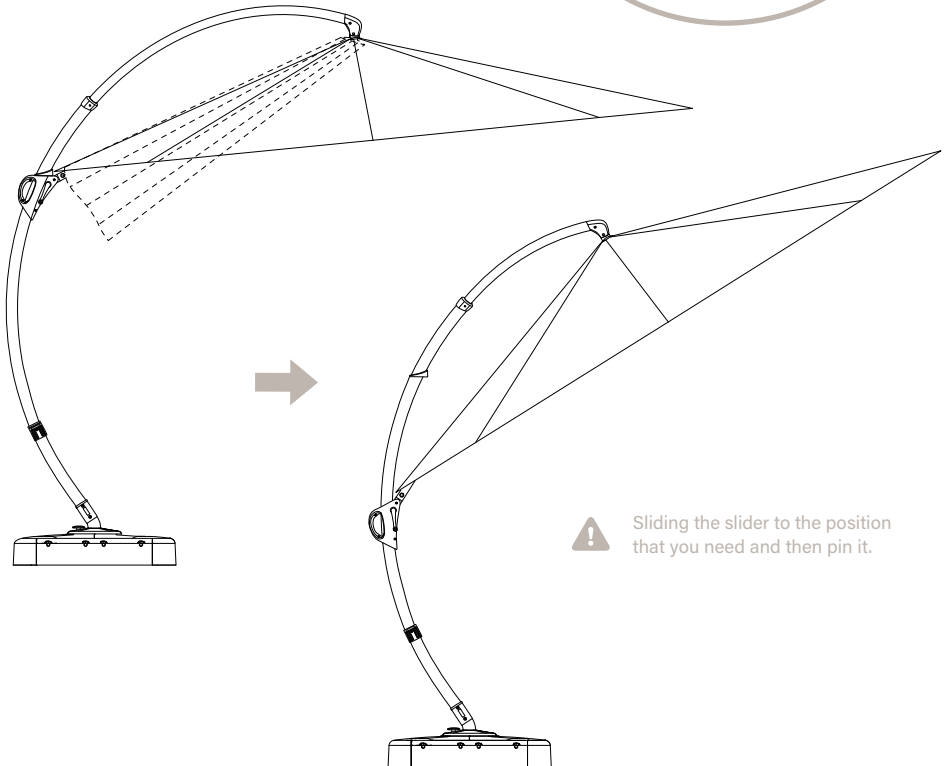
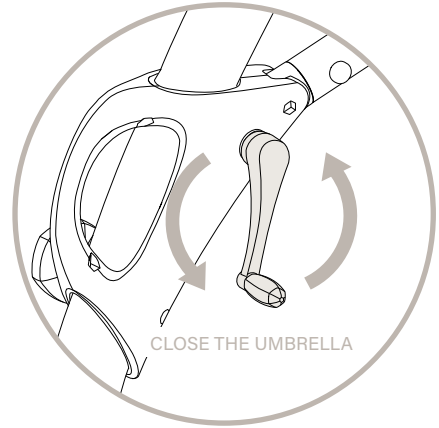
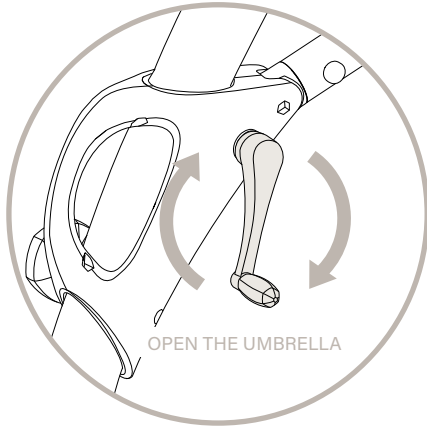


Slide umbrella handle upward a little.



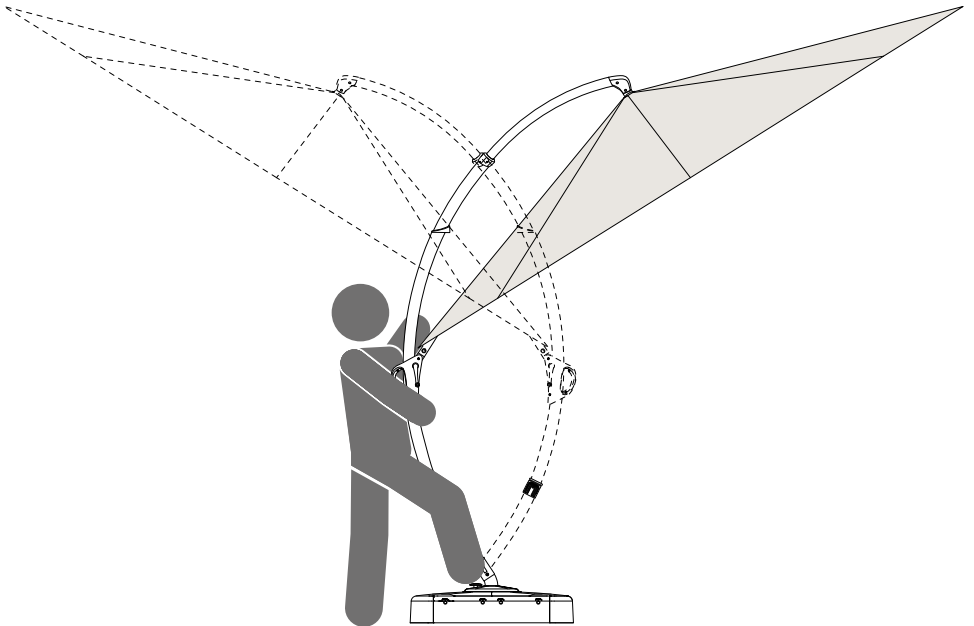
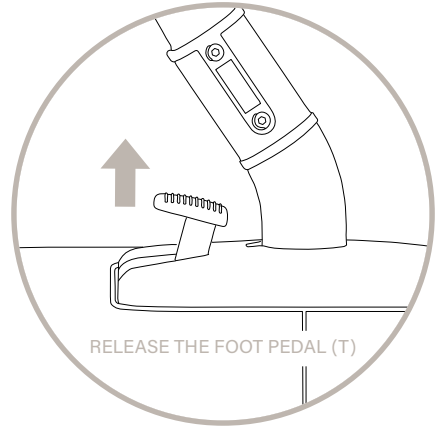
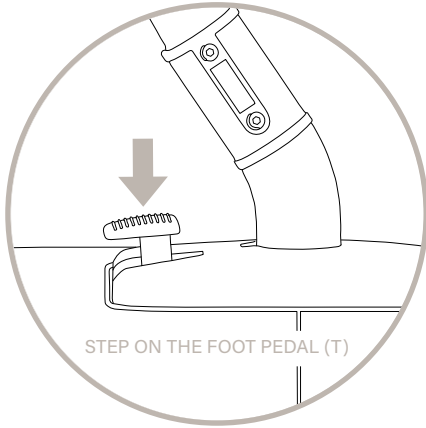
**3.2**

1. Slowly turn the crank (Q) clock-wise to open the umbrella, loosen the knob on the handle by turning it counter clockwise.
2. Slide umbrella handle upward until the pole is fully extended and stops.
3. Securely tighten the knob on the handle clockwise to lock into position.



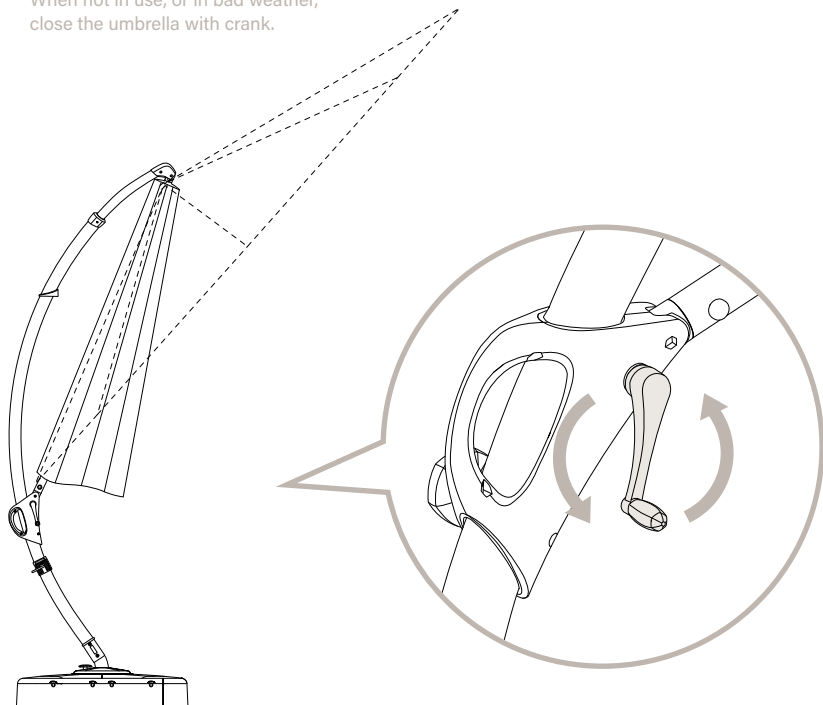
**3.3**

Step on the foot pedal (T) to allow 360° rotation of umbrella.  
Release the foot pedal (T) when the desired position is reached.

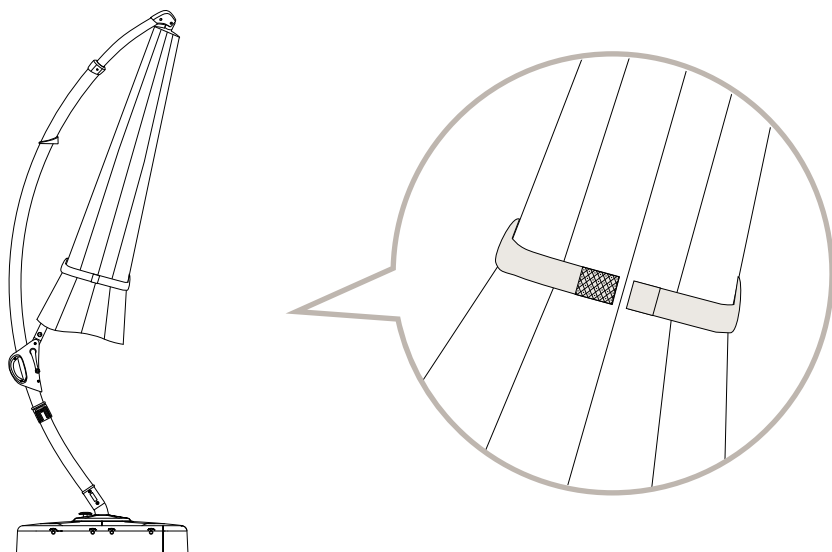


**3.4**

When not in use, or in bad weather, close the umbrella with crank.

**3.5**

Attach the umbrella shade with the pole using the fabric tie.



# Attaching and Detaching the Crank

1. The part Q crank handle can be installed in two ways as shown in Figure 1.
2. To remove the part Q crank handle:  
if the handle is in the snap-on connected state, please use the hex wrench,  
if not, please simply take it out.

