

BARSTOOL

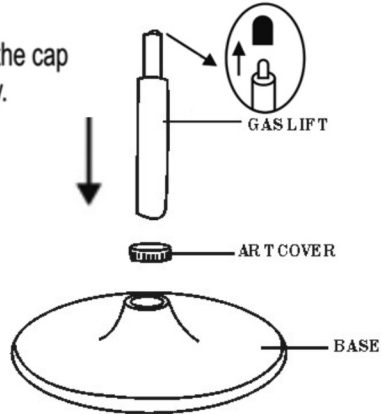
ASSEMBLY INSTRUCTION

ITEM NO.: F1587 / F1588

ASSEMBLY PROGRAM

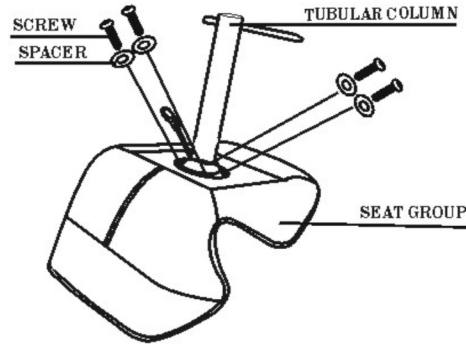
STEP 1

Please remove the cap before assembly.

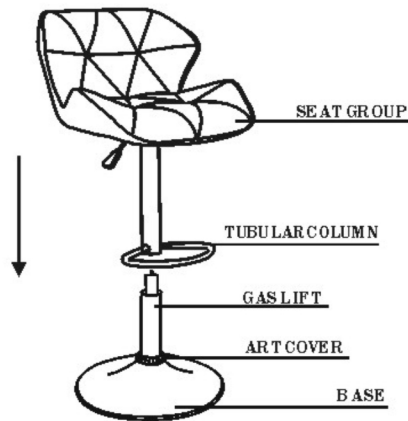


STEP 2

Put the parts in place and align the screw holes. Then pre-tighten the screws as indicated. Only tighten the screws in all positions once all holes are aligned and screws are in place.









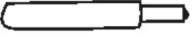
STEP 3



FINISH



PARTS x QTY

SEAT GROUP x1 	ART COVER x1 
TUBULAR COLUMN x1 	SCREW x4 
BASE x1 	SPACER x4 
GAS LIFT x1 	SPANNER x1 