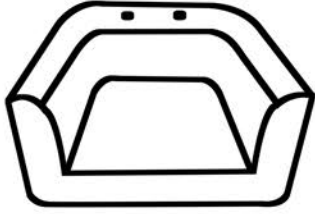


ASSEMBLY INSTRUCTION

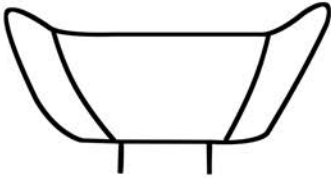
(A)X1



(F)X1



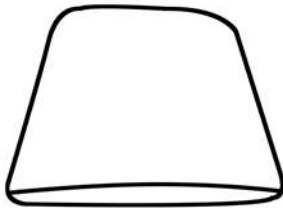
(B)X1



(G)X1



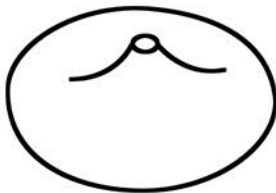
(C)X1



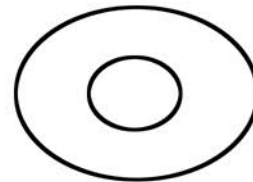
(H1)X4



(D)X1



(H2)X4



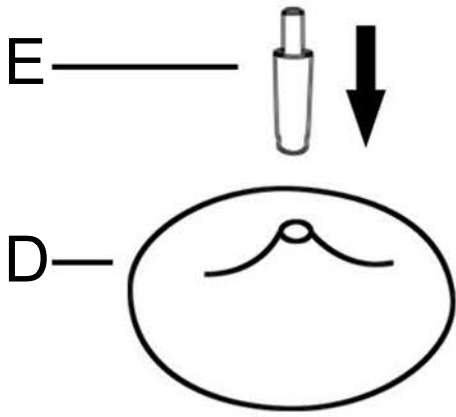
(E)X1



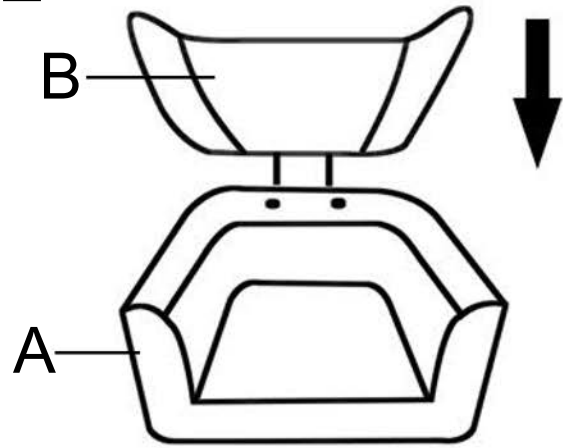
(H3)X1



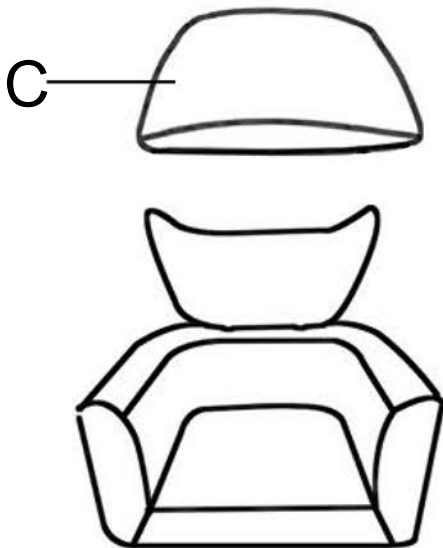
1



2

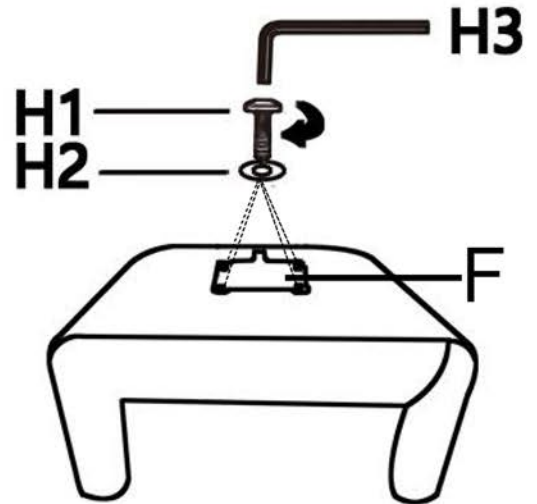


3

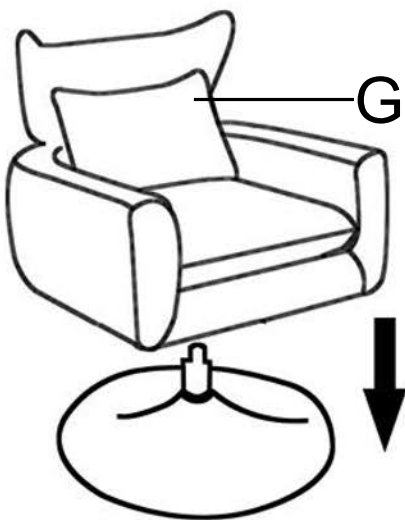


Attach the Seat Cushion into the Seat base as shown.

4



5



6

