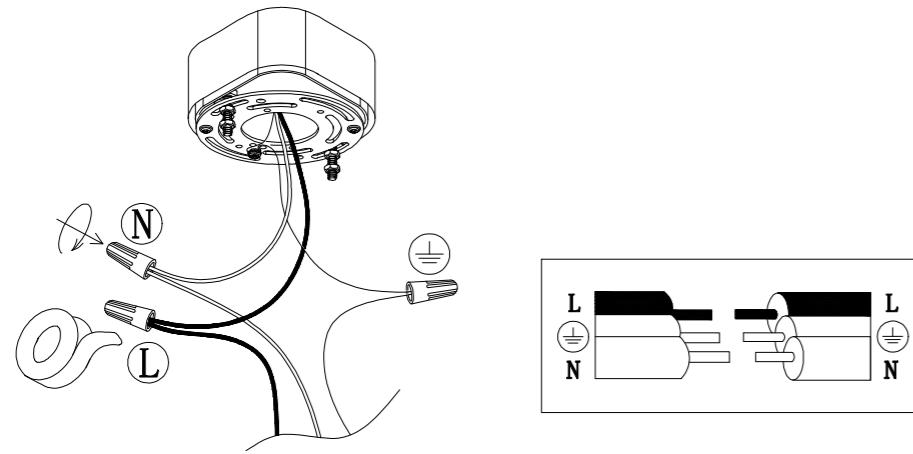
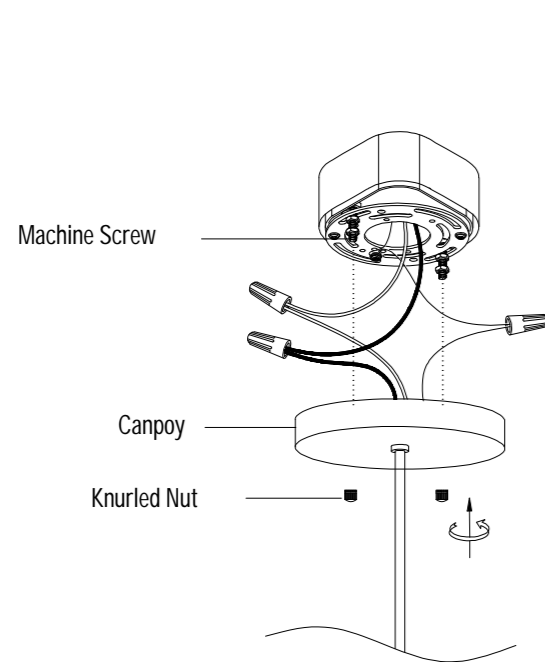


5. CONNECT THE WIRES



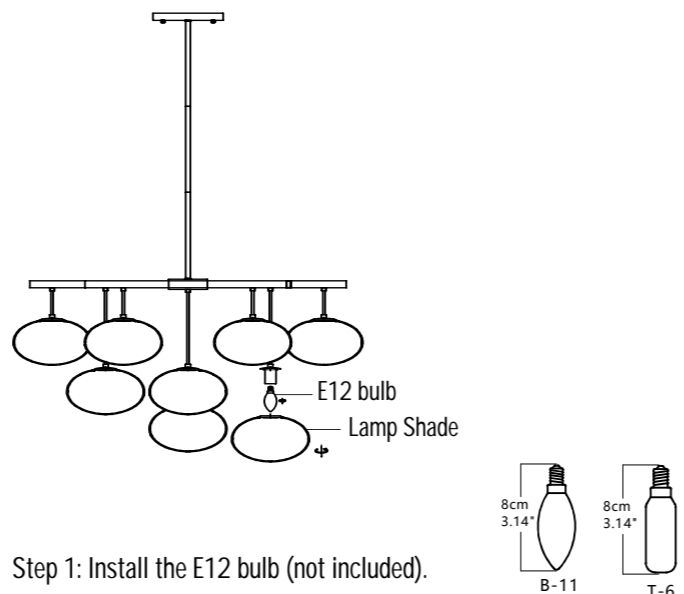
- Step 1: Wrap the ground wire from the outlet box around the Ground Screw on the Mounting Bracket, and then connect the ground wire from the fixture to the ground wire from the outlet box.
- Step 2: Connect the wires from the fixture to the house supply wires, neutral wire (white) to neutral wire, and hot wire (black) to hot wire.
- Step 3: Spread apart the wires so that the hot wires are on one side of the outlet box and the neutral wires are on the other.

6. FIX THE CANOPY



Fix the canopy onto the Mounting Bracket with Knurled nut.

7. INSTALL BULB AND LAMP SHADE



- Step 1: Install the E12 bulb (not included).
- Step 2: Install the Lamp Shade.

NOTE:

This lamp uses E12 bulbs base and can only be used in conjunction with LED bulbs up to 6W. Fully dimmable when used with dimmable bulbs and compatible dimming switches (not included). The total height of the bulbs can not exceed 10cm/3.93".

INSTALLATION MANUAL

CHANDELIER

Model No.: QLP011BB-11A

TOOLS REQUIRED



Ladder



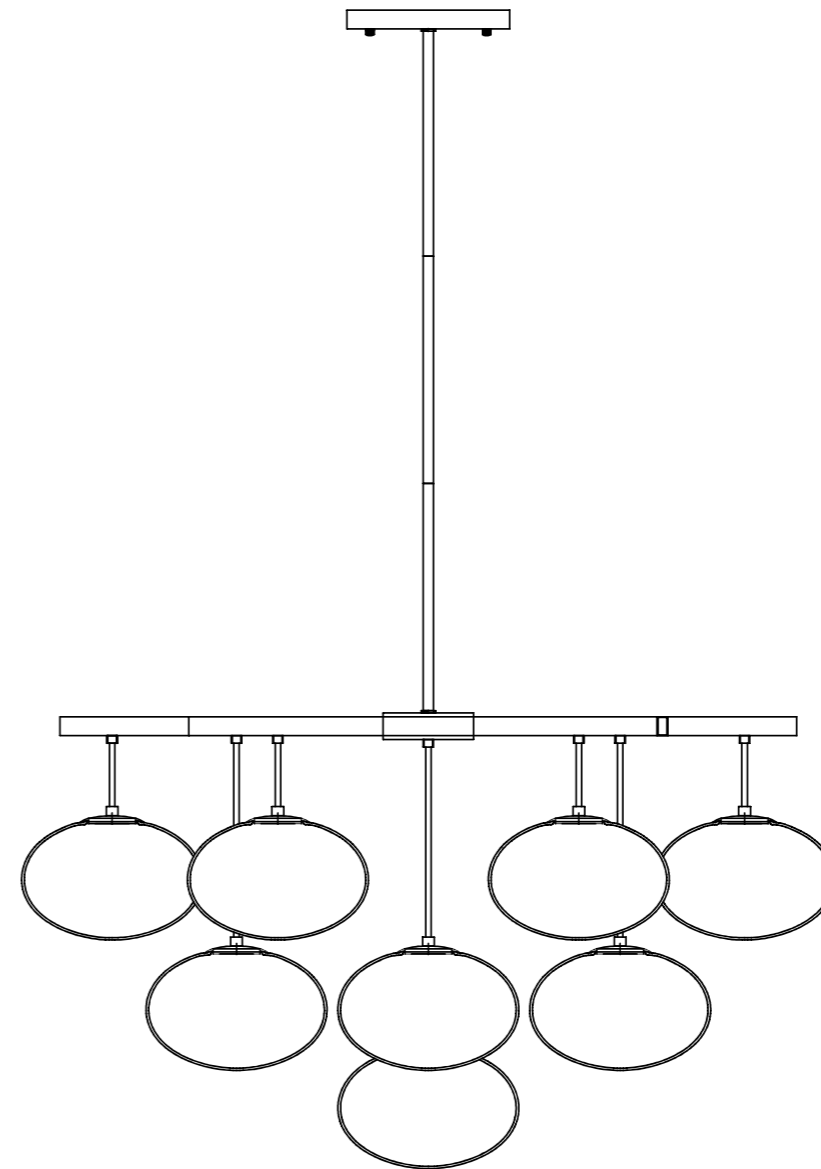
Pliers



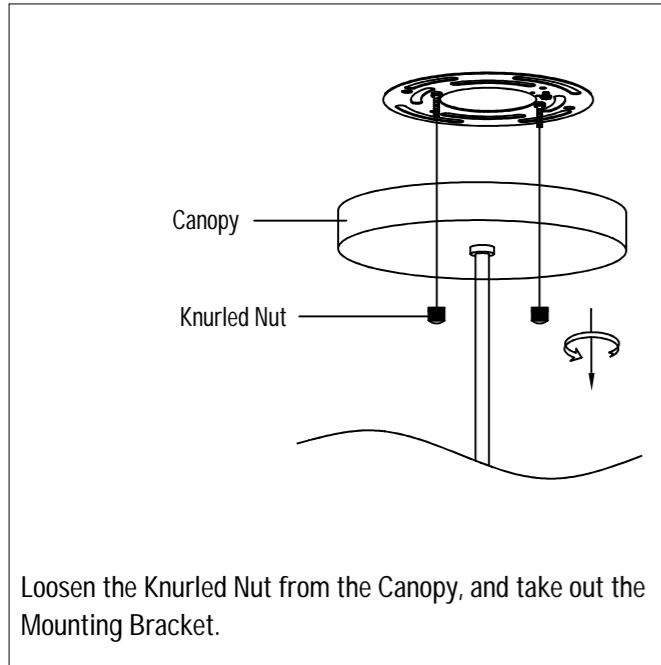
Wire Strippers



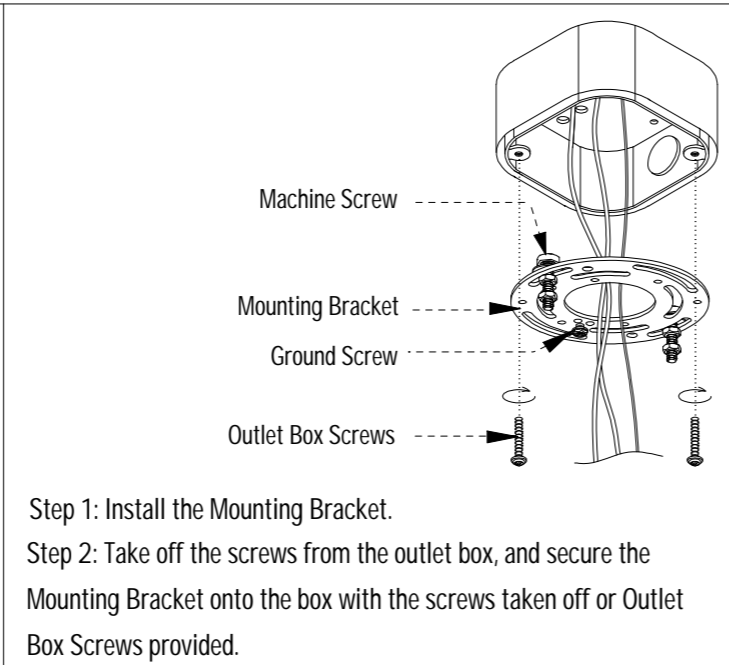
Screwdrivers



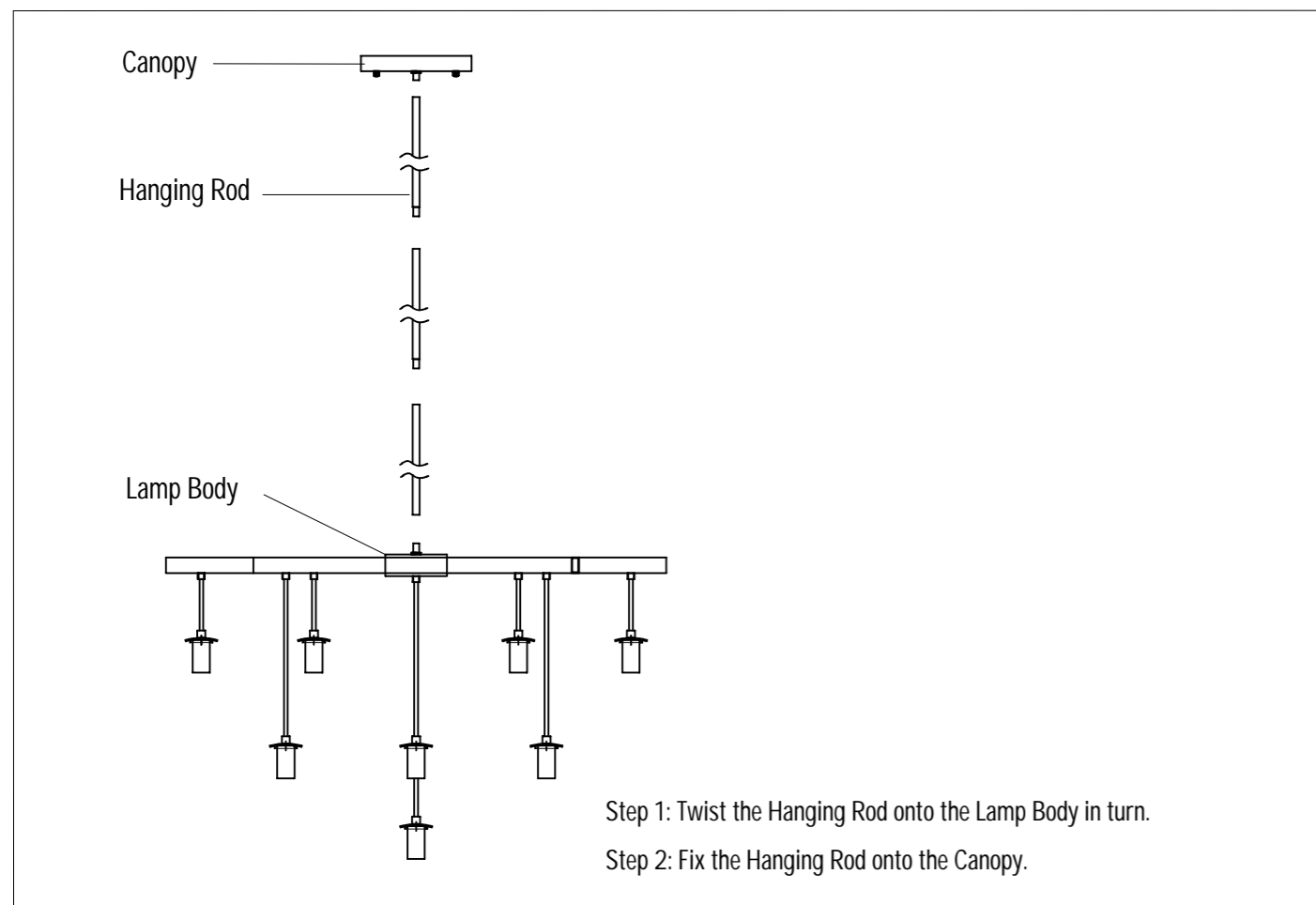
1. TAKE OUT THE MOUNTING BRACKET



2. INSTALL THE MOUNTING BRACKET



3. INSTALL THE HANGING ROD



4. COMPLETE HANGING ROD INSTALLATION

