

Brightwork Home Collection

Hammered Stainless Steel Rectangular Undermount Bathroom Sink

model:

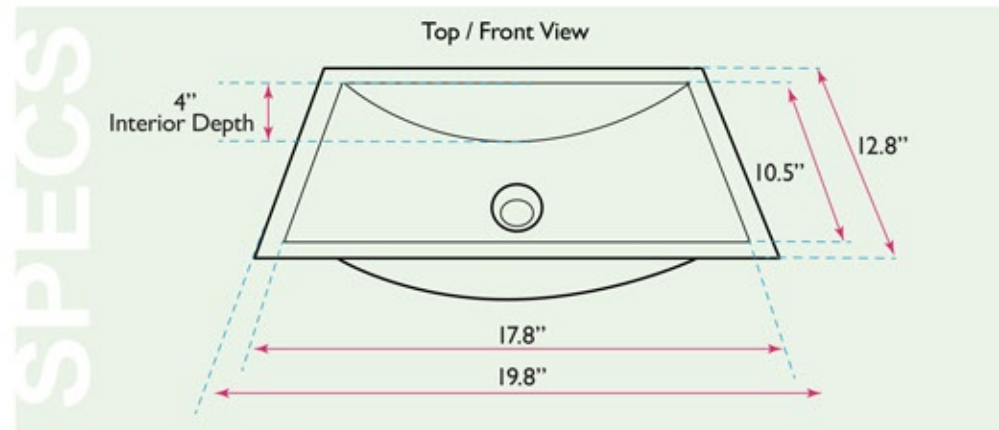
WFBWC030820191



Nantucket

S I N K S

www.NantucketSinksUSA.com
info@nantucketsinksusa.com



OVERALL DIMENSIONS	INTERIOR BOWL	BOWL DEPTH	DRAIN OPENING	OVERFLOW
19.8" x 12.8"	17.8" x 10.5"	4.375"(ext.); 4"(int.)	1.5" Opening	No

FEATURES:

- Premium Stainless Steel bathroom sink
- No Overflow
- 18 Gauge Stainless Steel
- Hand hammered, individual variations will exist
- Limited lifetime manufacturer's warranty
- Nominal Dimensions - actual may vary by 1/4"
- Fits a 22" cabinet base minimum
- Professional installation recommended

Project Name: _____

Architect / Contractor: _____

Job Notes: _____
