

SETUP INSTRUCTIONS

Figure 1

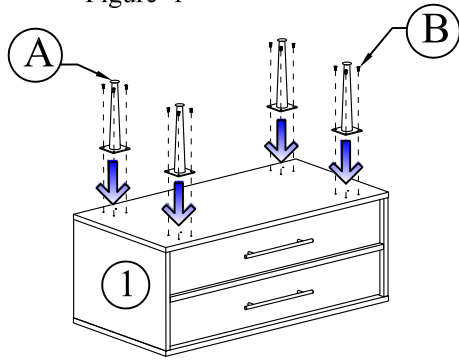


Figure 2

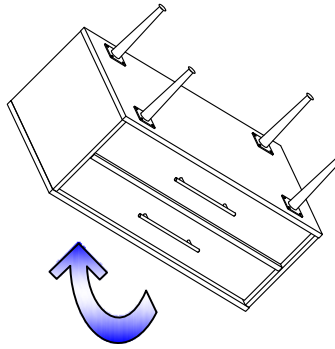


Figure 3

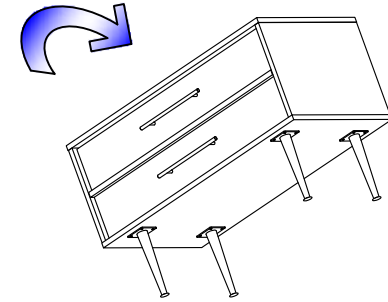


Figure 4

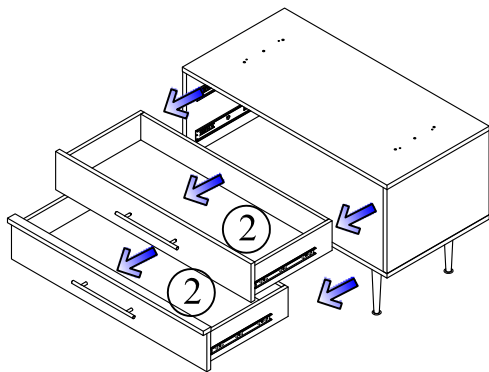


Figure 5

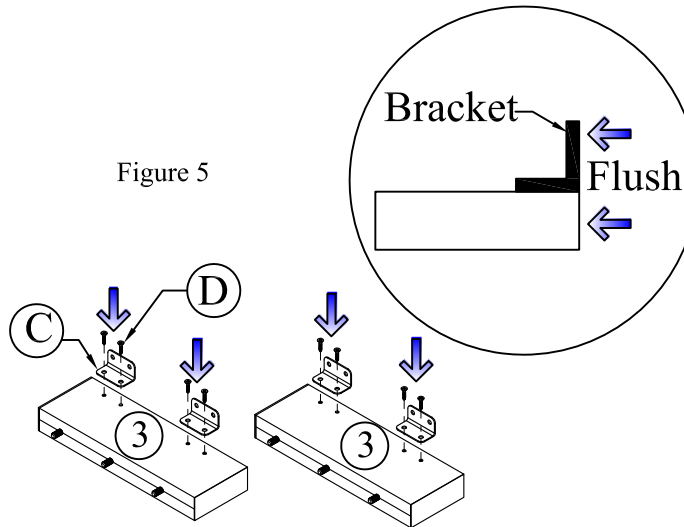
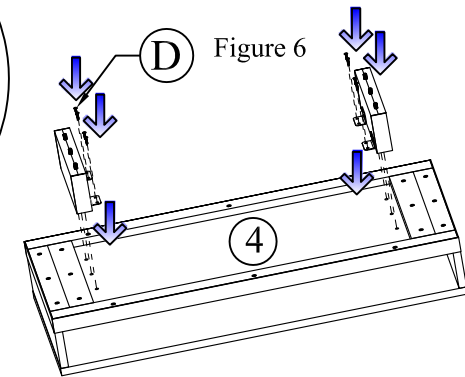


Figure 6



Tools required:
Phillips drive

1. Unpack all from the box.
2. Place the unit upside down on a soft surface.(can use the protective foam) . (Fig. 1).
3. Install four Metal Legs (A) using four 13mm Euro screws (B) for each leg, Use the pilot hole as reference (Fig.1).
4. Turn in the furniture (Fig. 2 and 3).
5. Remove drawers (Fig. 4)
6. Install two L-BRACKET (C) to the two SUPPORTS (3) using pilot holes and eight 6x $\frac{3}{4}$ " Drywall screws (D). (Fig. 5)
7. Install Two Supports (3) to the part # 4 using eight 6x $\frac{3}{4}$ " Drywall screws (D) (Fig. 6)

No:	Hardware List	Qty
A	 METAL LEG	4
B	 13 mm EUROSCREW	16
C	 L-BRACKET	4
D	 6 X 3/4" DRYWALL SCREW	16
E	 GROMMET	1
F	 6 X 2 DRYWALL SCREW	4

SETUP INSTRUCTIONS

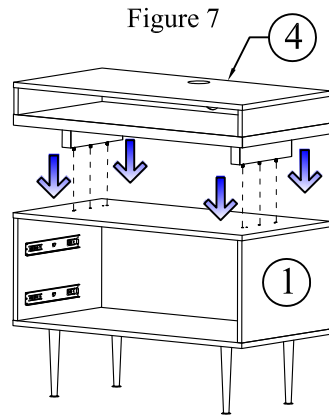


Figure 7

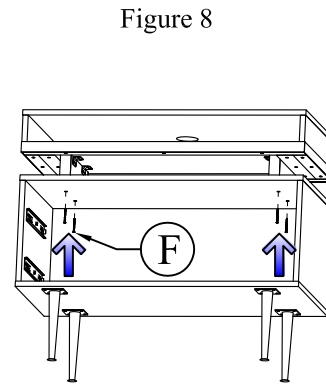


Figure 8

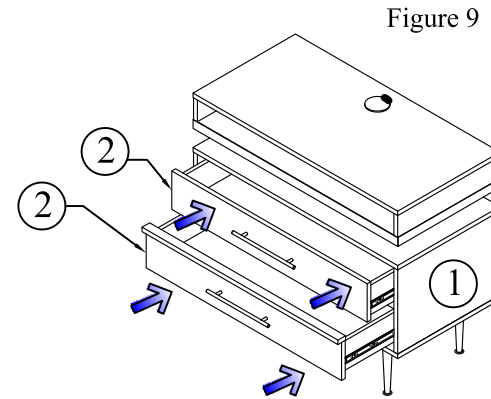


Figure 9

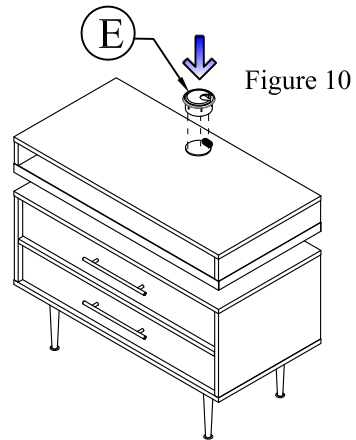


Figure 10

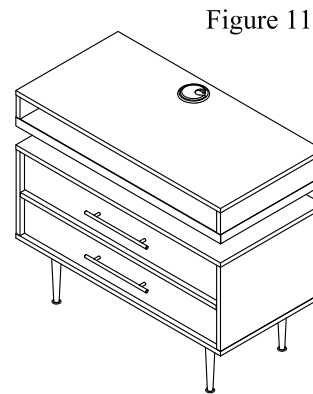


Figure 11

1. Install Two Supports (3 and 4) to the TOP (1) (Fig. 7)
2. Secure the units using four 6x2" Drywall screws. (F) (Fig. 8).
3. Put back DRAWERS (2) removed in step(5)
4. Install GROMMET (E) (Fig.10)