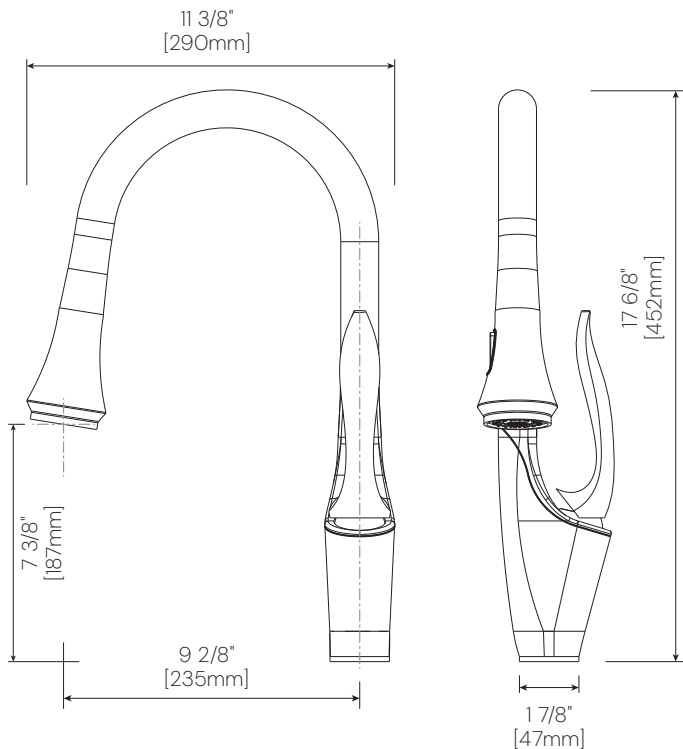


# KITCHEN FAUCET

C59.PD01

**CRANACH**  
BATH & KITCHEN



## FEATURES

- Retractable Design  
Pull to use, freely extendable for thorough cleaning without dead angles.
- One-press Water Mode Switching  
User-friendly press-type switching, easily change water modes with a gentle press.
- Hot & Cold Dual Control  
Instant response mixing technology ensures precise temperature control.

## SPECIFICATION

- Inlet: G 1/2" female connection
- Finish Availability: Polished Chrome/Matte Black/Brushed Nickel/Brushed Gold

## FLOW

- 1.8 GPM @ 60 PSI MAX

## WARRANTY

- Parts and Finish: Limited lifetime warranty for residential, or 10 years for commercial purchasers and multi-family (apartments and condominiums) residential, in each case from the date of purchase.

## STANDARDS

- ASME A112.18.1/CSA B125.1

*Cranach deserves the right to make changes in specifications and materials and to change or discontinue models both without notice or obligation. Dimensions are only for reference only.*