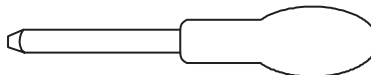


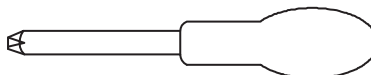
2 PERS.



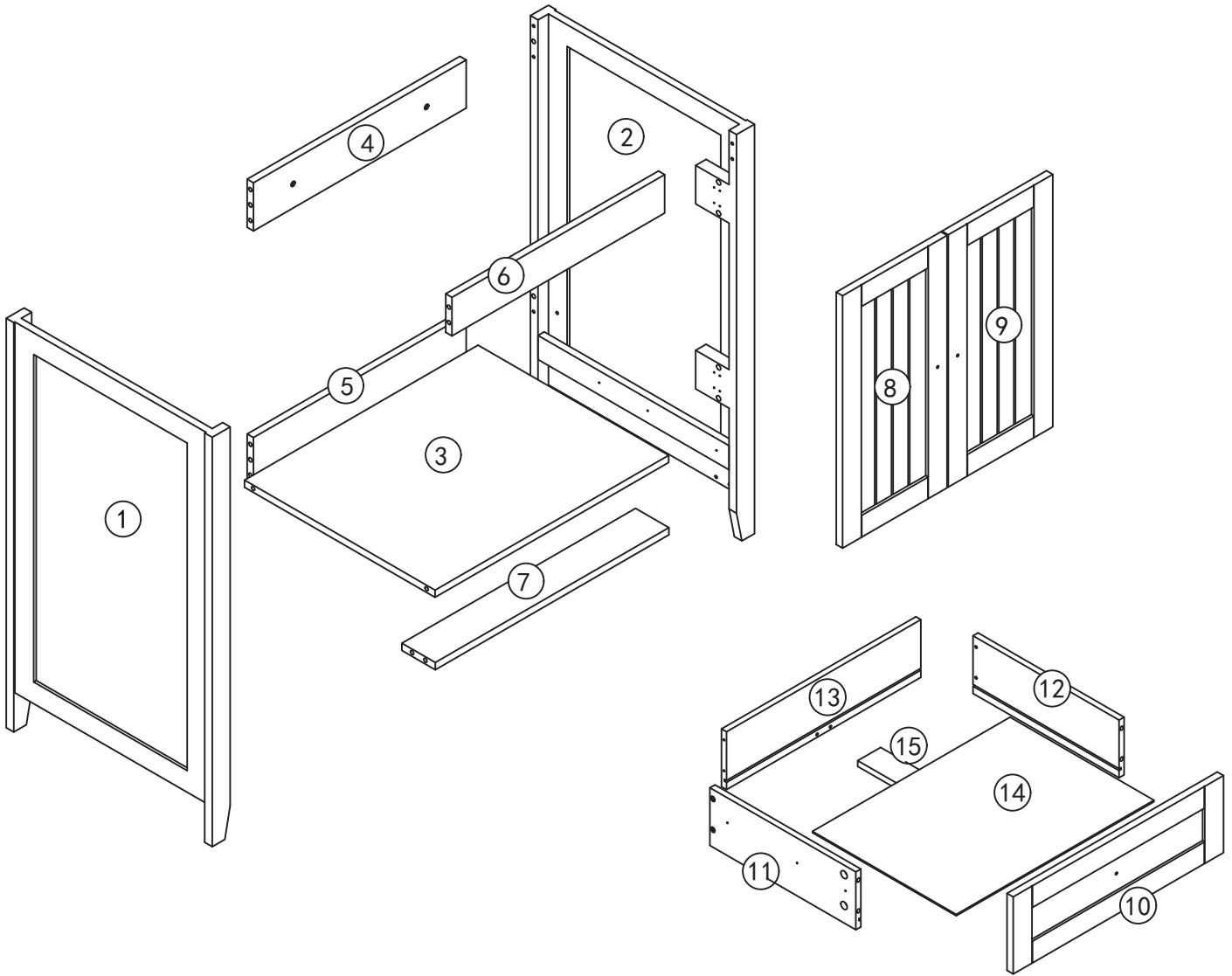
30 MIN

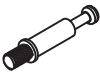


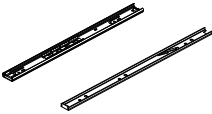


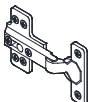
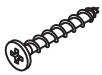


SLOTTED SCREWDRIVER(Not Provided)

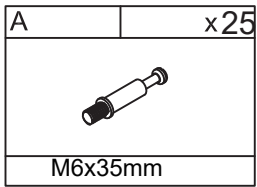
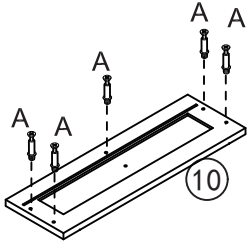
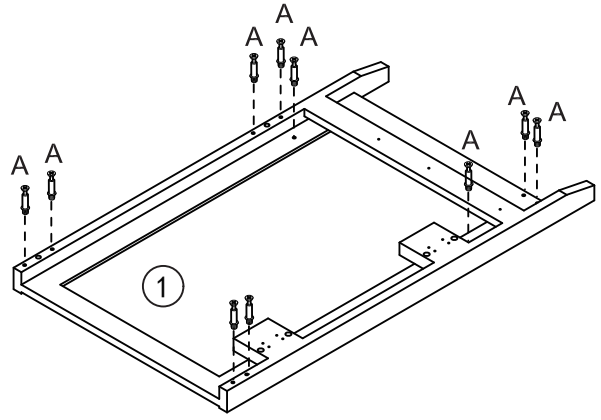
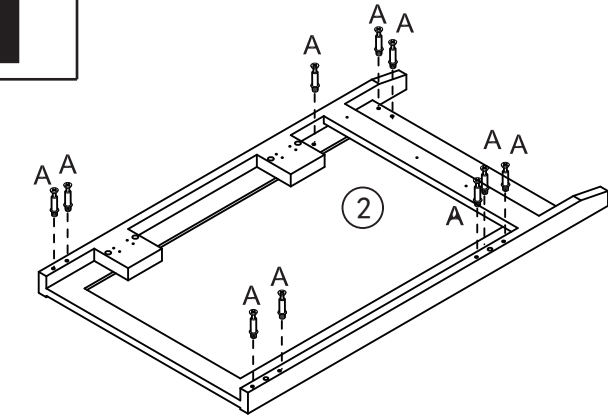


POZI SCREWDRIVER(Not Provided)

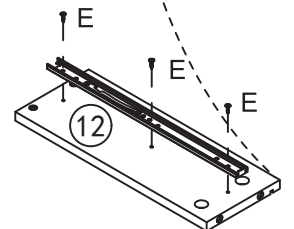
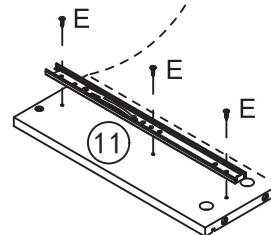
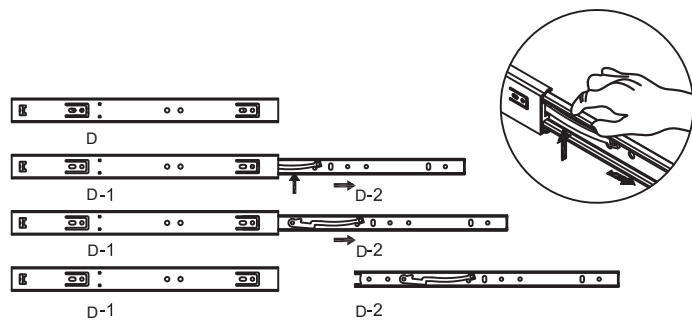
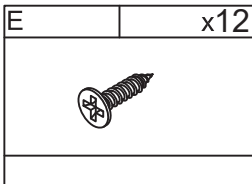
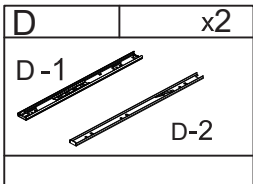
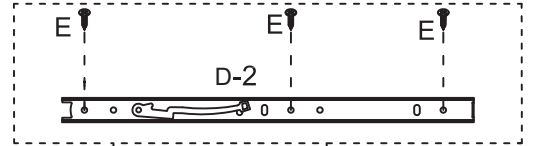
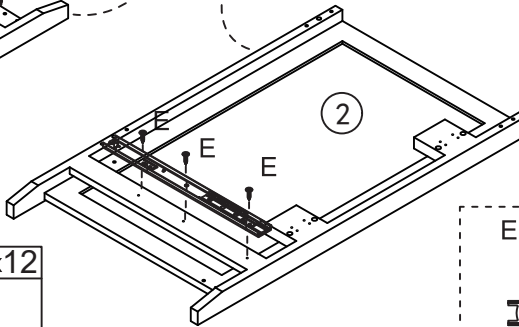
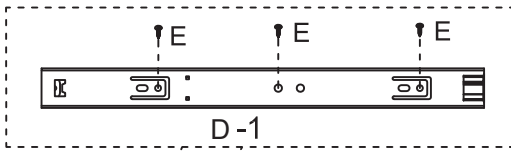
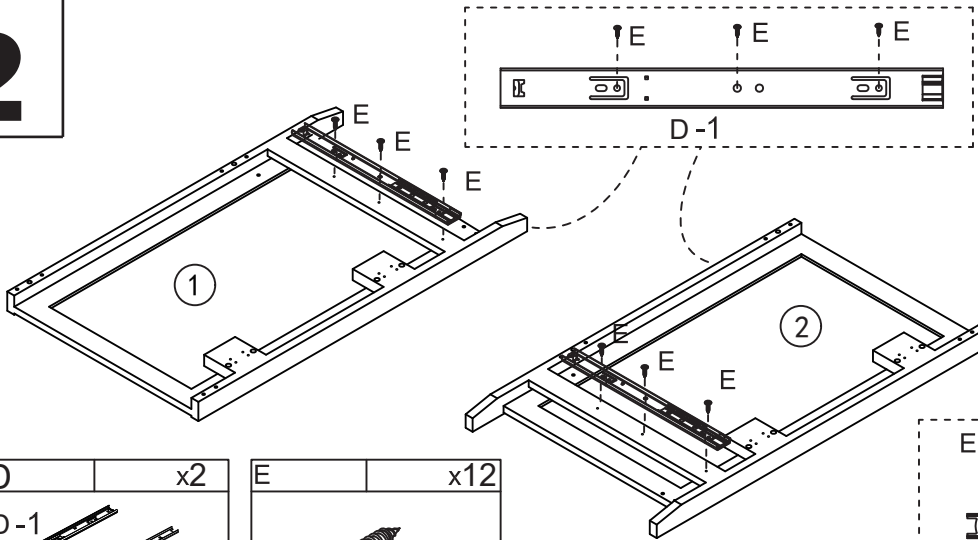


<p>A</p>  <p>M6x35mm</p>	<p>x25</p>	<p>B</p>  <p>M15x9.5mm</p>	<p>x25</p>	<p>C</p> 	<p>x4</p>	<p>D</p> 	<p>x2</p>
<p>E</p> 	<p>x36</p>	<p>F</p> 	<p>x3</p>	<p>G</p> 	<p>x4</p>	<p>H</p> 	<p>x6</p>

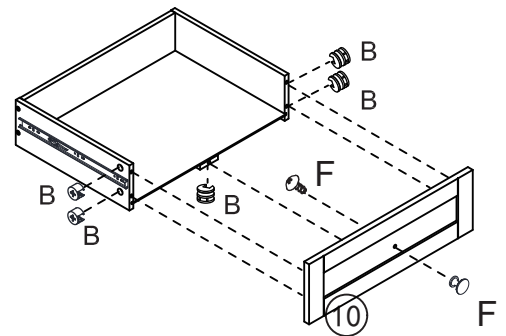
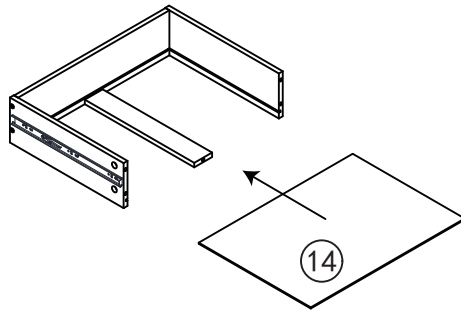
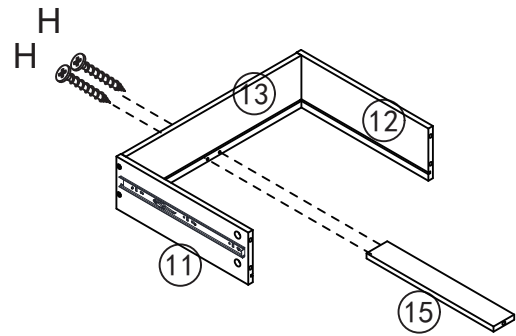
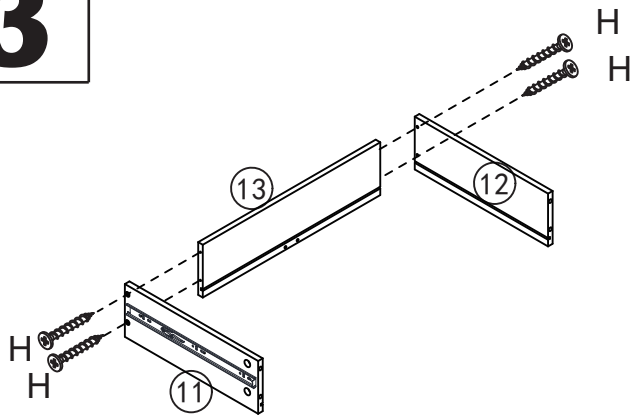
1






2

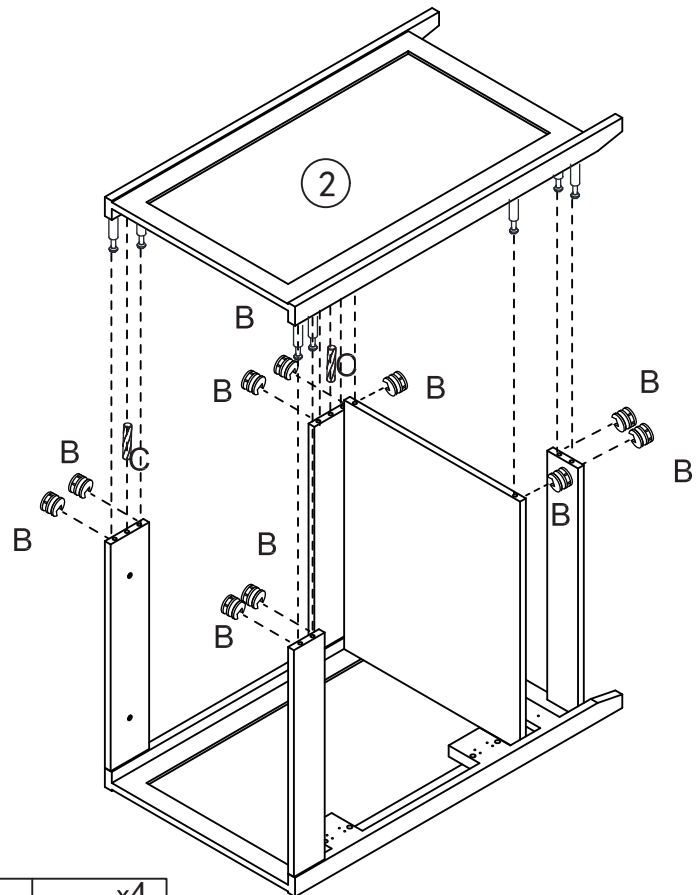
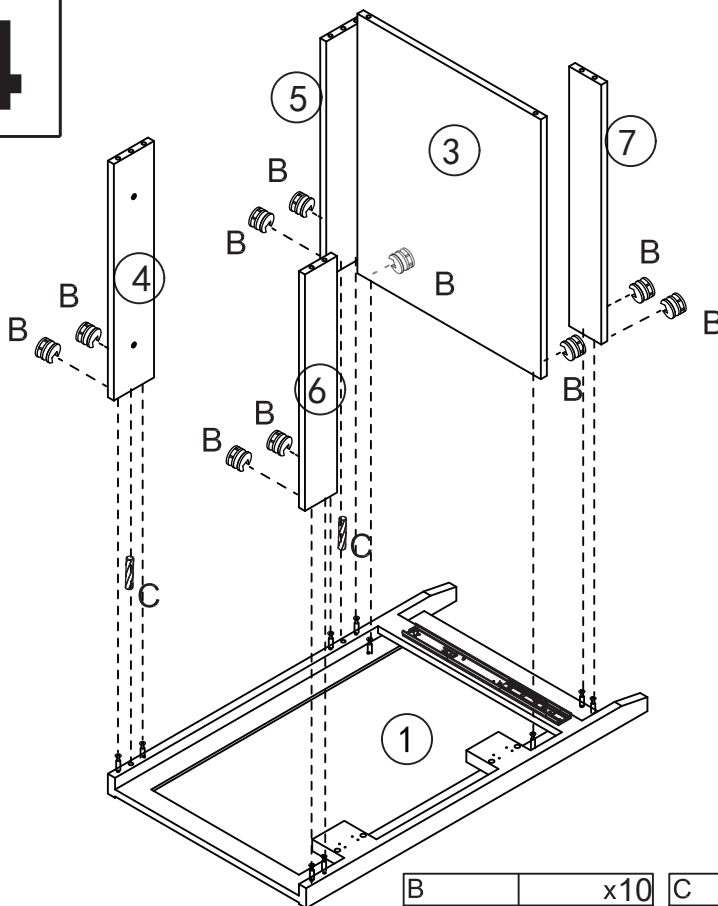




3



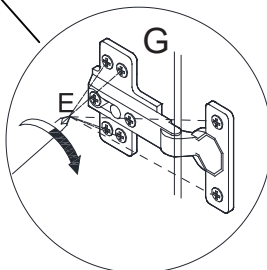
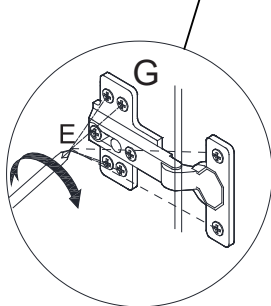
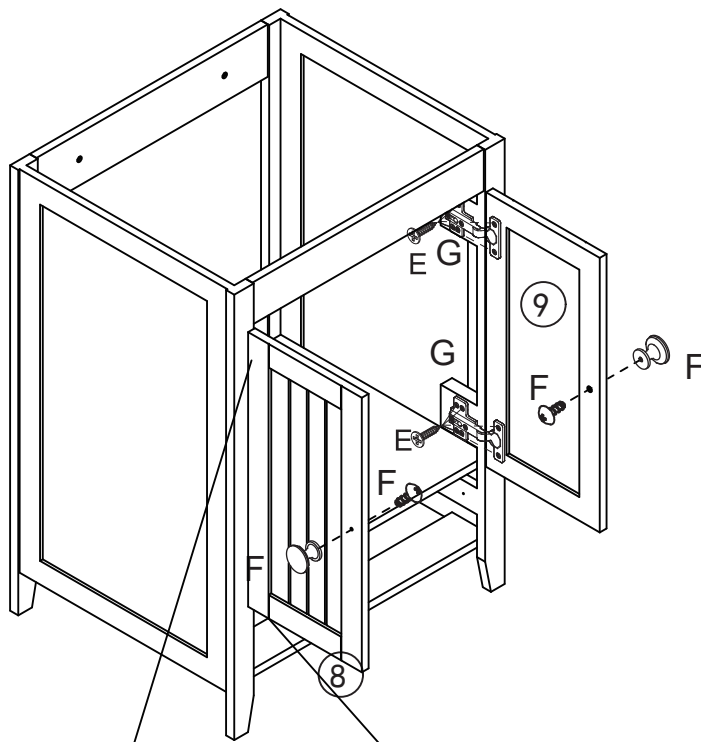
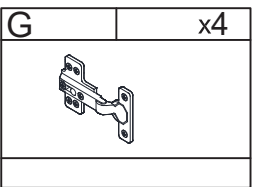
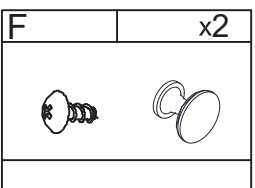
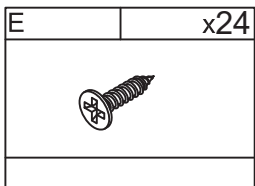
B	x5	H	x6	F	x1
					
M15x9.5mm					

4



B	x10	C	x4
			
M15x9.5mm			

5



6

