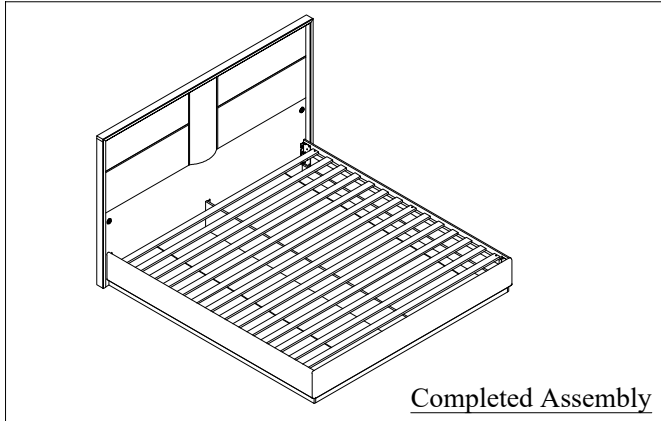


Assembly Instruction


Thank you for purchasing this quality product.
Please check all packing material carefully which may have come loose inside the carton during shipment.



PART LIST

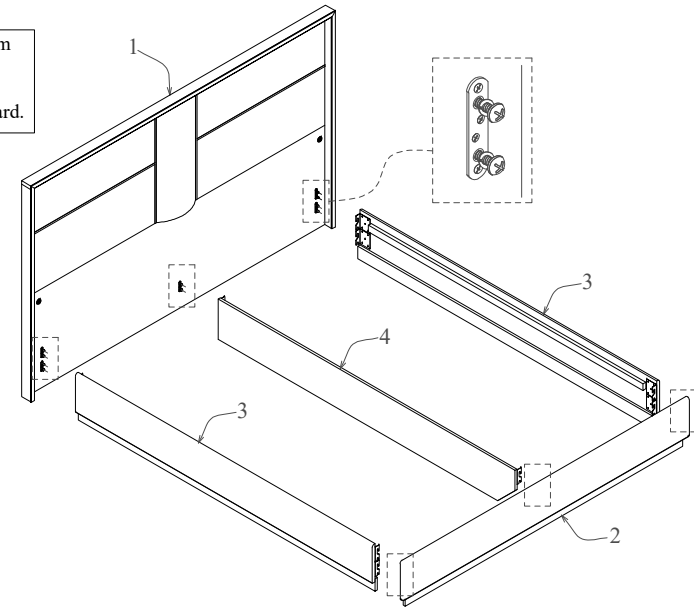
No	Description	Qty
1	Headboard	1pc
2	Footboard	1pc
3	Side Rail	2pcs
4	Center Rail	1pc
5	Slat	1set

HARDWARE LIST

No	Description	Qty
A	TRUSS HD C/B M4 x 32mm 	6pcs

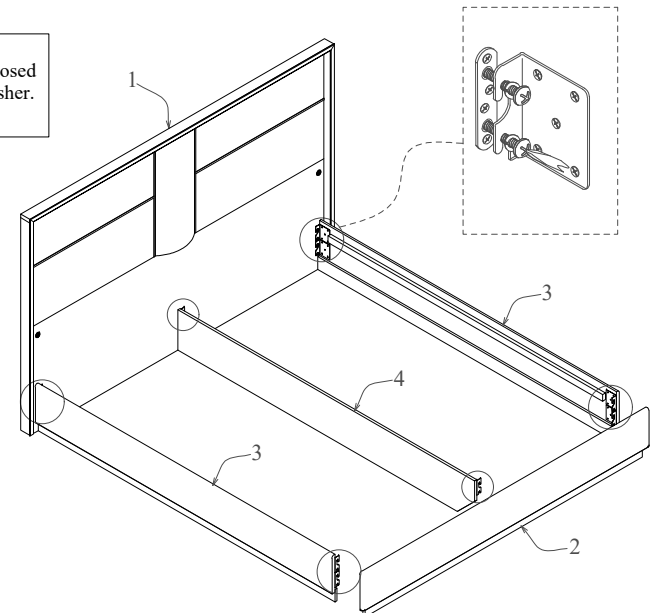
Step : 1

Please loose the JCBC screw from Headboard front near to bottom for left, center and right side.
Also, the same action on Footboard.



Step : 2

Please hook the screwed Plat on Side Rail and Center Rail onto loosed JCBC screw after the Spring Washer.
And tighten JCBC screws.



Step : 3

Lay out the Slats and use the Hardware No,A to tighten it.

