

INSTALLATION GUIDE

WARNINGS AND CAUTIONS

Released Date:2025-11

READ AND SAVE THESE INSTRUCTIONS

Please read and understand this entire manual before attempting to assemble, install or operate the product.

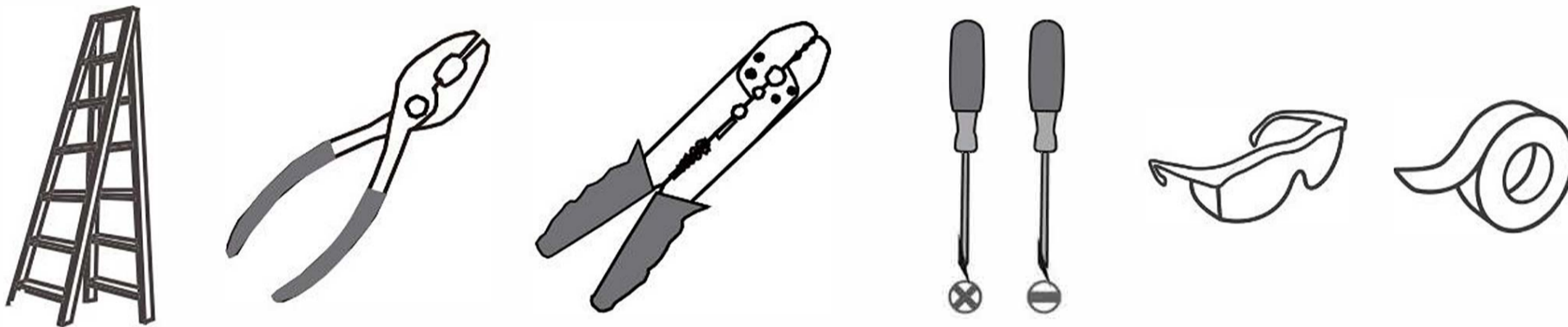
WARNING

- RISK OF ELECTRIC SHOCK - Before beginning installation, turn off electricity at the circuit breaker box or the main fuse box.
- RISK OF FIRE - Use bulbs specified by the markings and/or labels on the fixture.

CAUTION

- For your safety, read instructions completely before beginning installation.
- If in doubt about electrical installation, consult a licensed electrician.
- Turn off electricity to fixture before replacing the bulb(s).

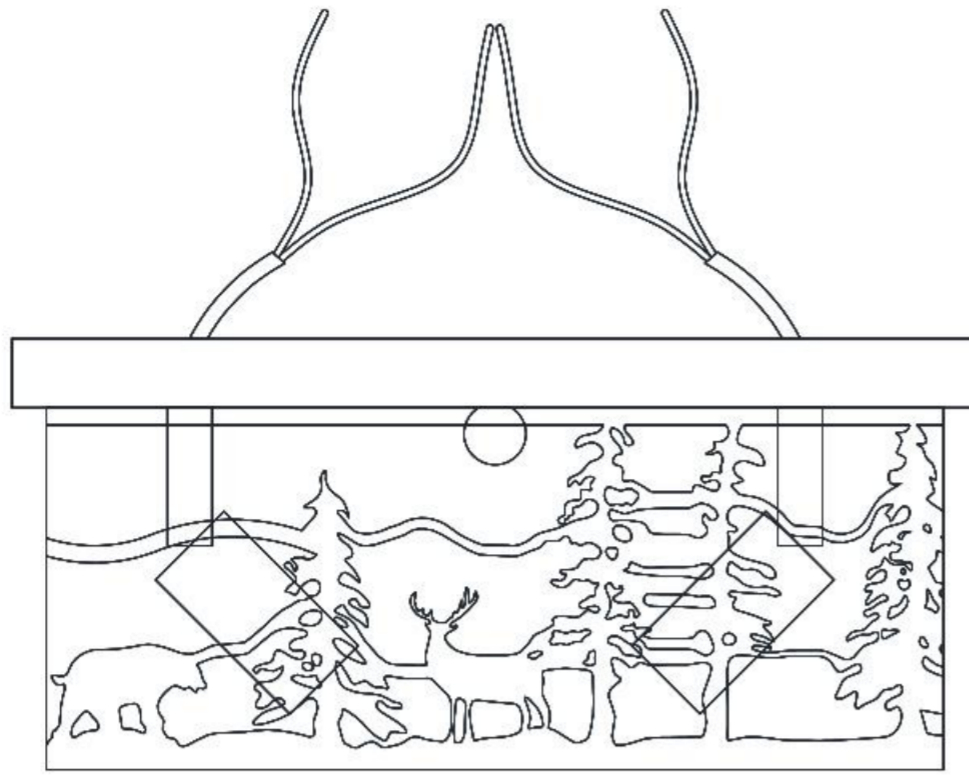
TOOLS REQUIRED



CARE AND MAINTENANCE

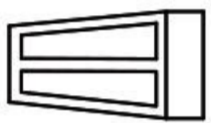
- Wipe clean using soft, dry cloth or static duster. Always avoid using harsh chemicals and abrasives to clean fixture as they may damage the finish.

PACKAGE CONTENTS



A Fixture Body
x 1

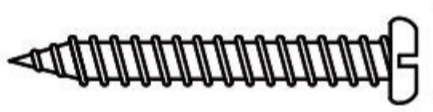
PACKAGE CONTENTS (PARTS BAG 1)



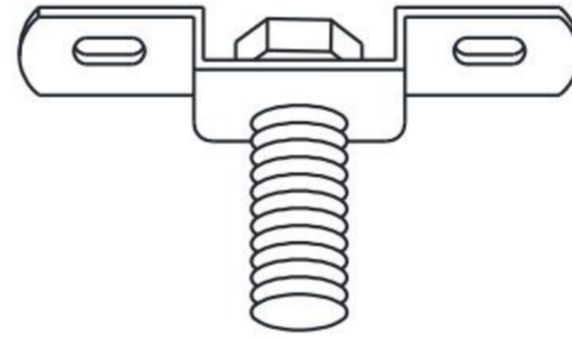
AA Wire Connector
x 4



DD Mechanical Screw
x 2



BB Screw
x 4



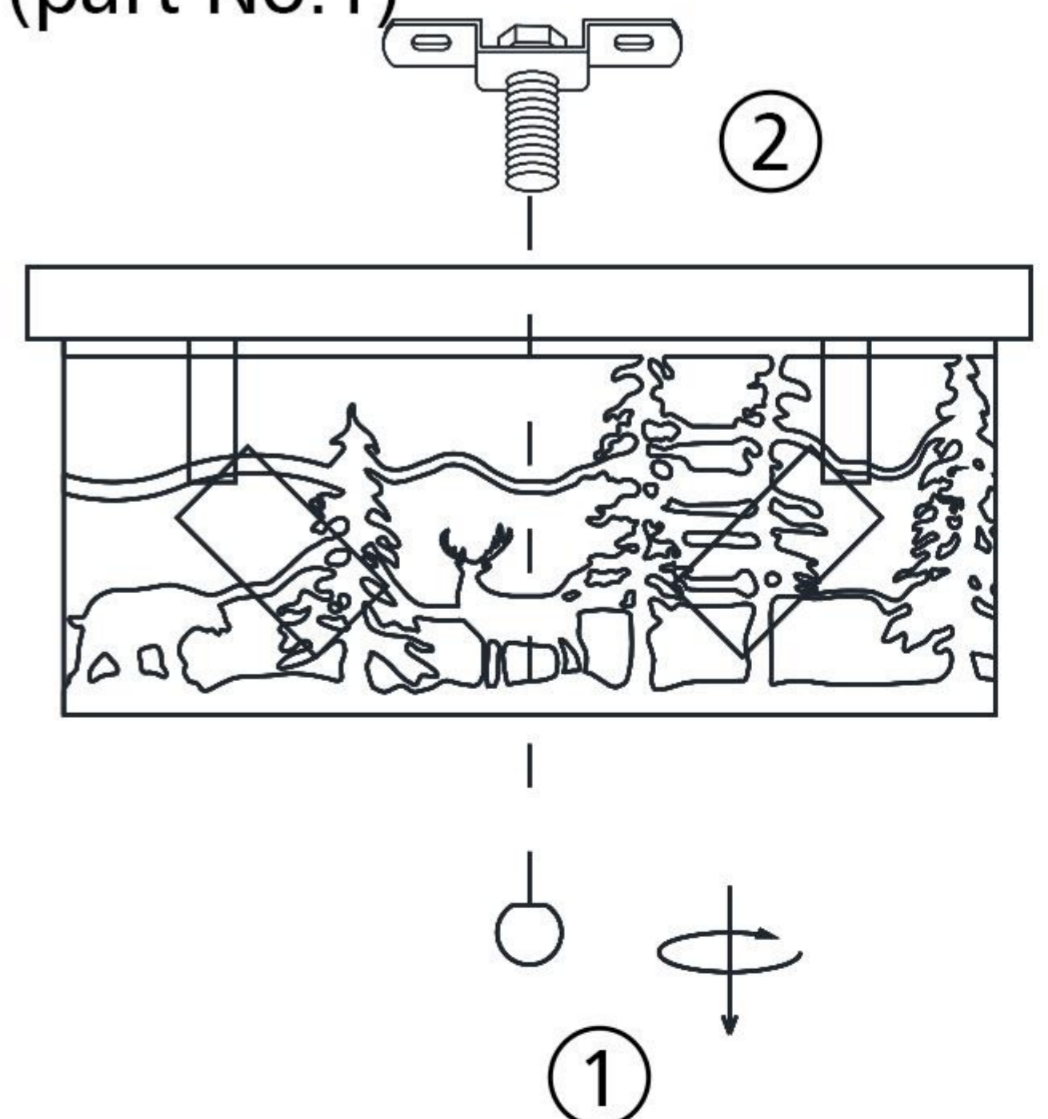
EE T-Bracket
x 1



CC Wall Anchor
x 4

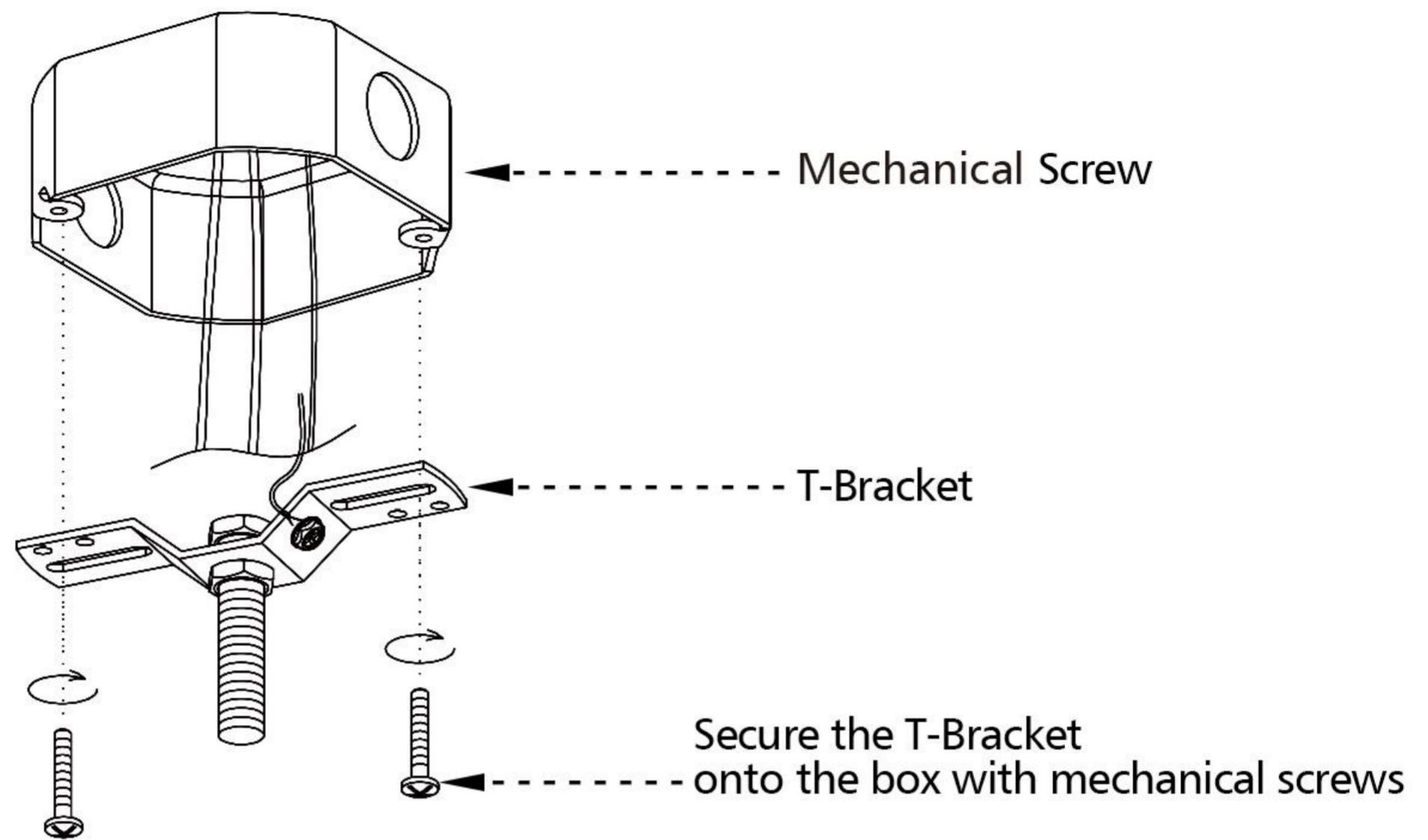
INSTALLATION

1. Unscrew and remove the round nut (part No.1)
2. Take out the T-Bracket



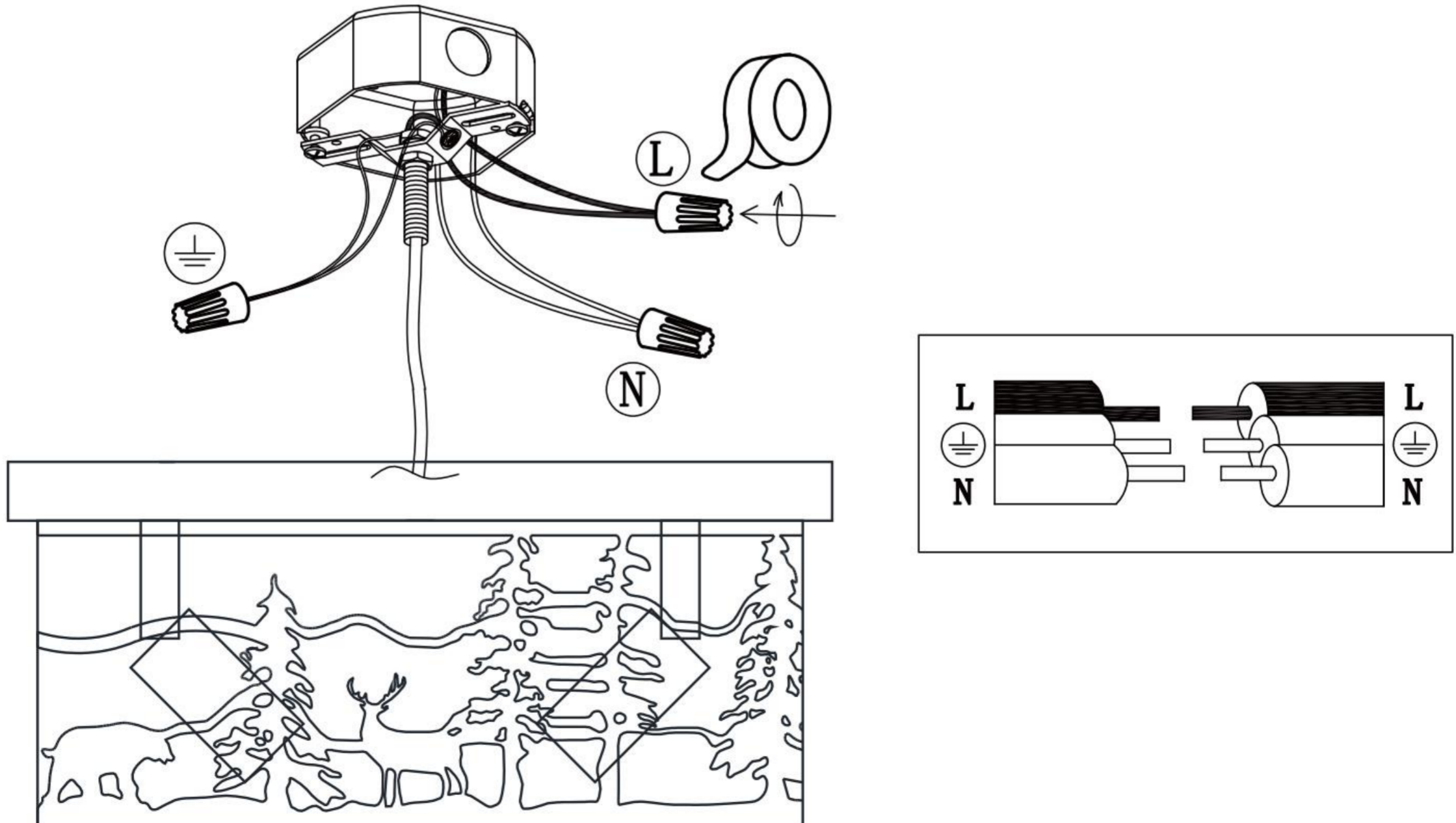
INSTALLATION

- 2** Use 2 mechanical screws to install the T-bracket onto the junction box



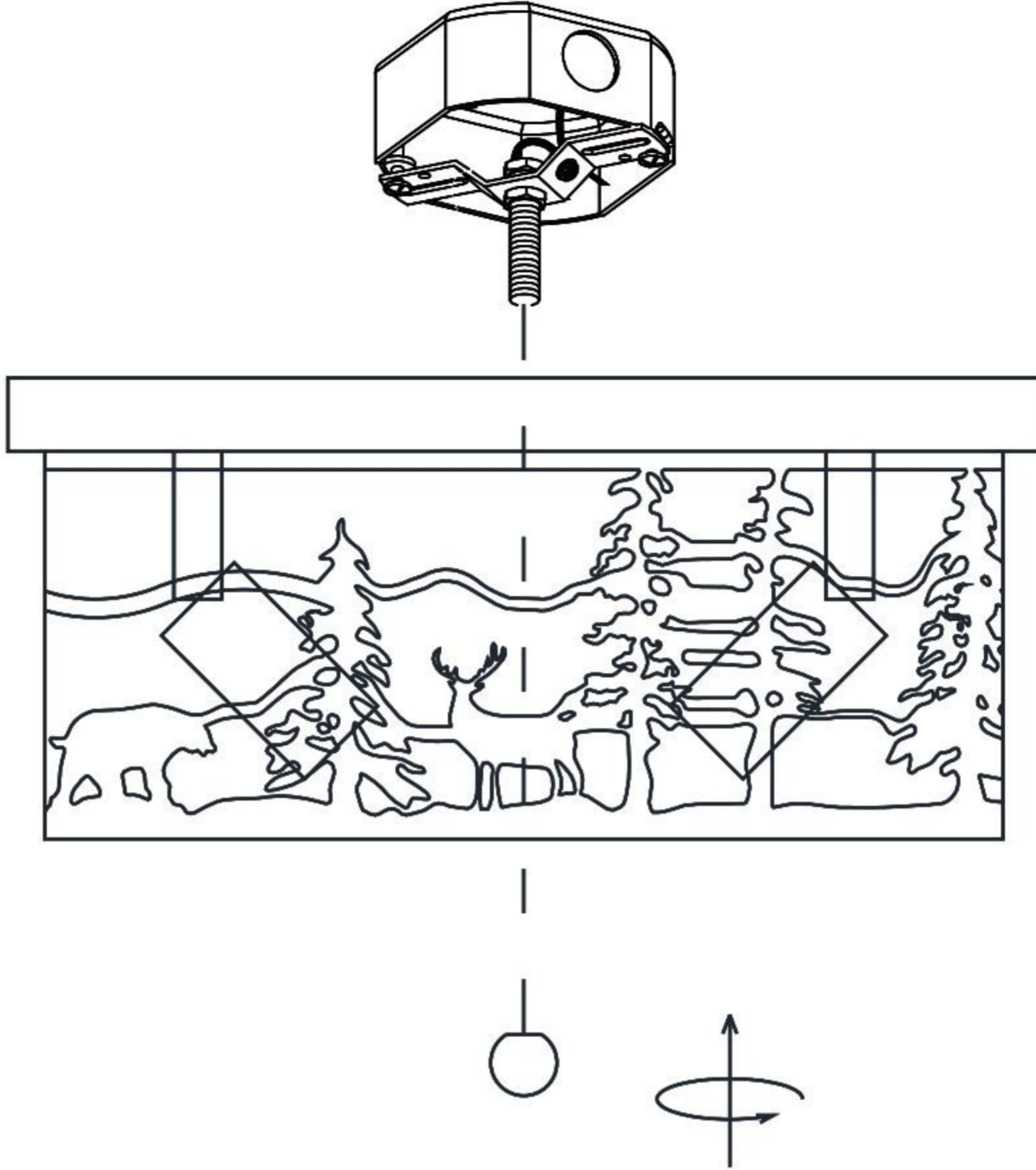
- 3** **Step 1:** Connect the wires from the fixture to the house supply wires nuts, ground wire (green, green/yellow, or bare) to ground wire, neutral wire (white) to neutral wire, and hot wire (black) to hot wire. Wrap the connection with electrical tape.

Step 2: Spread apart the wires so that the hot wires are on one side of the outlet box and the neutral wires are on the other side.



INSTALLATION

4 Screw the round nut removed in Step 1 back onto the T-bracket and secure it firmly



5 Install 2 E12 bulbs and adjust to your preferred lighting angle (bulbs not included)

