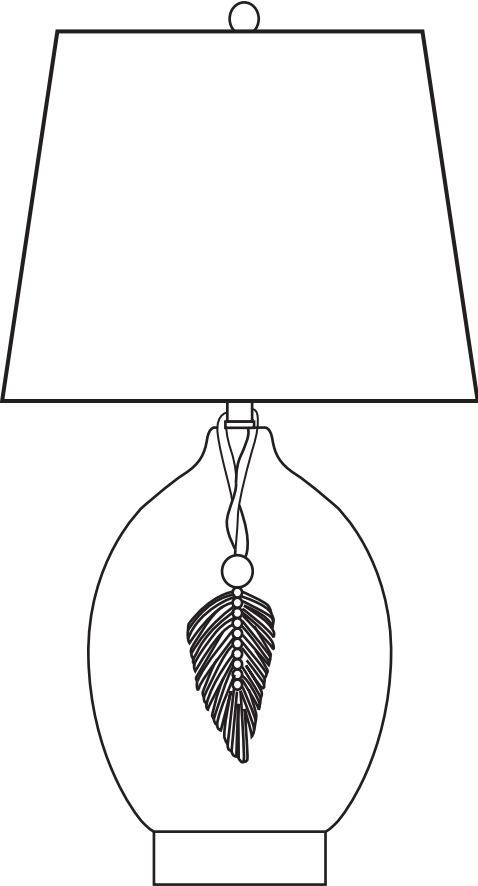


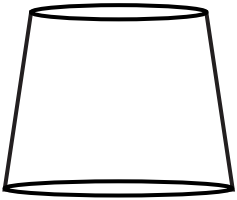



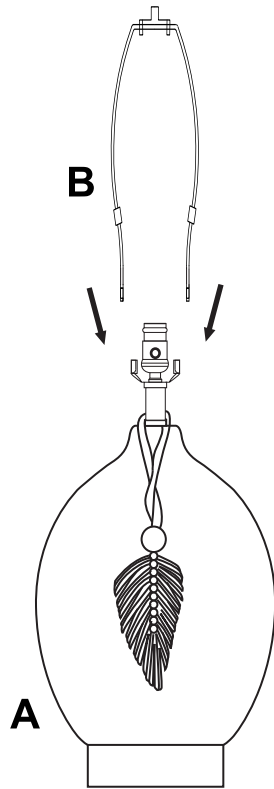
ASSEMBLY INSTRUCTION



1x	1x	1x	1x
 A	 B	 C	 Finial D

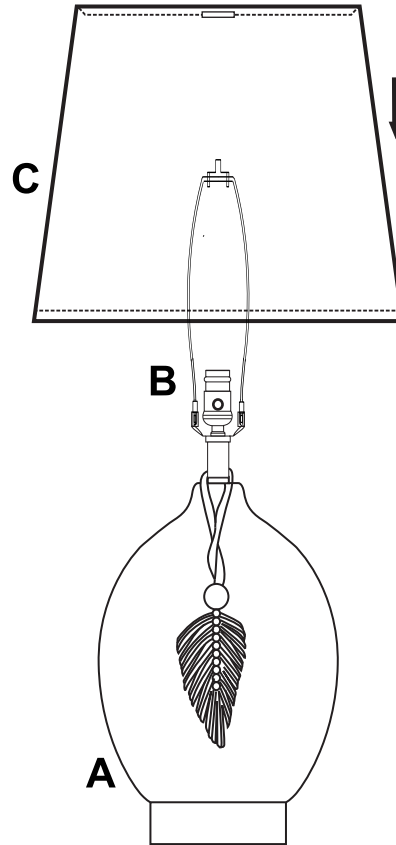
ASSEMBLY INSTRUCTION

Step 1:



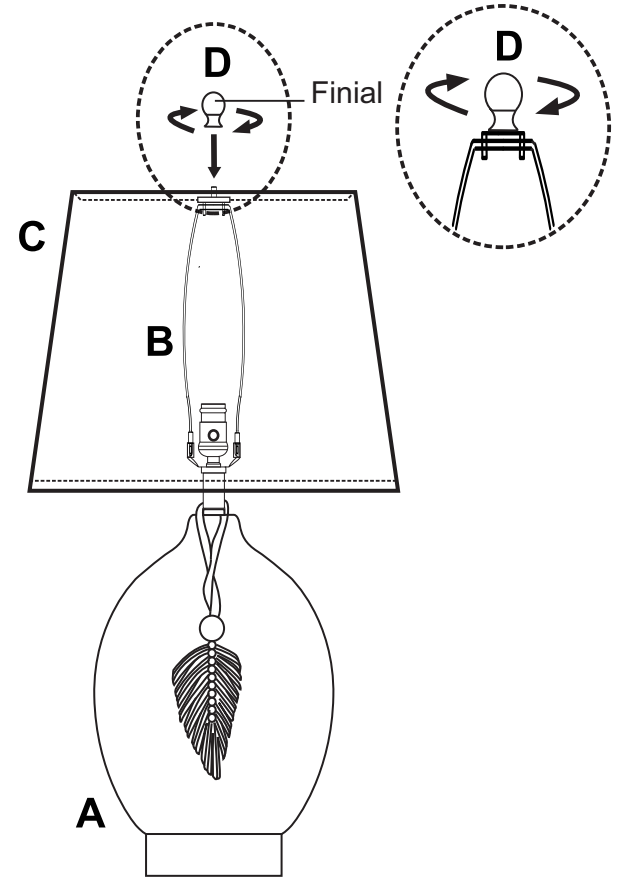
①

Step 2:



②

Step 3:



③