

Cantilever Umbrella

Assembly and Operation Manual



LED

Thank you for your purchase.

Read and follow this assembly and operation guide.

To avoid personal injury and damage to your umbrella,

Please close your umbrella when it is windy or when unattended.

We recommend a **two-person team** for assembly and disassembly.

If you like our products, please tell other customers.

If you have any problems with our products, please tell us.

Please feel free to contact us.

Important

Prior to assembly, please read the precautions below:

CHOKING HAZARD:

- This item contains small parts that can be swallowed. Keep children and pets away during assembly.

NOTE:

- We recommend assembling and disassembling the umbrella with a team of two people.

- Before starting the installation, please verify the parts list to ensure you have all components. Do not dispose of any packaging or boxes until assembly is fully completed.

LOCATION:

- Select a location that is level and sturdy. Uneven ground can make it difficult to secure the umbrella properly and may affect its stability when open.

- Ensure there is ample overhead clearance to fully open and operate the umbrella without obstruction from tree branches, roof eaves, or other structures. Also, clear the area around the umbrella of any furniture, plants, or other items to prevent obstruction or potential accidents.

- Keep all the flames and heat sources away from this umbrella.

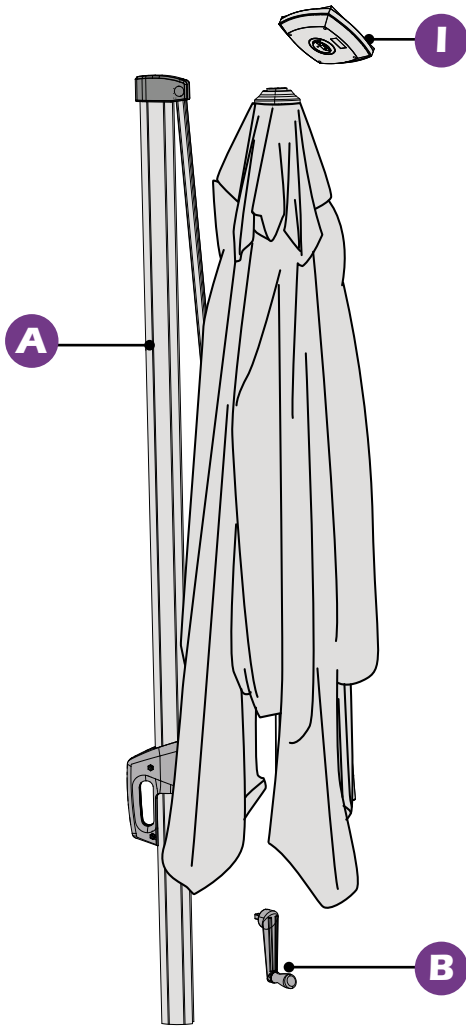
SECURE THE UMBRELLA:

- Use a sturdy umbrella base (sold separately) or anchor system (sold separately) to secure the umbrella in place and prevent it from tipping over.

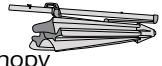
CAUTION:

- Moving the umbrella while it is fully open increases the risk of damaging the umbrella or causing serious injury.

Check List



A x 1
Umbrella Canopy



B x 2
Hand Crank



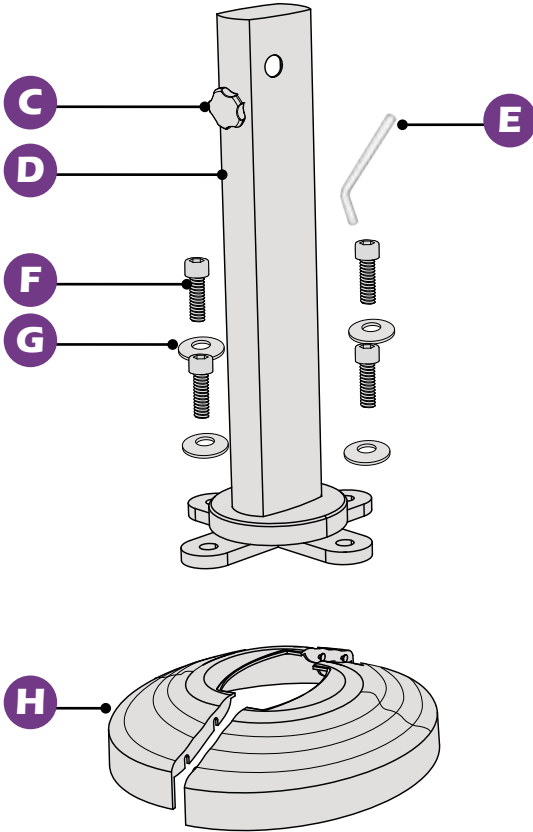
I x 1
Solar Panel



J x 1
USB Cable



Check List



C x 1
Connector Knob



D x 1
Base Tube



E x 1
T6 Allen Wrench



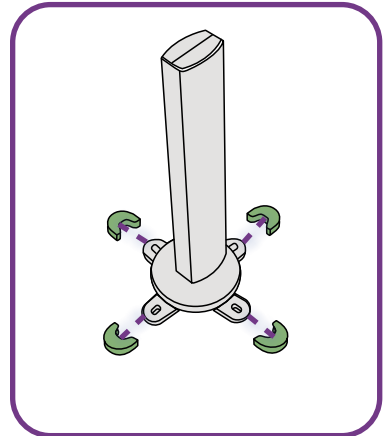
F x 4
(M8x25) Bolt



G x 4
M8 Washer



H x 1
Cover Plate

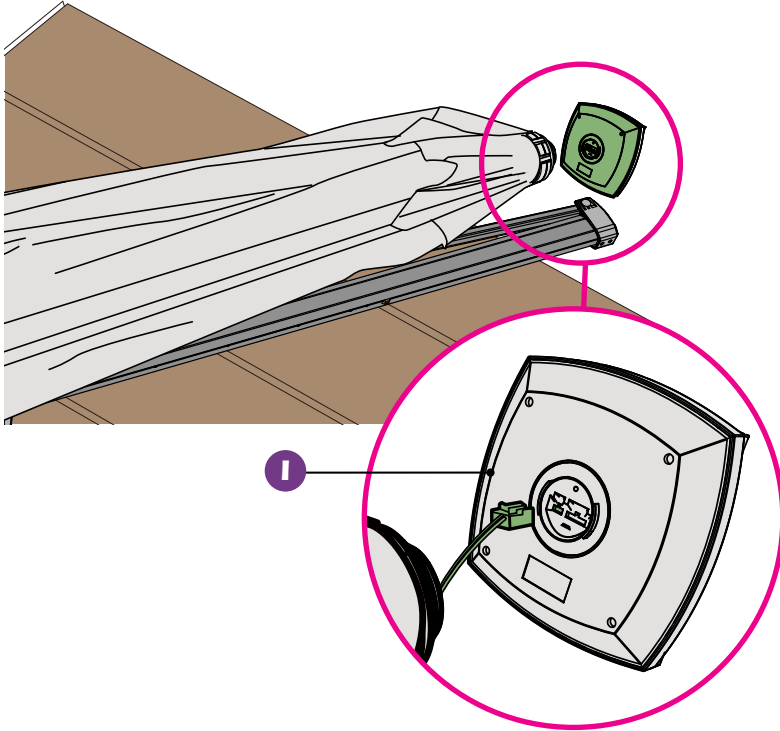


Note: Remove four black plastic covers from the base tube feet.

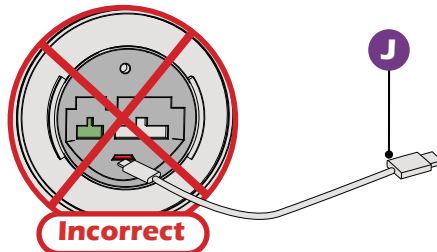
Umbrella Assembly

To Assemble Solar Panel

- 1 Pull out the wire from the top and insert the plug into the socket under the solar panel as shown below.



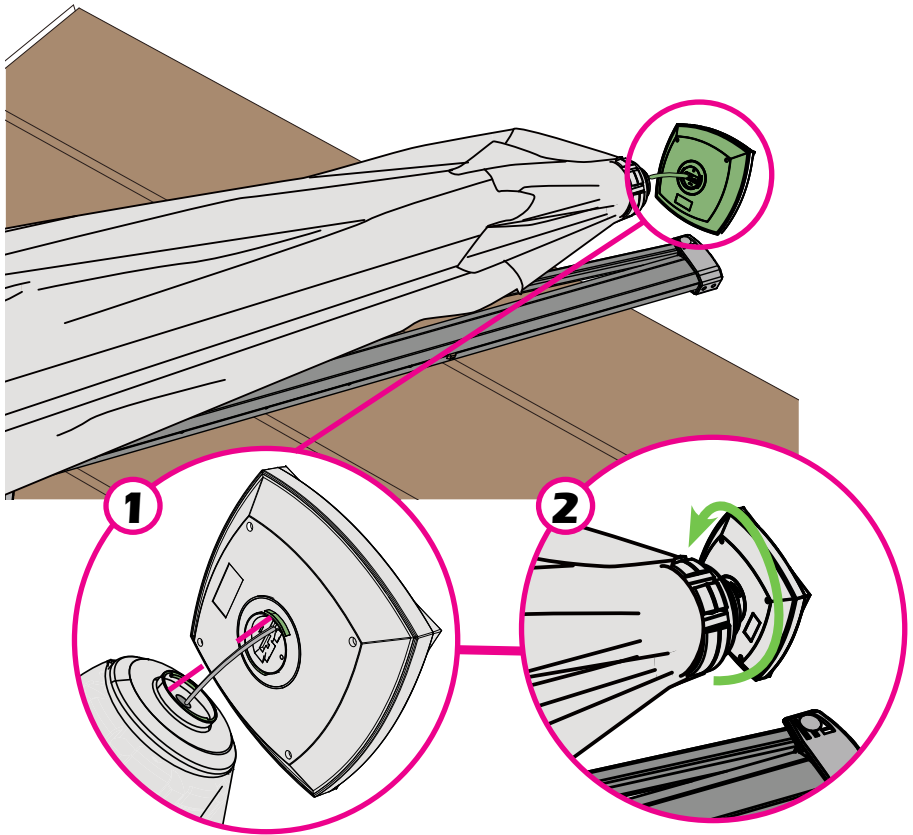
CAUTION: The USB cable is used exclusively to charge the battery located on the support arm. There is no need to connect the USB cable to the back of the solar panel.



Umbrella Assembly

To Assemble Solar Panel

- 2 Put the solar panel on the top of umbrella and hide the plug and wire inside the groove at the top of umbrella. Then turn the solar panel clockwise to lock it onto the umbrella. Do not over tighten.

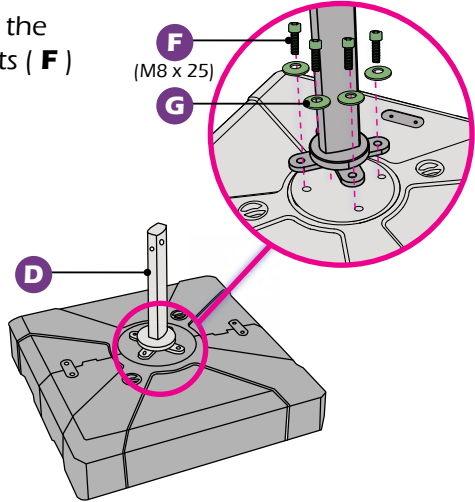


Umbrella Assembly

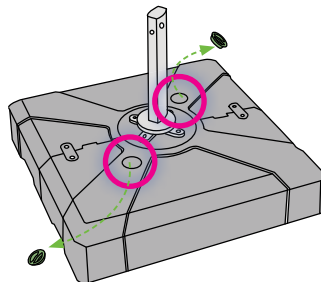
Option 1 / Sand/Water Tank Base (Sold Separately)

To Assemble Base Tube

- 1 Attach the base tube (**D**) to the weighted base with four bolts (**F**) and four washers (**G**).



- 2 Make sure to fully fill the base with water and sand before setting up the umbrella.



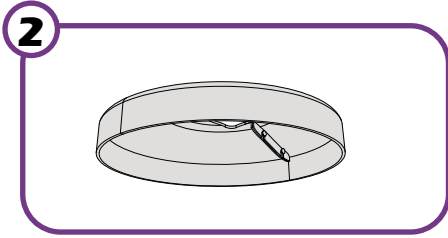
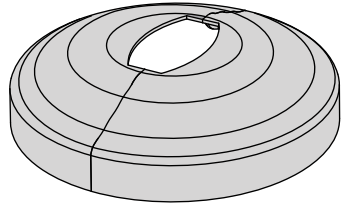
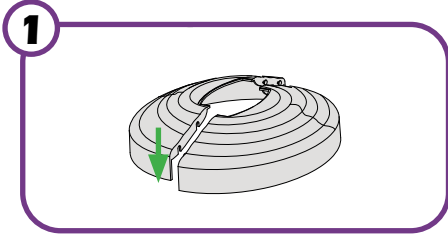
50% sand
and

Water

Umbrella Assembly

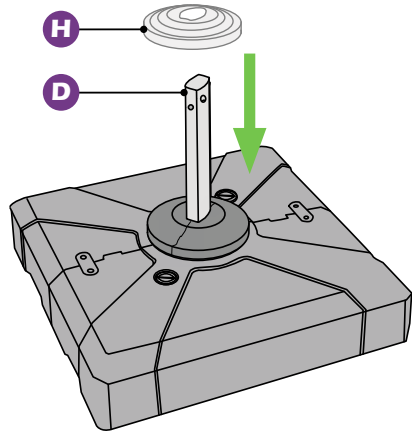
To Assemble Cover Plate

1



2

Place the cover plate (**H**) onto the base tube (**D**).

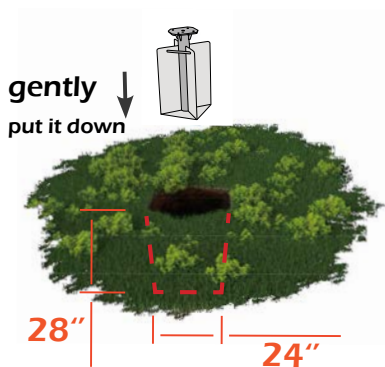


Umbrella Assembly

Option 2 / Inground Base (Sold Separately)

To Install Umbrella on Inground Base

- 1 Dig a hole roughly 28" deep and 24" across. Gently put the inground base in the hole.

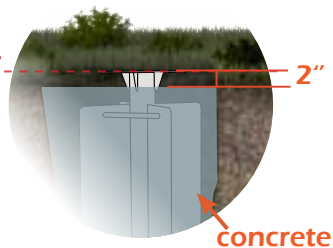


- 2 Make sure the inground base is horizontal. Backfill the hole with at least 700 lbs of concrete.

Concrete >700lbs



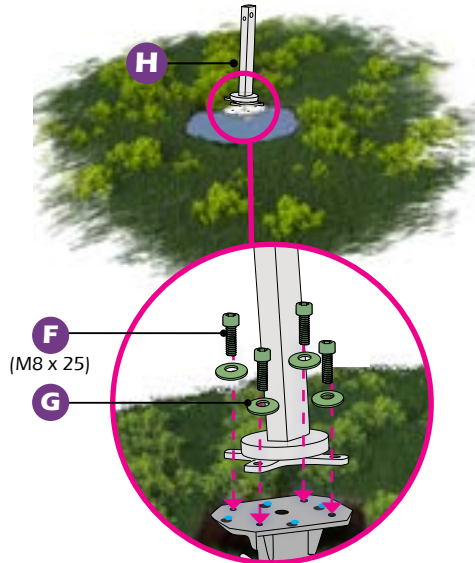
That is horizontal.





Umbrella Assembly

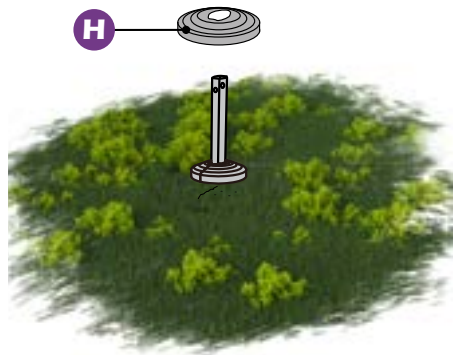
To Install Umbrella on Inground Base

- 3** After the concrete is cured, attach the base tube (**D**) to the inground base with four bolts (**F**) and four washers (**G**).



-  Standard umbrella
-  For special accessories

- 4** Assemble the cover plate (**H**) and put it onto the base tube (**D**).

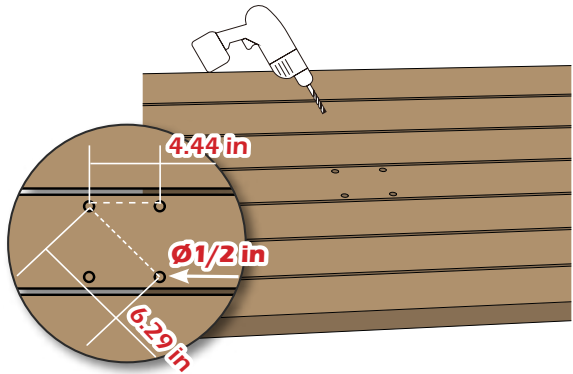


Umbrella Assembly

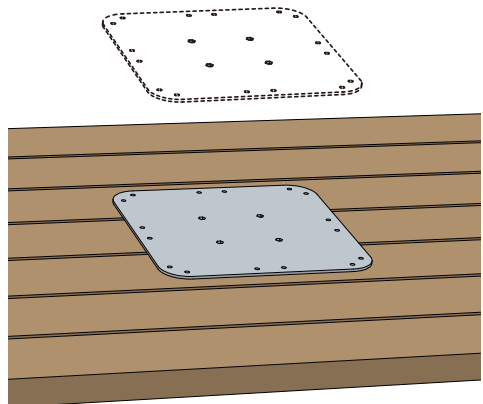
Option 3 / Baseplate (Sold Separately)

To Install Umbrella on Baseplate

- 1 Drill holes in the deck to accommodate the extra length of four bolts (**F**).



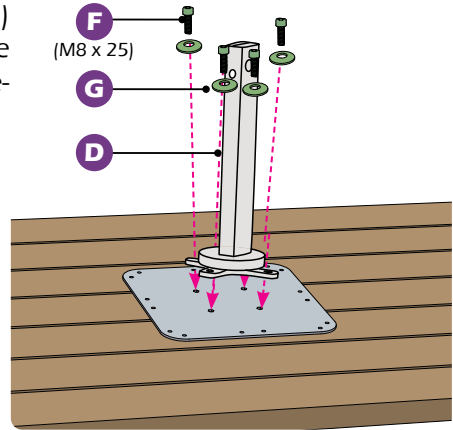
- 2 Put the baseplate on the deck. Align the four middle holes with the pre-drilled holes.



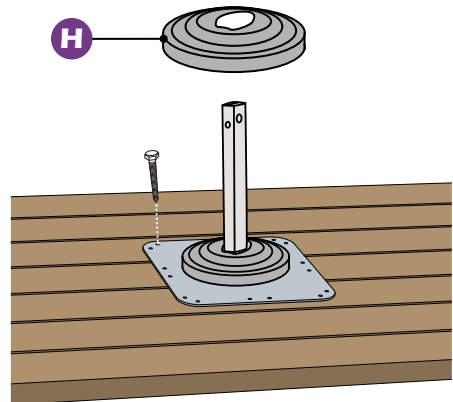
Umbrella Assembly

To Install Umbrella on Baseplate

- 3** Attach the base tube (**D**) to the baseplate with four bolts (**F**) and four washers (**G**). The extra length of bolts (**F**) protruding from the baseplate should remain in the four pre-drilled holes.



- 4** Use 1/4 inch diameter galvanized/stainless lag screws (included in the baseplate package) to fix the baseplate to the deck. Finally, assemble the cover plate (**H**) and put it onto the base tube (**D**).



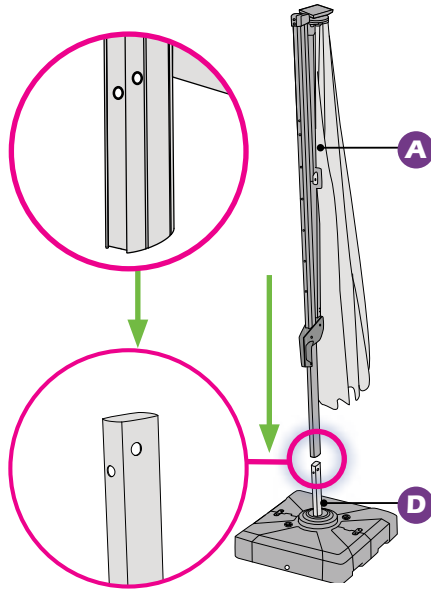
Umbrella Assembly

To Set Up Umbrella

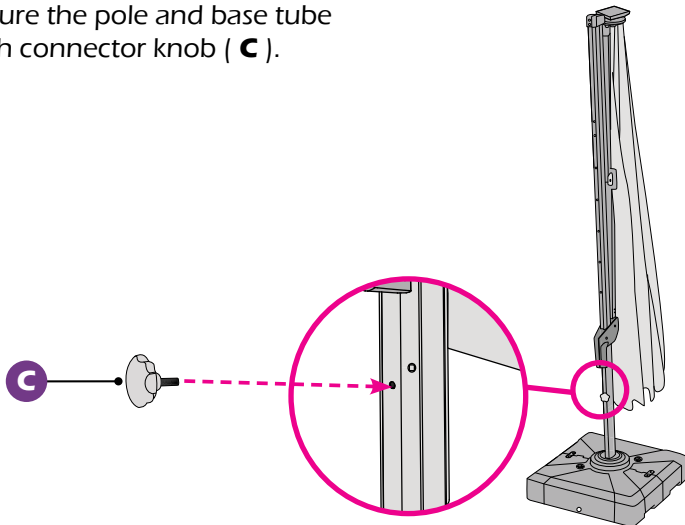
- 1 Insert the umbrella canopy (**A**) onto the base tube (**D**).

Note: Two people are recommended to lift the umbrella and complete the assembly.

Ensure the solar panel is installed on the top before setting up the umbrella.

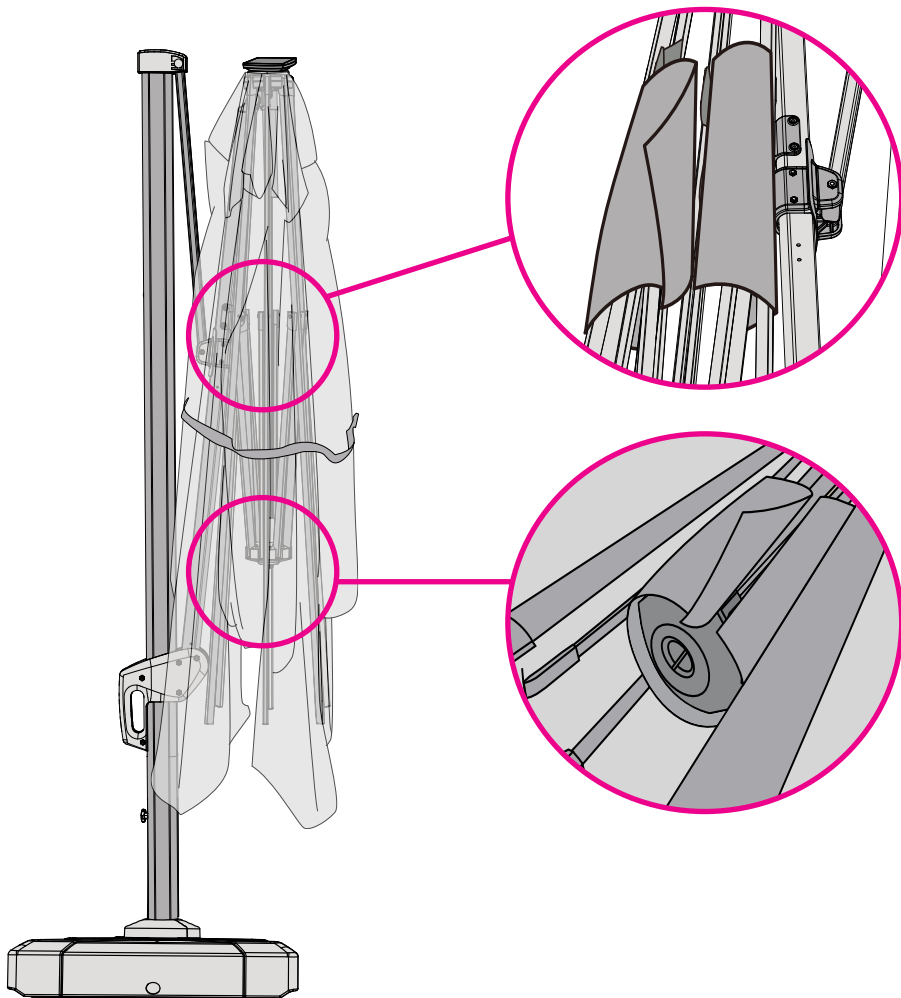


- 2 Secure the pole and base tube with connector knob (**C**).



Before Operation

Remove the protective packing materials inside the canopy at two locations before opening the umbrella.

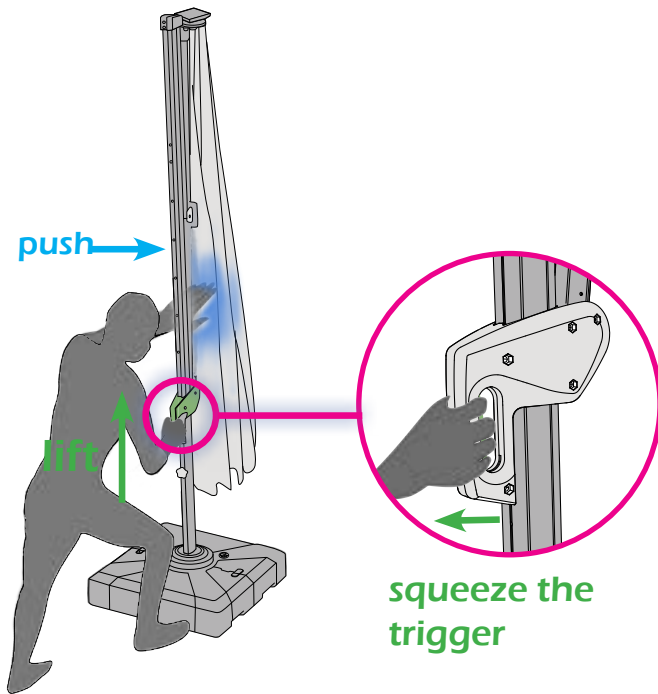


Operation

To Open Canopy

- 1 Squeeze the trigger and push out the support arm to lift the handle up. Release the trigger to lock the handle in your desired position.

Note: Be mindful of the packaging in the umbrella canopy. It **MUST** be removed before opening.

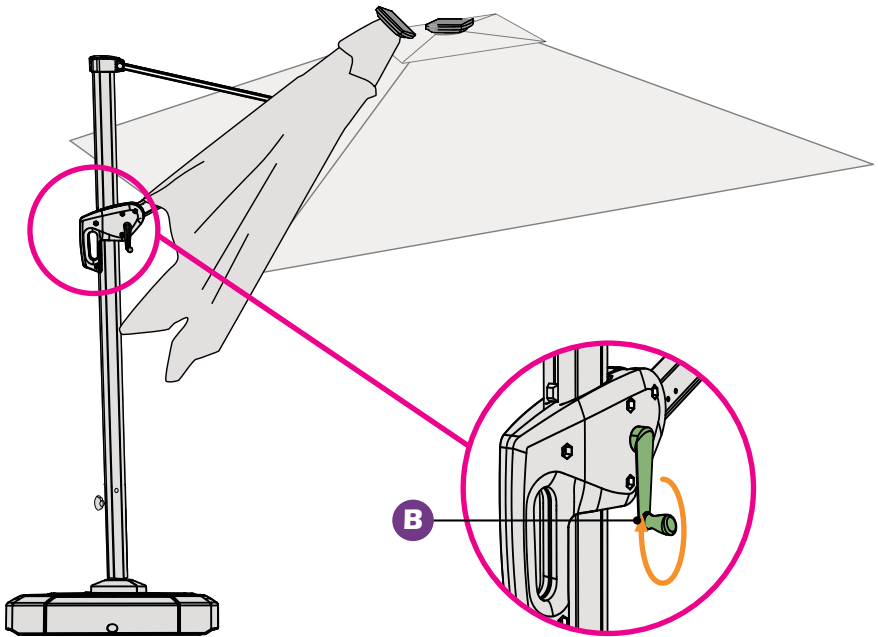


Operation

To Open Canopy

- 2 Insert the hand crank (**B**) into the small hole on the handle. Turn the hand crank clockwise to open the canopy.

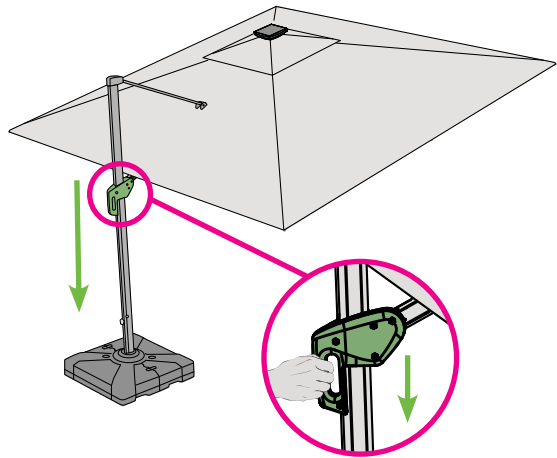
IMPORTANT: While opening the umbrella, ensure the area around it is clear of obstacles and that no one is near the umbrella.



Operation

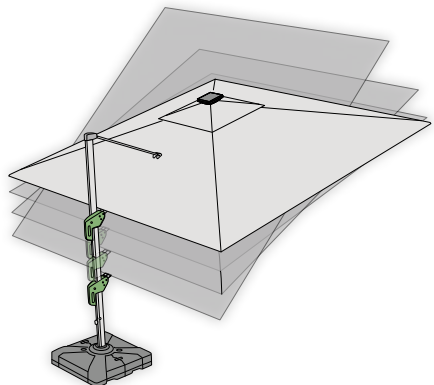
To Tilt Canopy

- 1 Press on the handle trigger and move the handle up and down to adjust the angle of the umbrella canopy.



- 2 Release the handle trigger to lock it in your desired position.

IMPORTANT: PRIOR TO USING THE TILT FUNCTION. To avoid personal injury or damage to the umbrella, make sure the area behind you is clear and free from any furniture or structure.



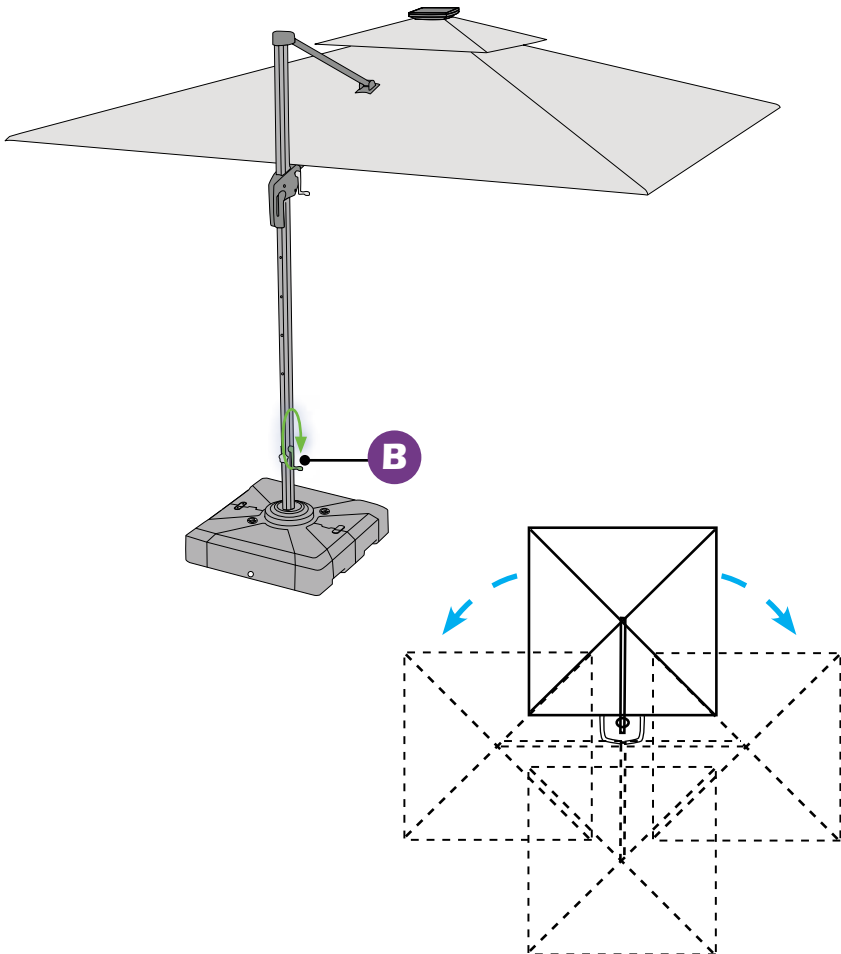
Operation

To Operate the 360° Rotation

1

Insert the hand crank (**B**) into the hole near the bottom of the umbrella, turn the crank to rotate it.

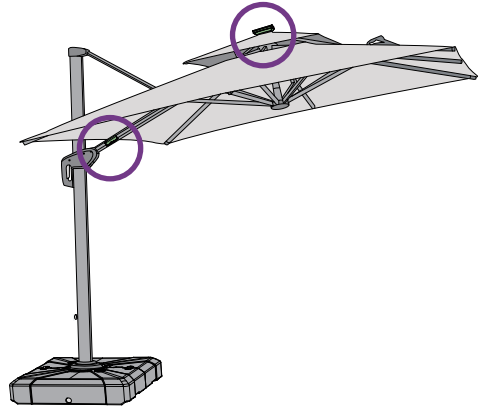
IMPORTANT: Throughout the rotation process, be mindful of any obstacles or overhead structures to avoid collisions or damage.



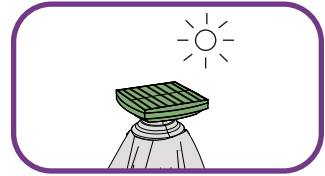
Operation

To Charge Battery

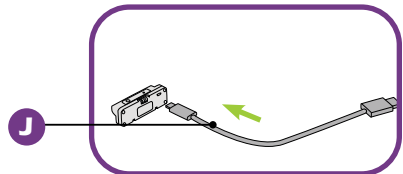
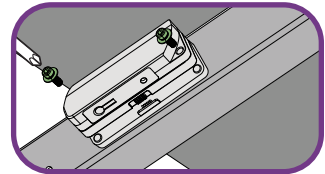
Note: During the day, the solar panel on the Solar LED Parasol converts sunlight into electrical energy, which is stored in the rechargeable battery located on the support arm. If sunlight is insufficient, you can also charge the battery directly with a USB cable.



1 Solar Charging: Place the solar umbrella in direct sunlight to charge the battery. It typically takes about 8 hours of sunlight for a full charge before first use.



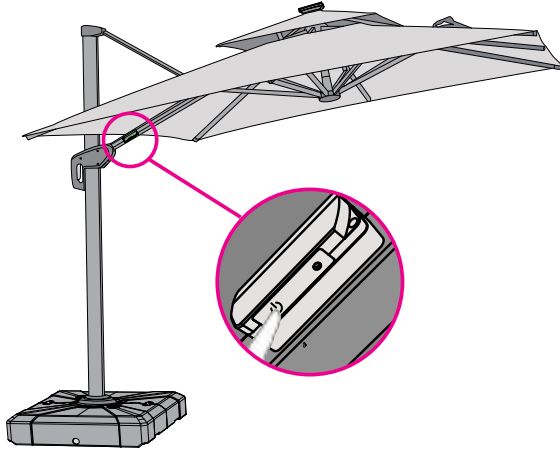
2 USB Charging: Remove two screws to take the battery out of the holder. Then, charge it using a USB cable (J). When the indicator light turns green, the charging is complete. Finally, reinstall the battery into the holder.



Operation

To Turn on/off LED Lights

- 1 Press the power switch on the battery to turn on/off LED lights.



CAUTION: You must charge the battery before first use.

Please be aware that battery can discharge if left unused or uncharged for an extended period. Since there may be a six-month gap between production and the final customer purchase, we recommend charging your solar umbrella for at least 8 hours in direct sunlight before using it for the first time. Failure to do so may result in premature dimming of the lights. Ensure the light switch is in the off position while charging the solar panel. For regular use, turn the light switch on at night when you want to use the solar light and turn it off after use.

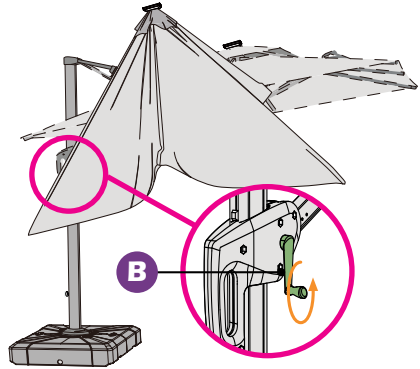
Make sure the light switch remains off during the daytime to allow the solar panel to properly recharge the battery.

Operation

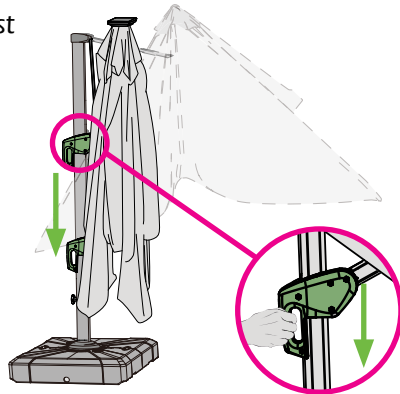
To Close Canopy

- 1 Turn the hand crank (**B**) counterclockwise to close the canopy.

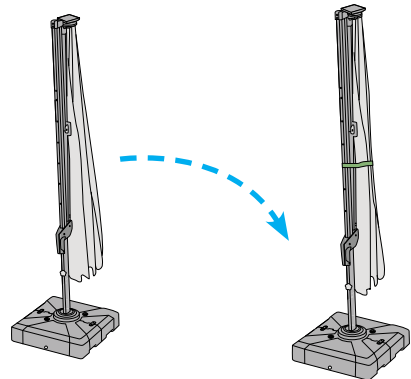
IMPORTANT: While closing the umbrella, ensure the area around it is clear of obstacles and that no one is near the umbrella.



- 2 Move the handle to its lowest point.



- 3 Secure the closed canopy to the pole with a strap.



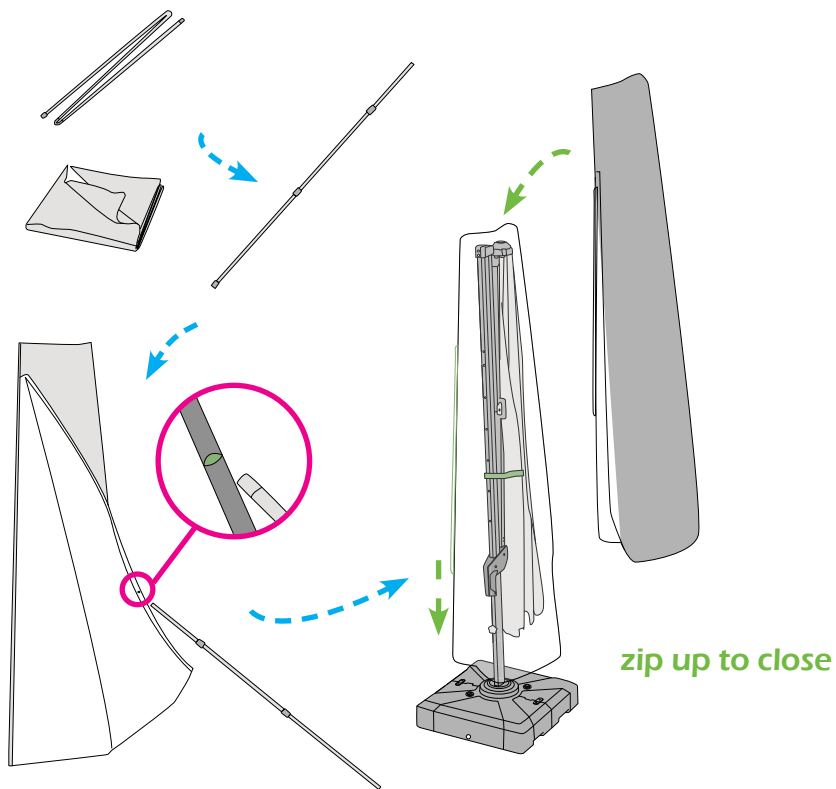
Separate Accessory

To Use Umbrella Cover

(Sold Separately)

Assemble the cover pole. Slide the pole into the cover. Place the cover over the umbrella and zip it up. Remove the cover pole.

IMPORTANT: Ensure the umbrella fabric is completely dry before using the cover.



Notification

WARRANTY

Frame

Frames are warranted to be free from defects in materials and workmanship for a period of one year. Damage to frames or welds due to improper assembly or exposure to water and sub-freezing temperatures is not covered.

Fabric

Fabric is warranted for a period of three years. Fading or discoloration resulting from exposure to the elements, chemicals, or from spills is not covered.

Finish

The finish is warranted against peeling, cracking, or blistering for a period of one year, provided the unit has not been scratched or abraded. Scratches and chips resulting from abnormal wear and tear are not covered. Fading resulting from exposure to elements is not covered.

Note

All operations should be conducted in accordance with the instruction manual.

Exclusions

This warranty applies exclusively to the original purchase order. Failures resulting from unreasonable or abusive use, as well as neglect of reasonable and necessary care, are not covered. Damage to the umbrella caused by animals is also excluded from warranty coverage. Acts of nature, including but not limited to wind, hurricanes, tornadoes, and storms, are not covered under this warranty. We reserves the right to explain warranty exclusions.

Notification

SAFETY PRECAUTIONS

Child Safety

Always supervise and take care of children under or around the patio umbrella, especially when it is open and in use.

Teach children not to play with or hang on the umbrella, as this can cause it to topple over.

Keep children away from the umbrella's moving parts, such as the crank mechanism or tilt mechanism, to prevent pinching or trapping fingers.

Store any removable parts, such as crank handles, out of reach of children.

Safe Use

Do not use your umbrella during inclement weather, including but not limited to, windy conditions, thunderstorms, heavy rains, or freezing temperatures.

Do not leave the umbrella unattended when it is in use and open.

Inspect Regularly

Check for loose parts, sharp edges, or any other hazards. Tighten screws and bolts as needed and make any necessary adjustments to ensure the umbrella remains securely in place.

Notification

Cleaning & Maintenance

Routine maintenance

Close the umbrella when not in use to protect it from sun exposure, wind, and harsh weather conditions. Use a protective cover (sold separately) to shield the umbrella from dirt, dust, and moisture.

During adverse weather conditions or the winter, store the umbrella in a clean, dry place indoors to prevent damage from prolonged exposure to the elements. Before putting it into storage or covering, ensure the entire unit is clean and fully dry.

Metal Frame

Inspect the frame and hardware regularly for signs of wear, rust, or corrosion. Replace any damaged or worn-out components promptly.

After installation, periodically tighten bolts and nuts as needed and make any necessary adjustments to ensure safety.

Canopy Fabric

Regularly clean the umbrella fabric with a solution of mild soap and warm water. Gently scrub with a soft brush or sponge, then rinse thoroughly. Do not use bleach, acid, solvents, or abrasive cleaners on the fabric.

Allow the fabric to air dry completely before closing the umbrella to prevent mildew and mold growth.

Attention

Umbrella base tube has 3° backward to the vertical for engineering purpose.

