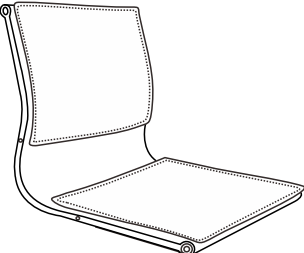
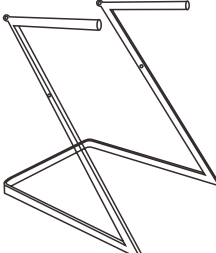





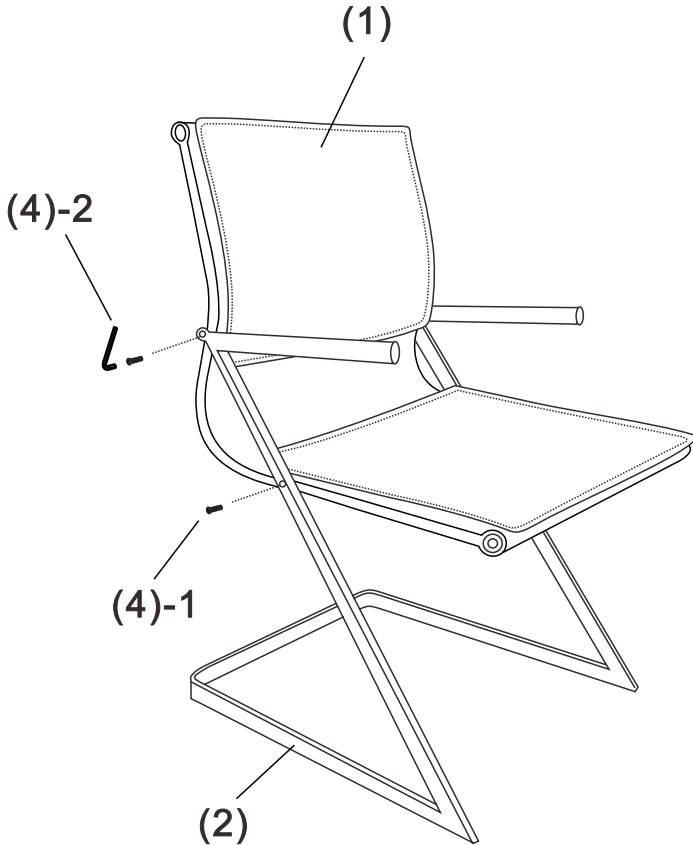
**ITEM NAME /NOM D' ITEM:LIDER PLUS CONFERENCE CHAIR
(WHITE/BLANC)**

PART LIST/Liste des pièces

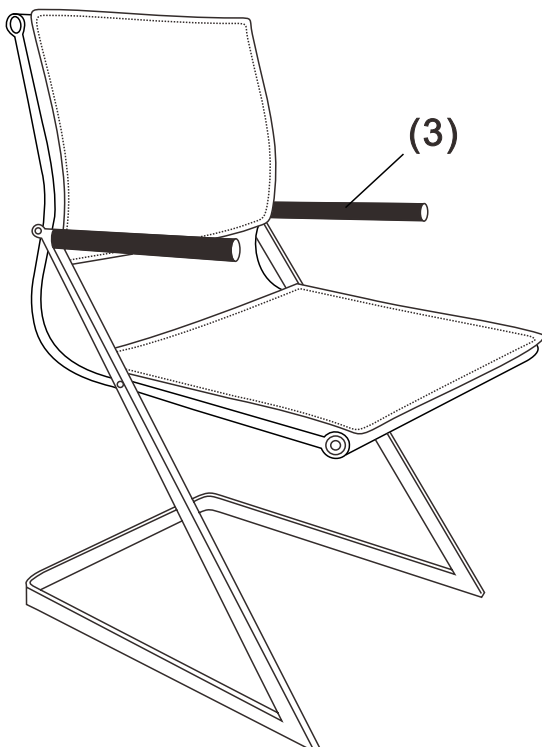
| (1) | (2) | (3) | (4) |
|--|---|--|---|
|  <p style="text-align: right;">X1</p> |  <p style="text-align: right;">X1</p> |  <p style="text-align: center;">Arm Cover</p> <p style="text-align: right;">X2</p> | <p>1.  X4</p> <p>2.  X1</p> |

INSTRUCTION

A


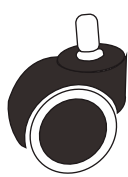

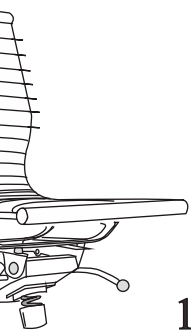
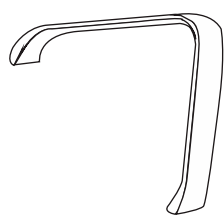
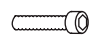




B



E-mail: info@zuomod.com

PART LIST

| | | |
|--|--|--|
|  1 PC | (2) WHEEL  5PCS | (3) GASLIFT  1 PC |
| SEAT & BACK  1 PC | (5) ARMREST  2PCS | |
| 1.  X4 6X55MM 2.  X4 3.  X1 5MM | | |

INSTRUCTION

