






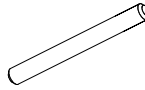

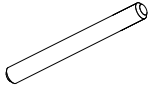
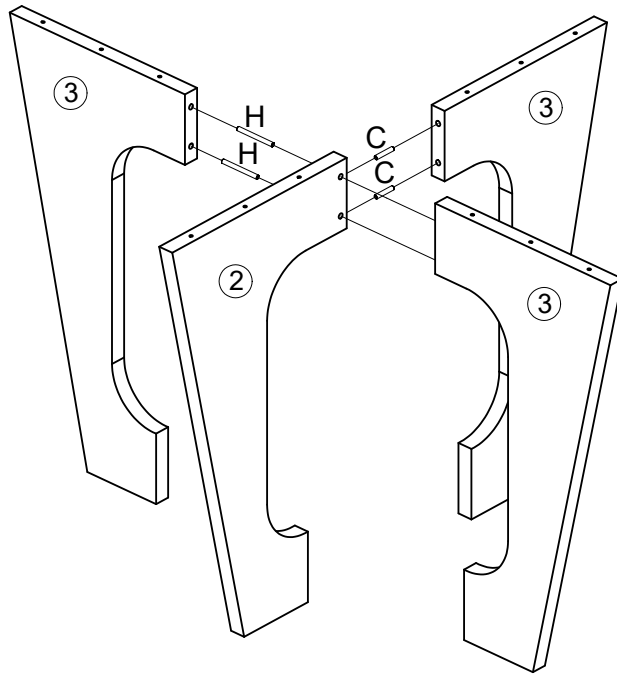


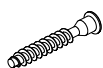


<p>A x 16</p>  <p>M6x25mm</p>	<p>B x 24</p>  <p>7x48mm</p>	<p>C x 14</p>  <p>Ø8x30mm</p>	<p>D x 4</p> 	<p>E x 16</p>  <p>4x14mm</p>	<p>F x 4</p> 	<p>G x 1</p>  <p>4mm</p>
<p>H x 2</p>  <p>Ø8x70mm</p>						

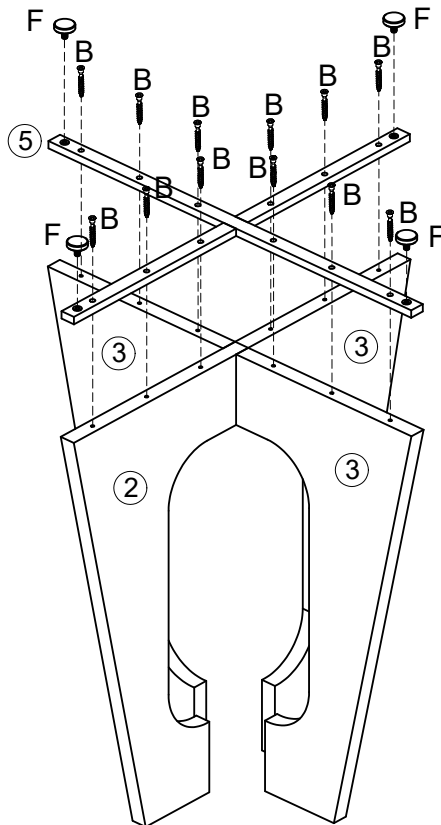
1

C x 2

Ø8x30mm
H x 2

Ø8x70mm

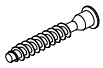



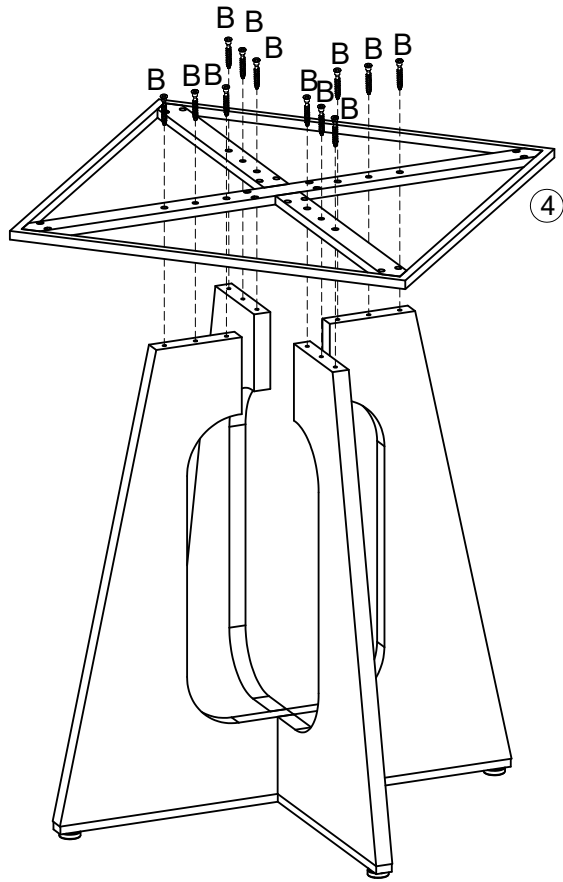
2

B x 12	F x 4	G x 1
		
7x48mm		4mm

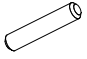


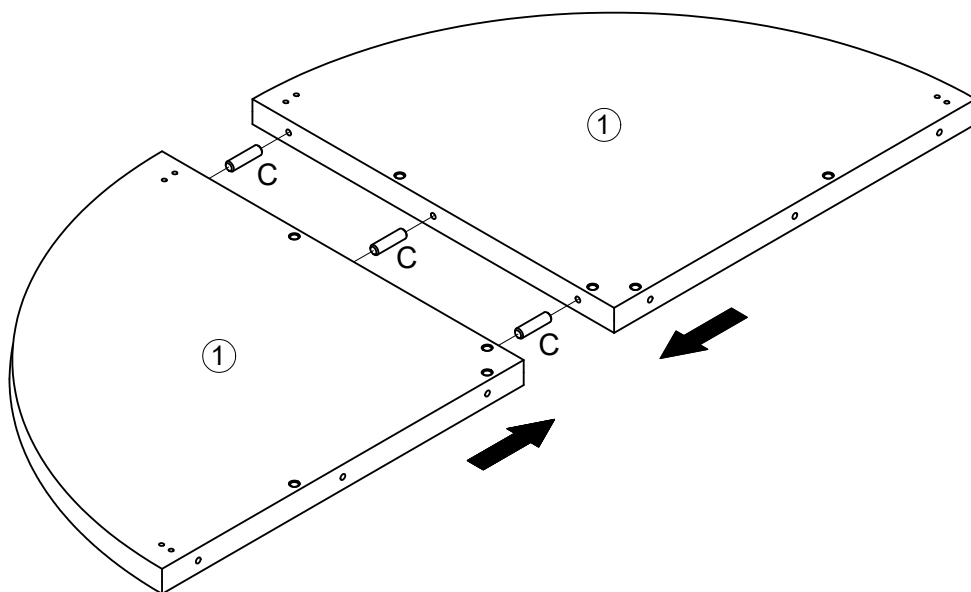
3

B x 12	G x 1
	
7x48mm	4mm



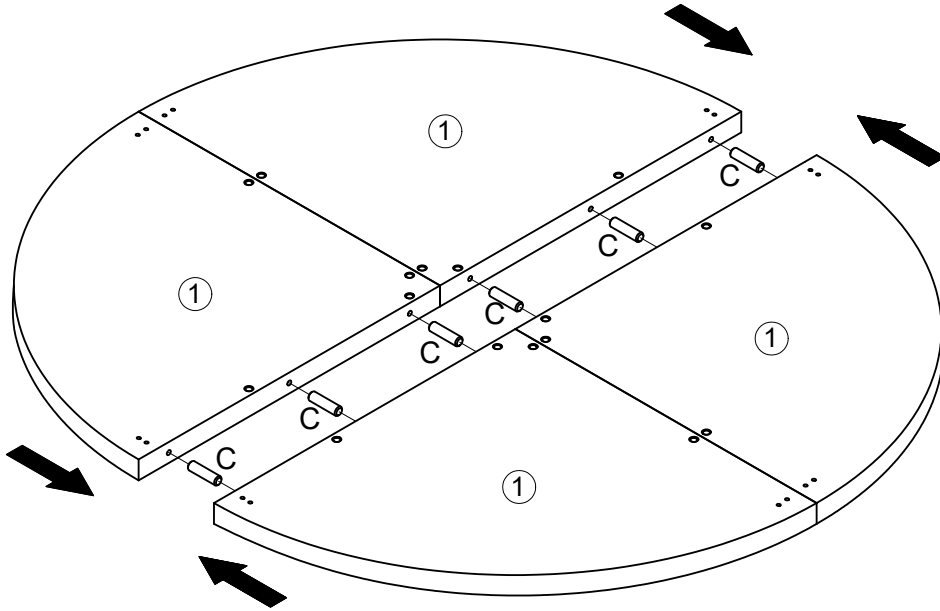
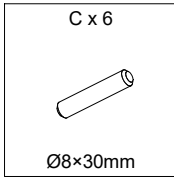
4

C x 6

Ø8x30mm

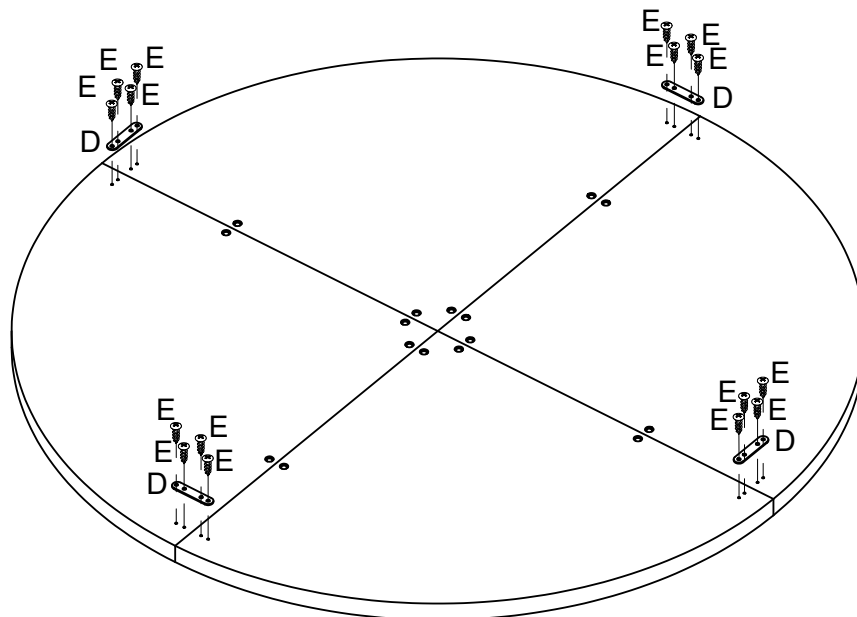
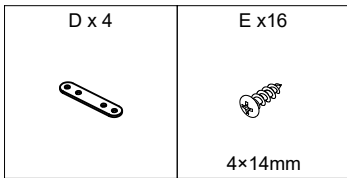


x 2

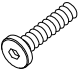

5

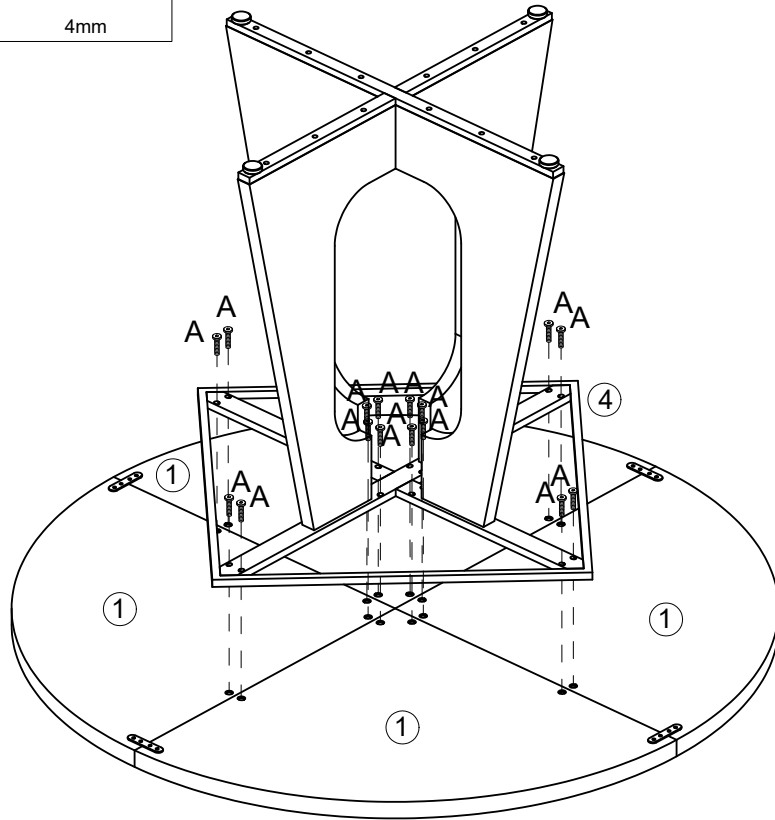


6



7

A x 16	G x 1
	
M6x25mm	4mm



8

