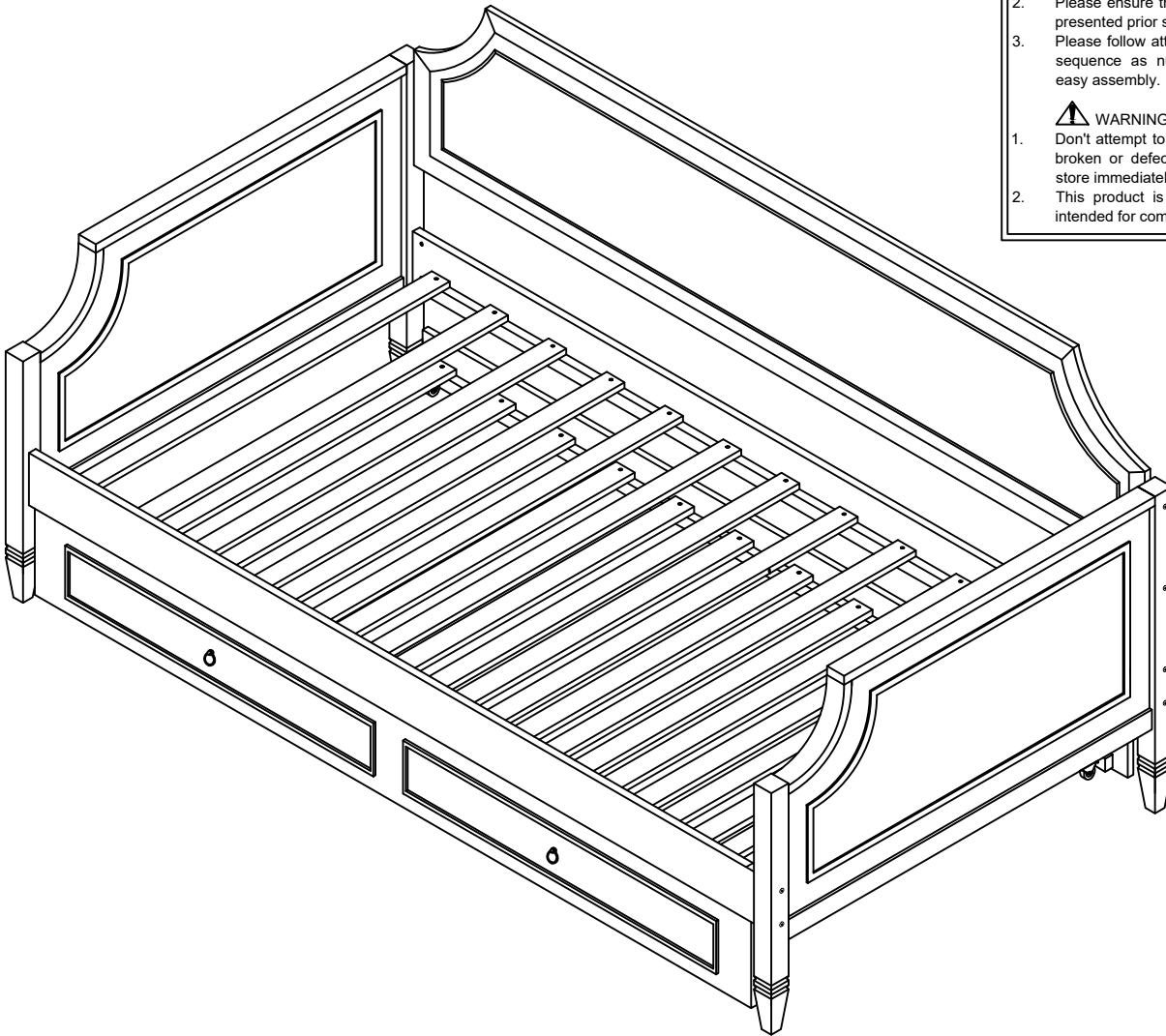


DAYBED

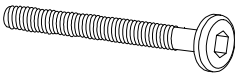
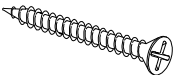





ASSEMBLY TIPS

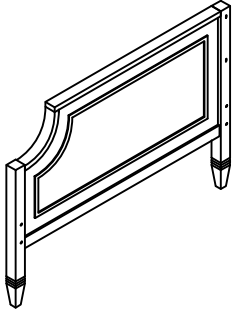
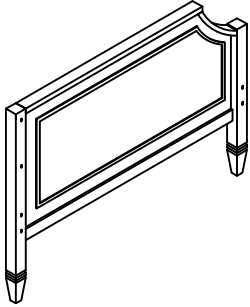
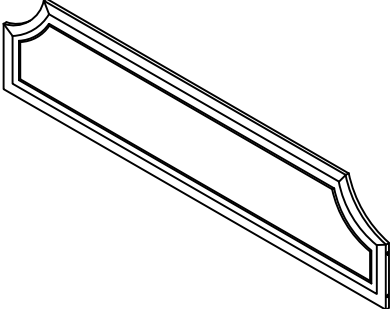
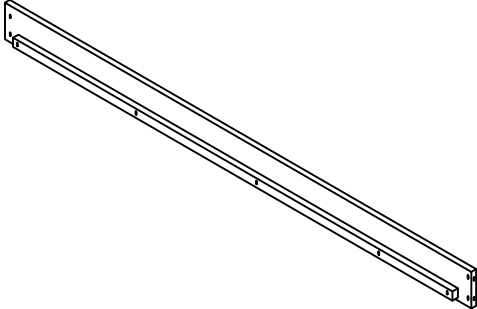
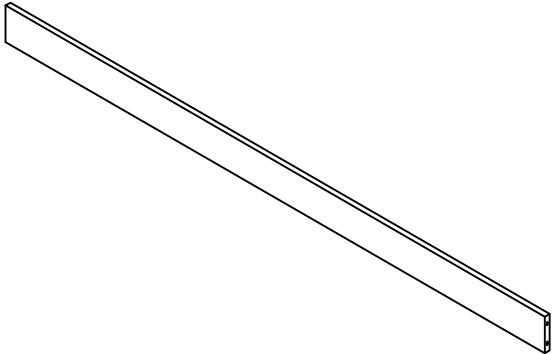
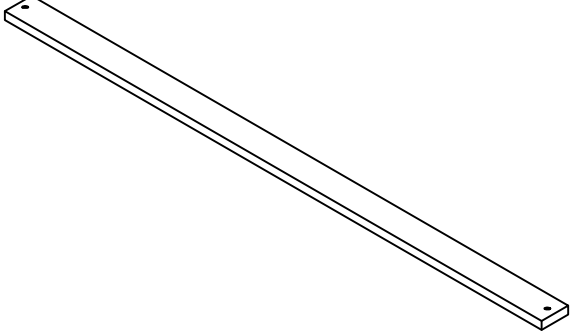
1. Remove hardware from box and sort by size.
2. Please ensure that all hardware and parts are presented prior start of assembly.
3. Please follow attached instruction in the same sequence as numbered to assure fast and easy assembly.

⚠ WARNING!

1. Don't attempt to repair or modify part that are broken or defective. Please contact with the store immediately.
2. This product is for home use only and not intended for commercial establishment.

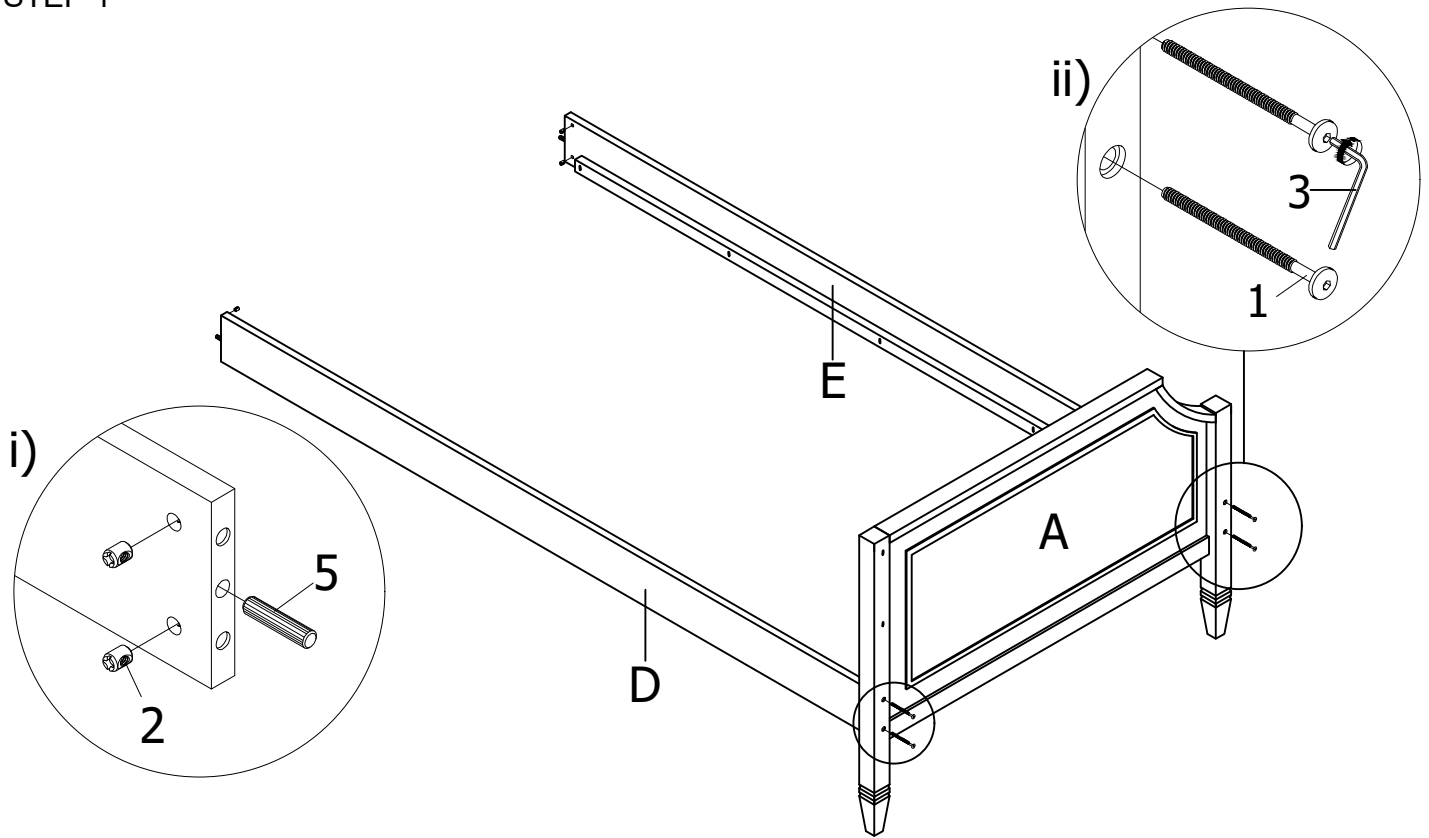
NO	HARDWARE LIST	QTY	NO	HARDWARE LIST	QTY
1	JCBC M6 x 80mm 	12	4	CSK M4 x 25 mm 	24
2	BARREL NUT 	12	5	WOODEN DOWER 	4
3	ALLEN KEY M4 	1			

DAYBED

NO	PART LIST	QTY
A	 <p>HEADBOARD PANEL</p>	1
B	 <p>FOOTBOARD PANEL</p>	1
C	 <p>BACK PANEL</p>	1
D	 <p>SIDE RAIL (Left)</p>	1
E	 <p>SIDE RAIL (Right)</p>	1
F	 <p>BED SLAT</p>	12

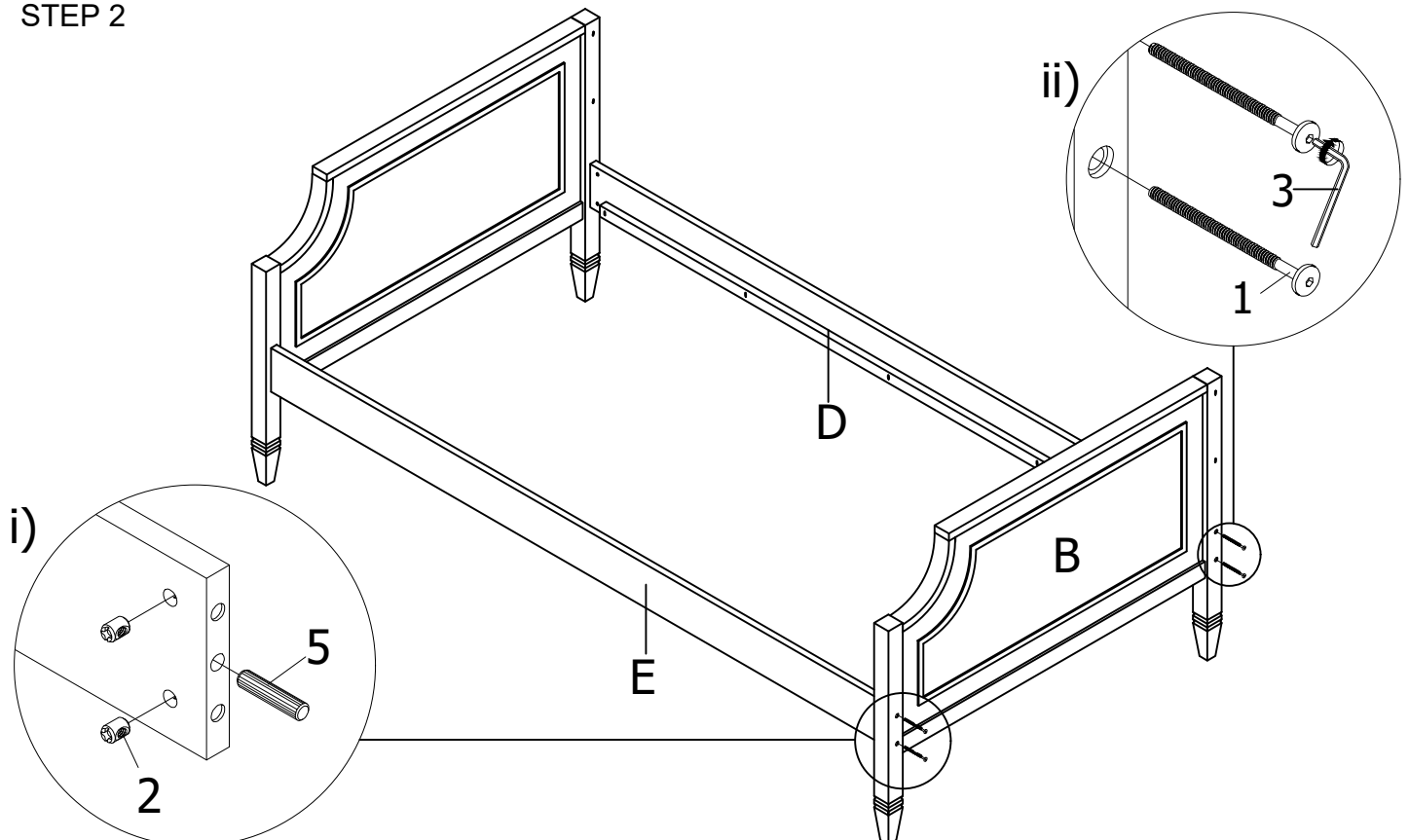
ASSEMBLY INSTRUCTION

STEP 1



- Insert the wooden dowel (5) in the hole of side rail (D&E).
- Attach the side rail (D&E) to the Headboard (A) by inserting the Barrel Nut (2) and tightening JCBC M6 x 80mm (1) from outside Headboard (A) securely.
- Only tightening when all the hardware are in position. Repeat the procedure for other side.

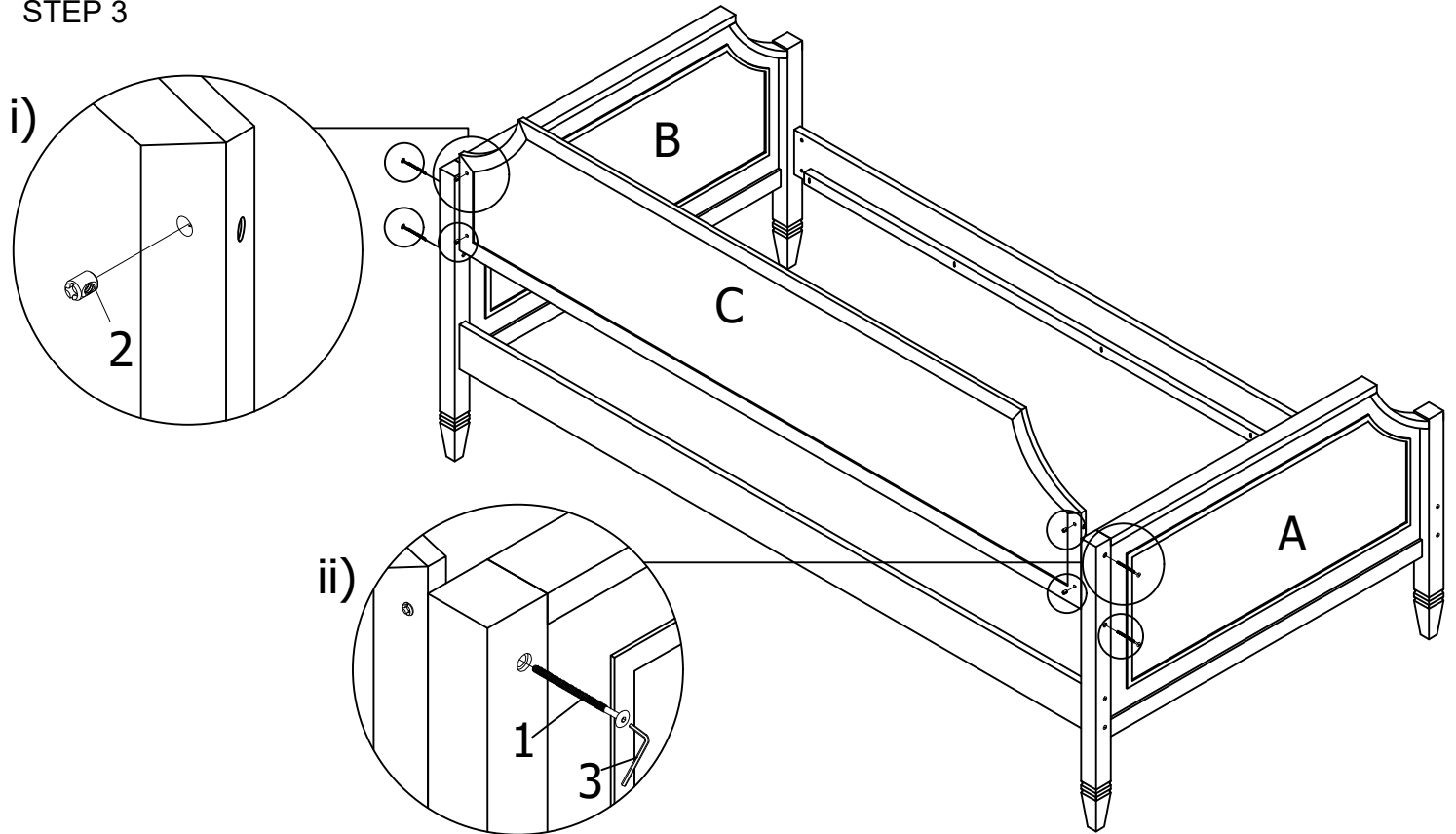
STEP 2



- Insert the wooden dowel (5) in the hole of side rail (D&E).
- Attach the side rail (D&E) to the Footboard (B) by inserting the Barrel Nut (2) and tightening JCBC M6 x 80mm (1) from outside Footboard (B) securely.
- Only tightening when all the hardware are in position. Repeat the procedure for other side.

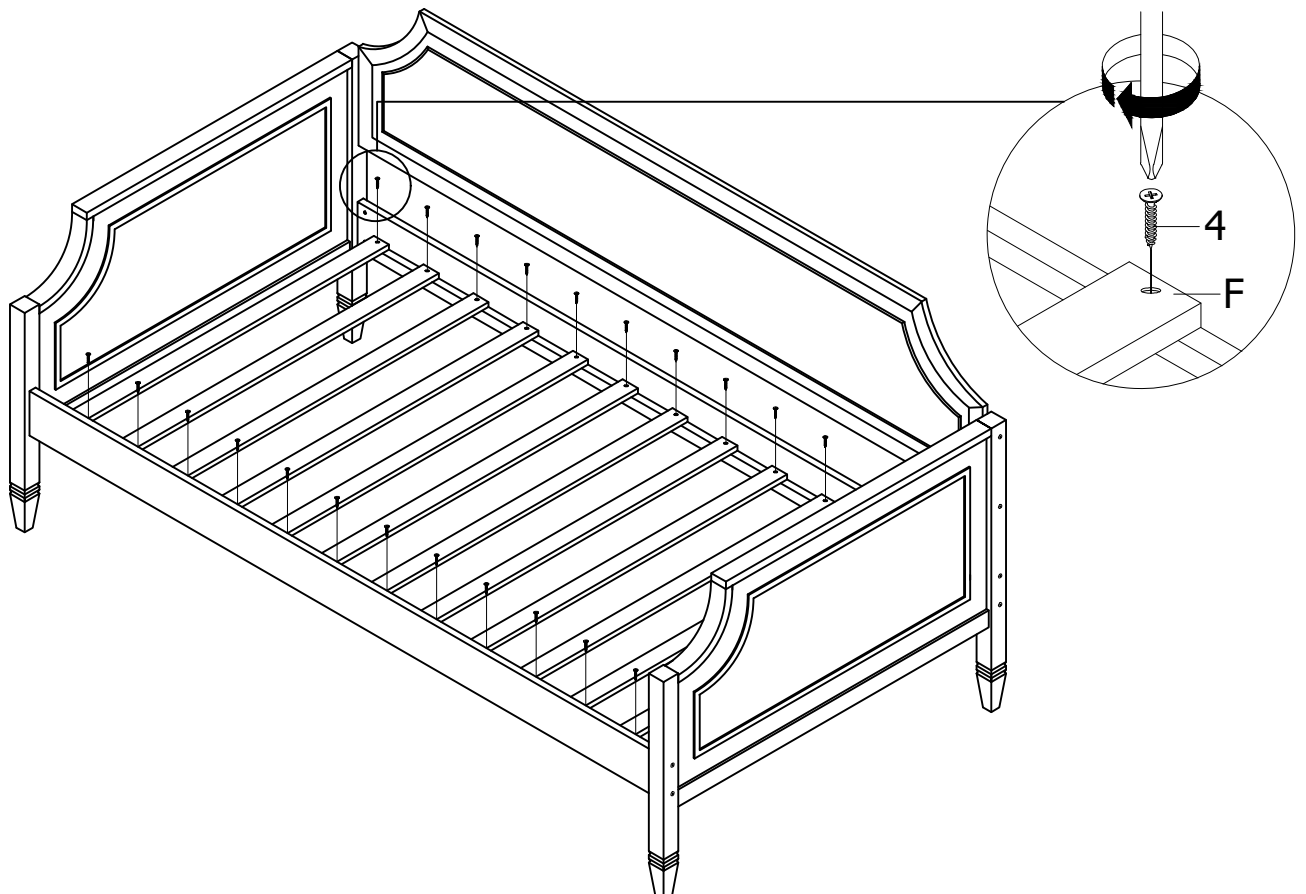
ASSEMBLY INSTRUCTION

STEP 3



- Attach the Back panel (C) in between Headboard (A) and Footboard (B) carefully.
- Insert the Barrel Nut (2) into the hole of Back panel (C) by tightening JCBC M6 x 80mm (1) securely.
- Only tightening when all the hardware are in position. Repeat the procedure for other side.

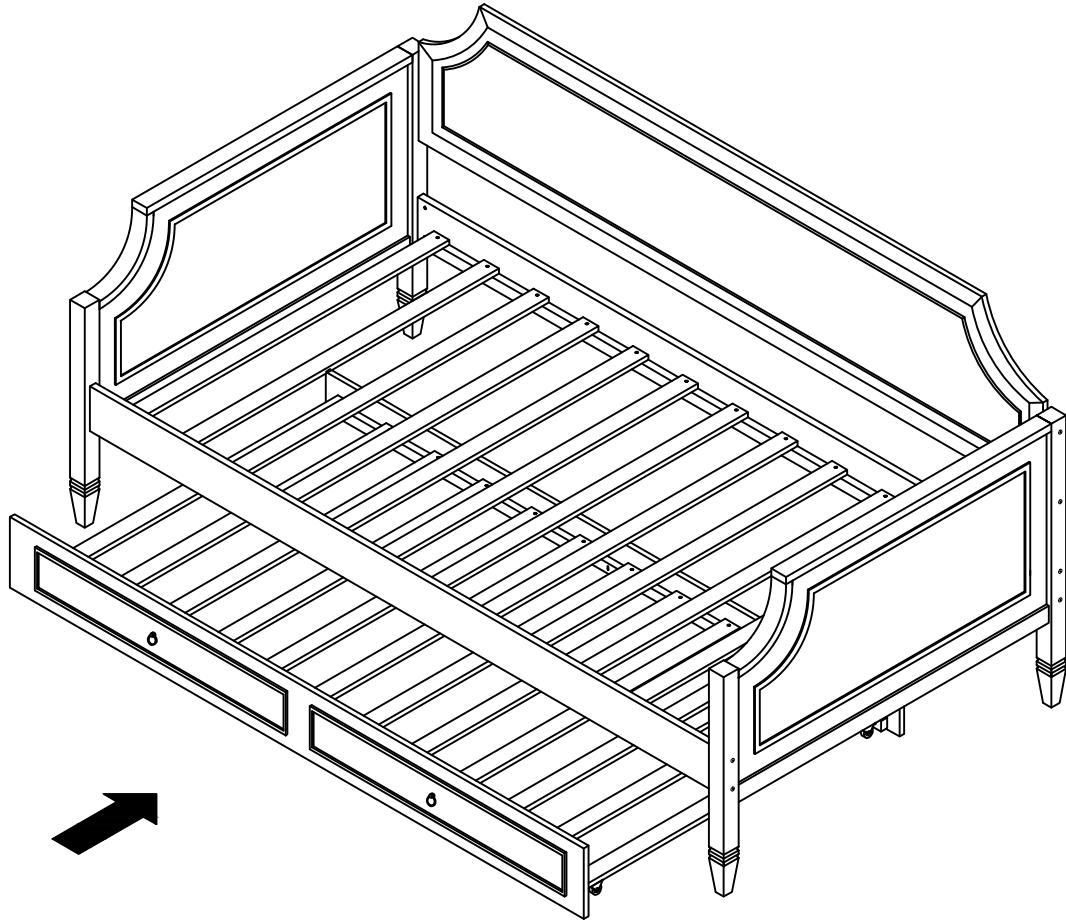
STEP 4



- Put the slats (F) in position and screw the CSK M4 X 25mm (4) with screw driver into the slat and bed.

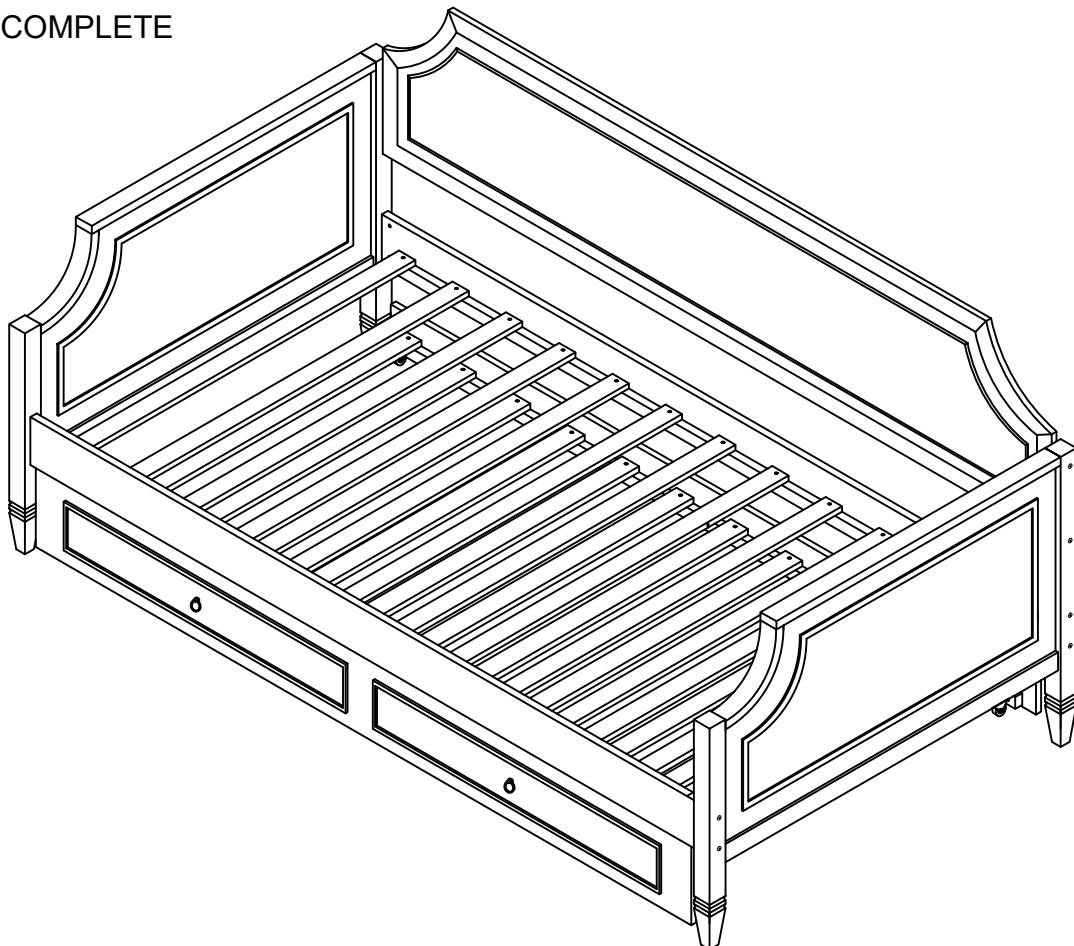
ASSEMBLY INSTRUCTION

STEP 5



- Insert the Trundle under the bed carefully.
- **REMARK: Please refer to Assembly Instruction for the Trundle bed assemble.**

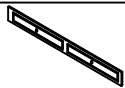

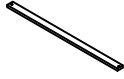
ASSEMBLY COMPLETE



- Ensure all the screw and fixing are secured periodically.

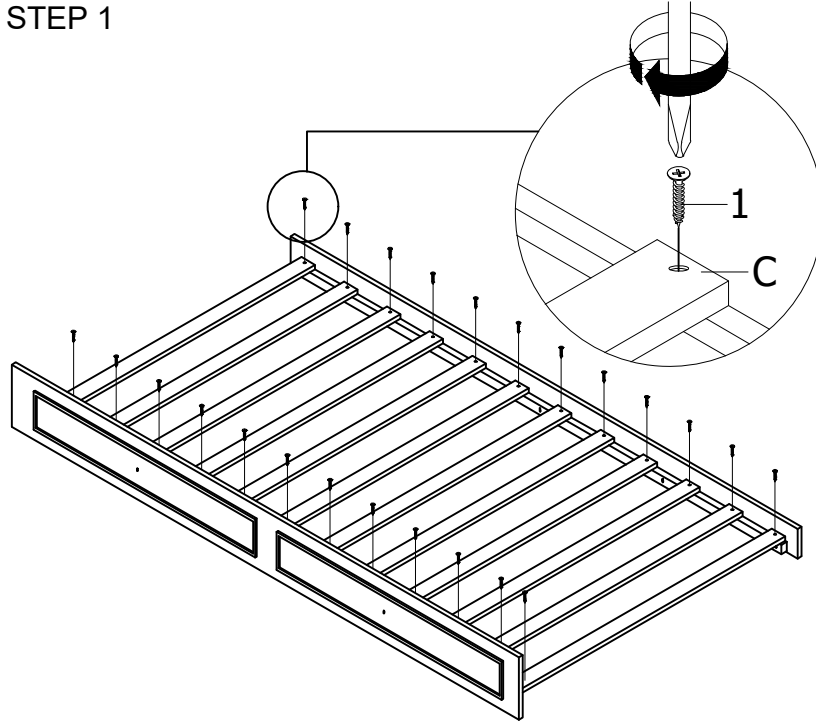
ASSEMBLY INSTRUCTION

MODEL: TRUNDLE

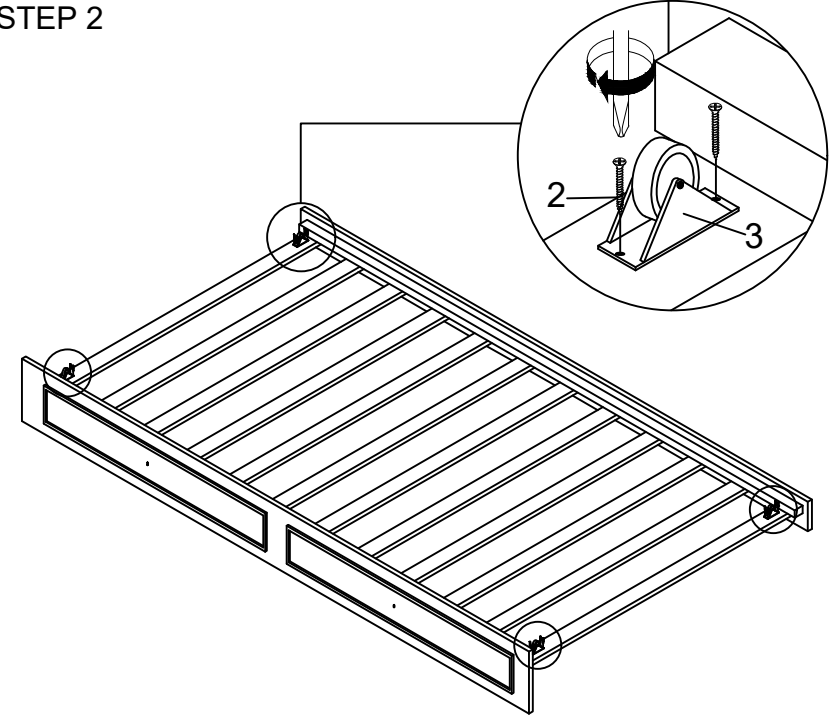
NO	PART LIST	QTY
A	 SIDE RAIL (Front)	1 PCS
B	 SIDE RAIL (Back)	1 PCS
C	 BED SLAT	12 PCS

NO	HARDWARE LIST	QTY
1	 CSK M4 x 25mm	24 PCS
2	 CSK M3.5 x 12mm	8 PCS
3	 ROLLER	4 PCS
4	 HANDLE	2 PCS
5	 THMS M4 x 20mm	2 PCS

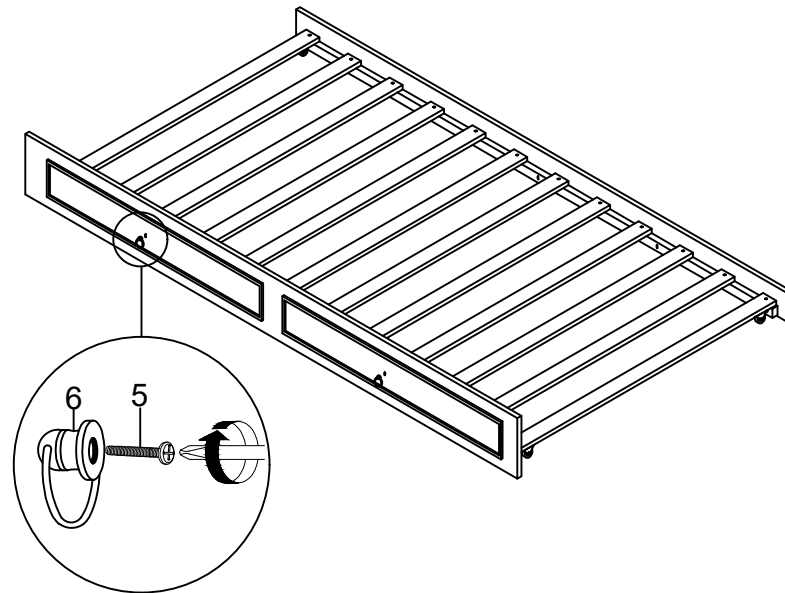
STEP 1



STEP 2



STEP 4



ASSEMBLY COMPLETE

