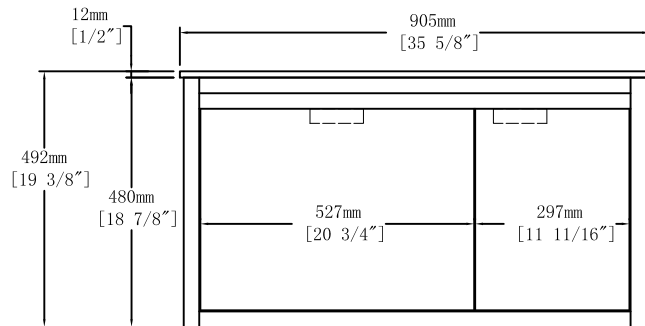
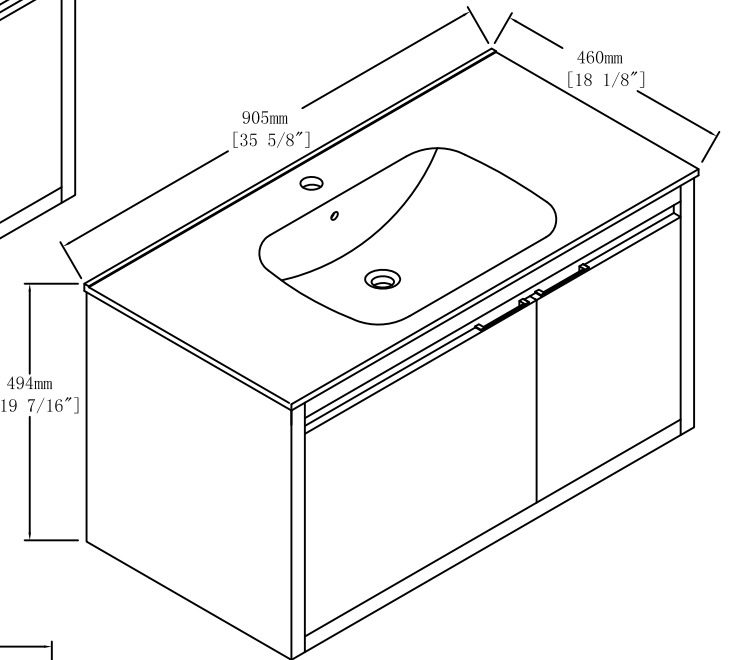
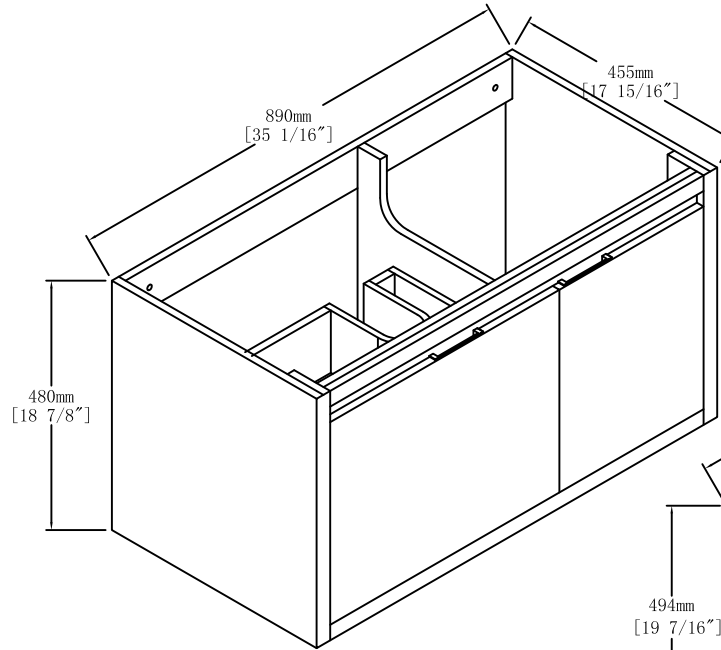
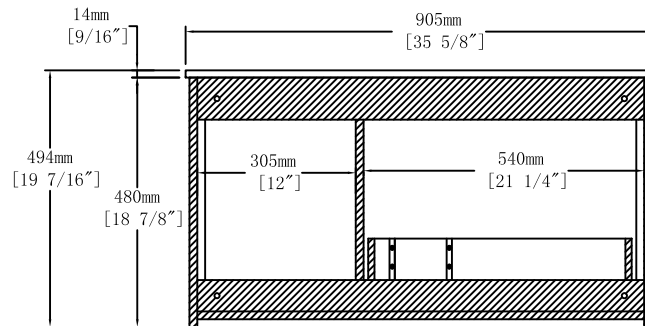


Top View



Front View



Front View

	Item NO.		Version	V1
	Project		Date	