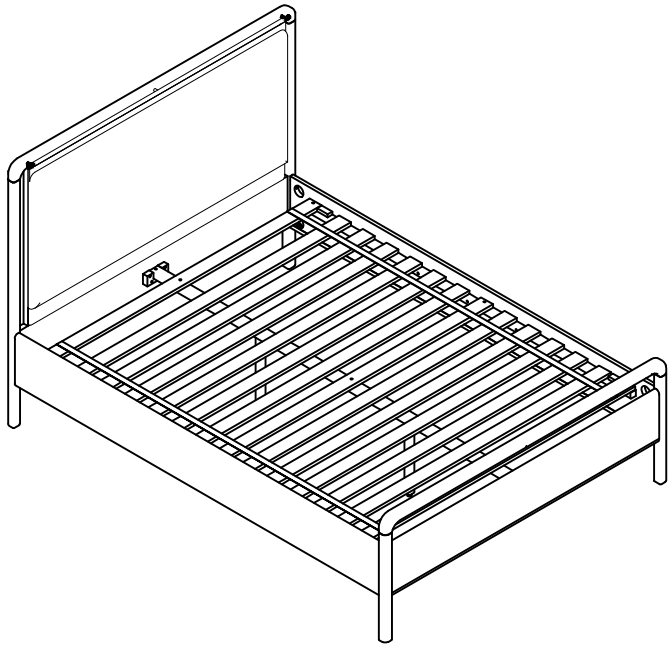
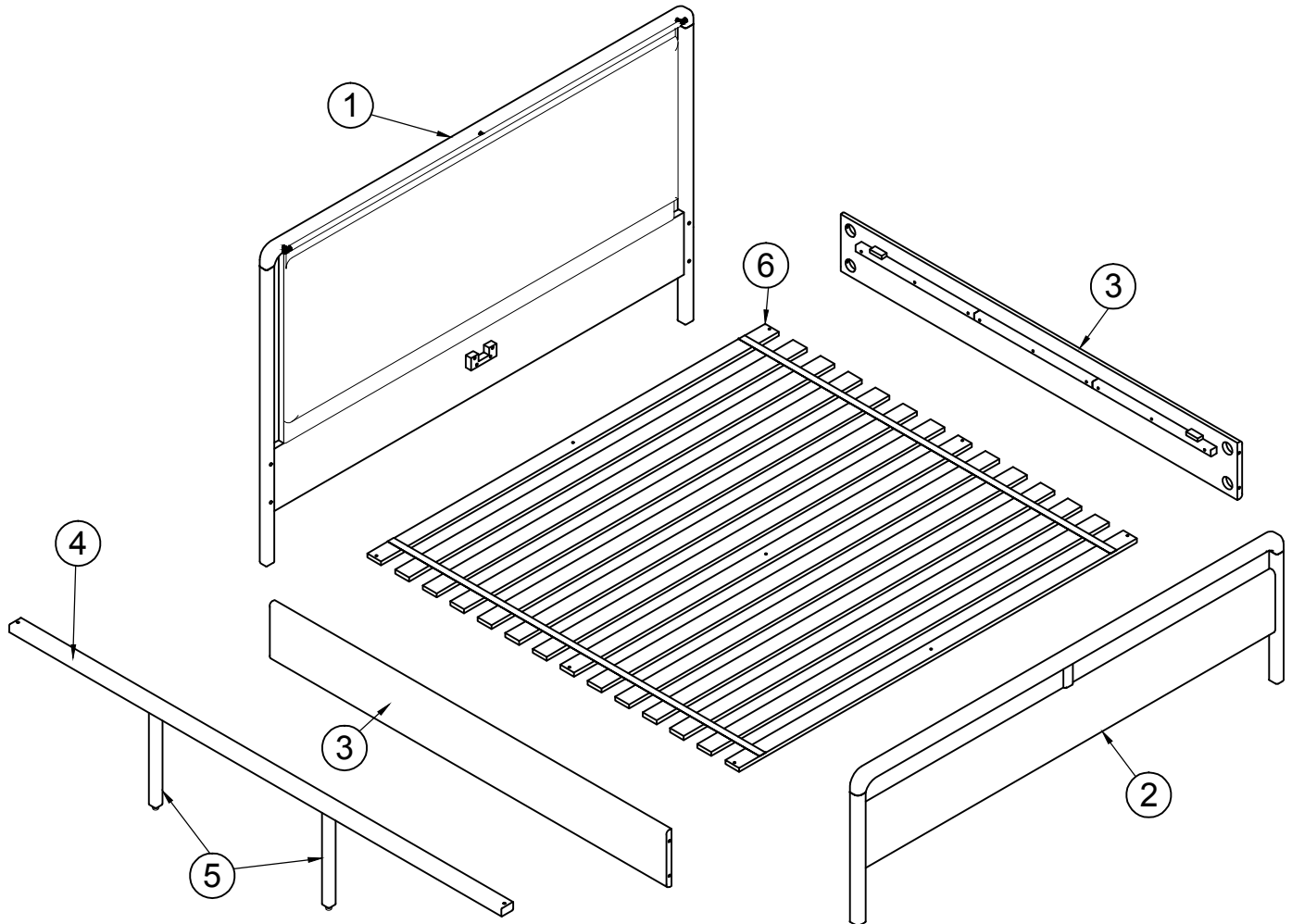


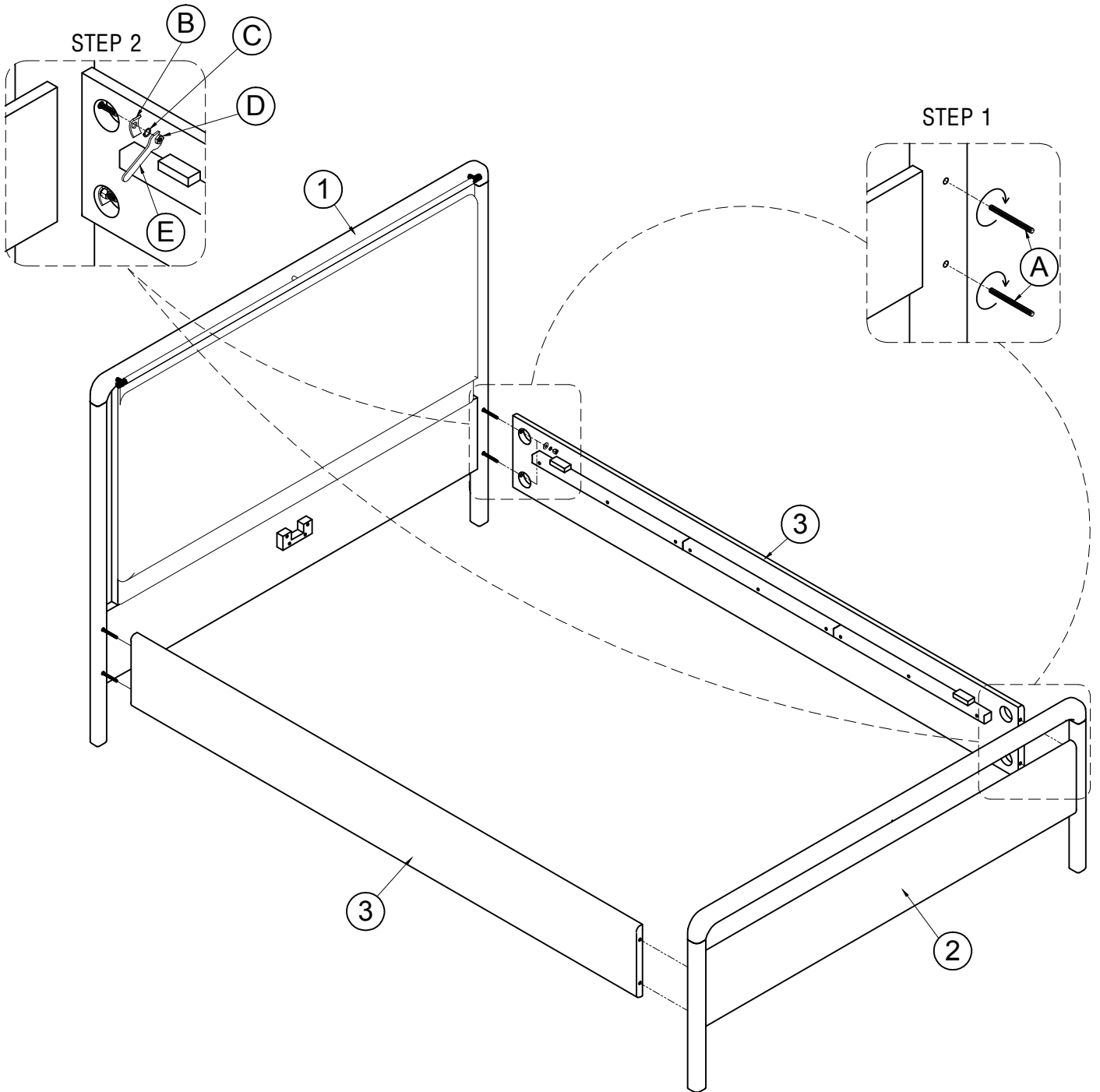
ASSEMBLY INSTRUCTION FOR MODEL: ROSEDALE QUEEN BED



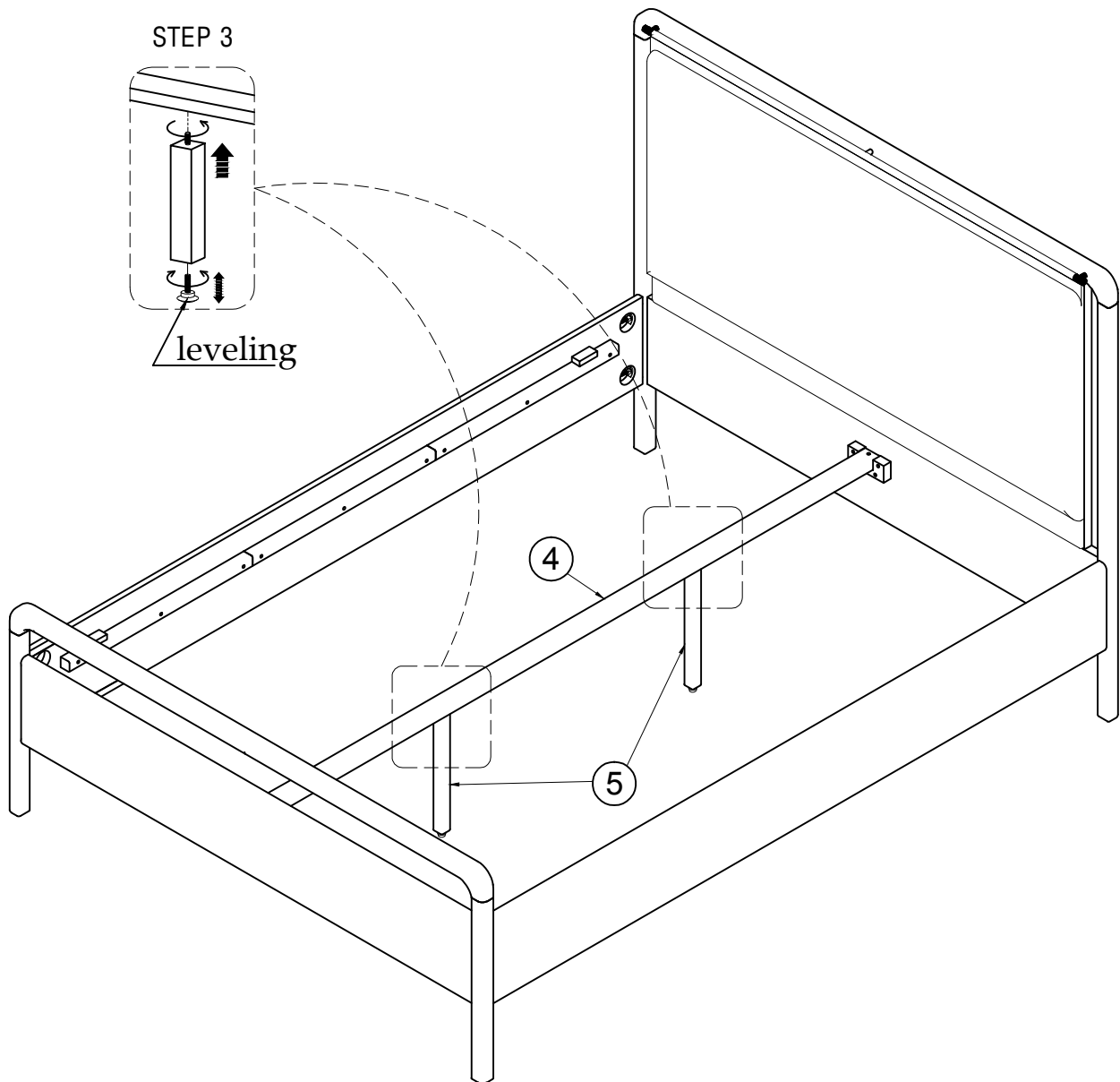
HARDWARE LIST				
A		Bolt	Ø8 x 60mm	8
B		Hexagon Nut	M8	8
C		Lock Washer	Ø10 x Ø15mm	8
D		Arc Washer	2x16x26mm	8
E		Wrench	Scale 13	1
F		Wood Screw	Ø4x35mm	2
G		Wood Screw	Ø4x25mm	9



ASSEMBLY INSTRUCTION FOR MODEL: ROSEDALE QUEEN BED



ASSEMBLY INSTRUCTION FOR MODEL: ROSEDALE QUEEN BED



Adjusting Floor Levelers

Your furniture has been expertly crafted and pre-adjusted by professionals. However, slight shifts can occur during transportation. If you notice that the doors are not perfectly aligned or the furniture wobbles, a quick adjustment can help ensure stability and a seamless look.

Adjust the Floor Levelers

Check for Stability - Place the furniture in its final position on a level surface. If it wobbles or doesn't sit evenly, the floor levelers need adjusting.

Locate the Levelers - These are small adjustable feet found at the bottom corners of your furniture.

Adjust as Needed - Using your hand or a wrench, turn the levelers clockwise to raise or counterclockwise to lower the furniture. Make small adjustments and check stability after each turn.

ASSEMBLY INSTRUCTION FOR MODEL: ROSEDALE QUEEN BED

