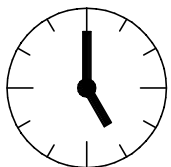
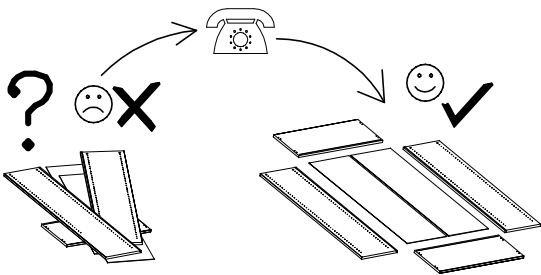
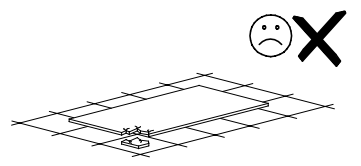
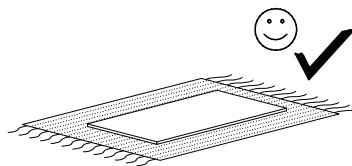
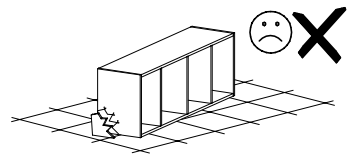
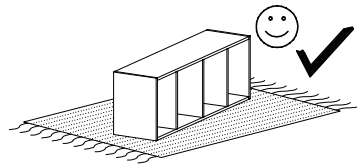
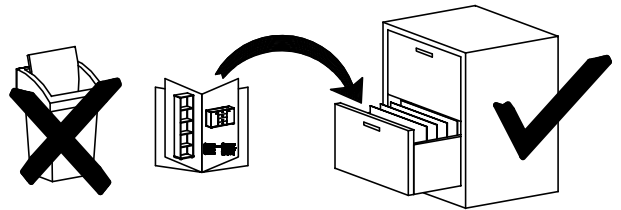
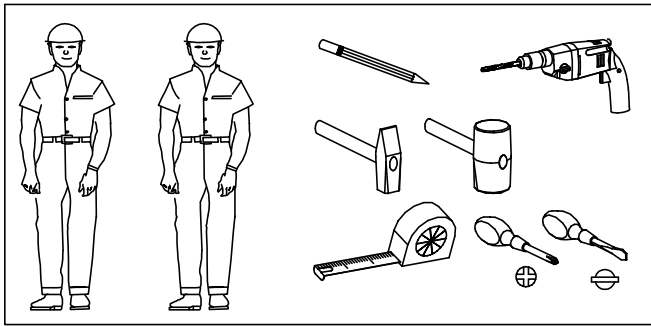
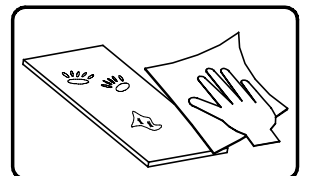
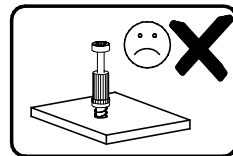
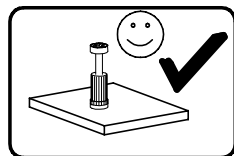
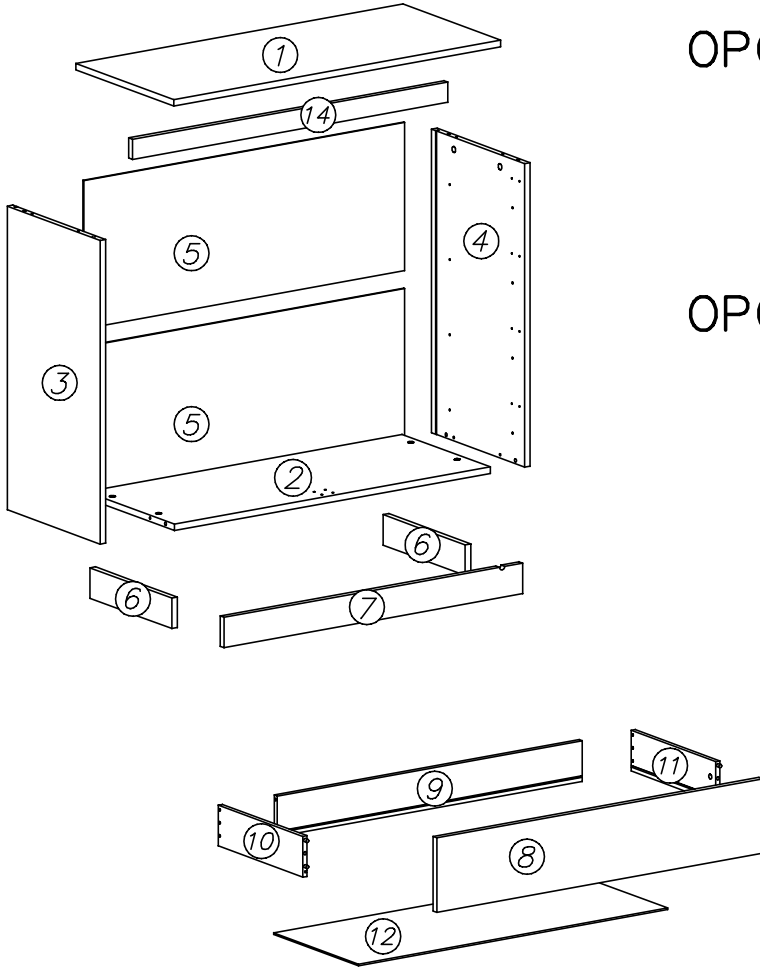
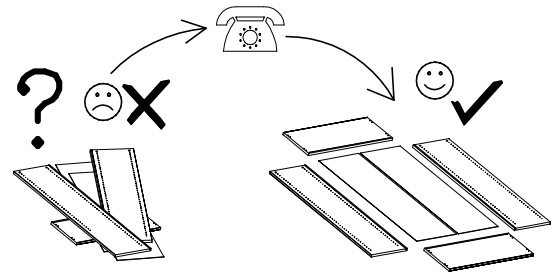
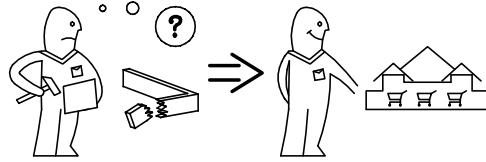
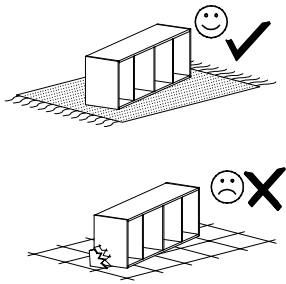


PUSH

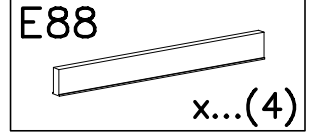


1,5h

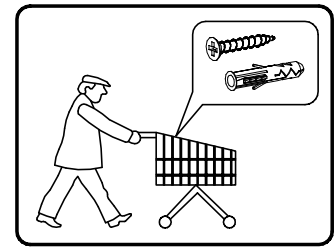
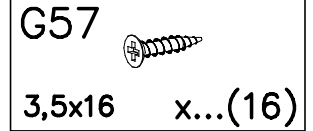
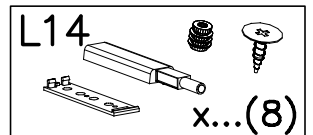
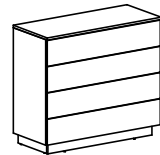




OPCJA A

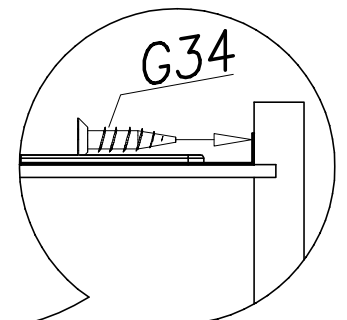
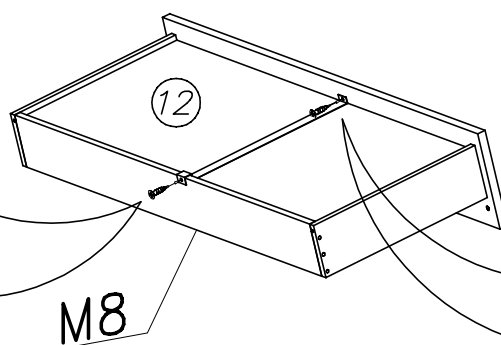
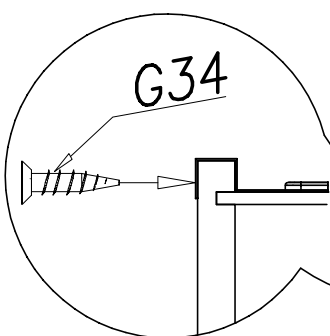
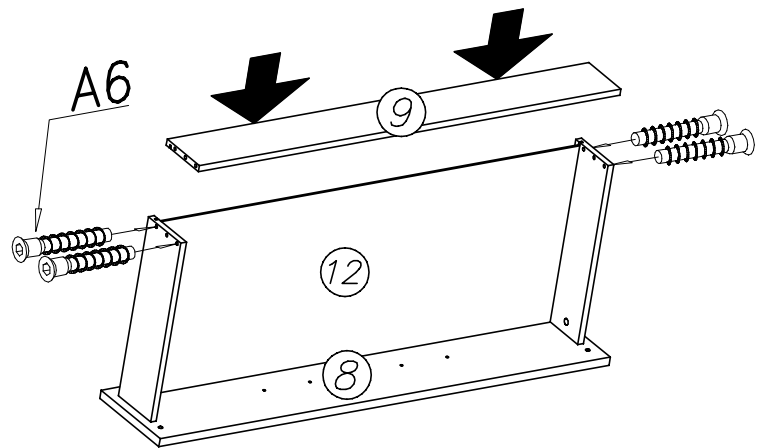
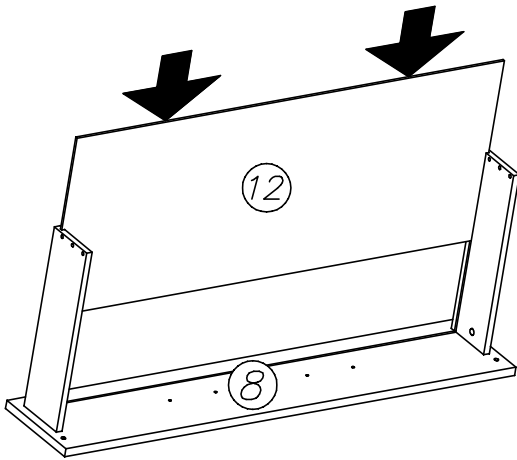
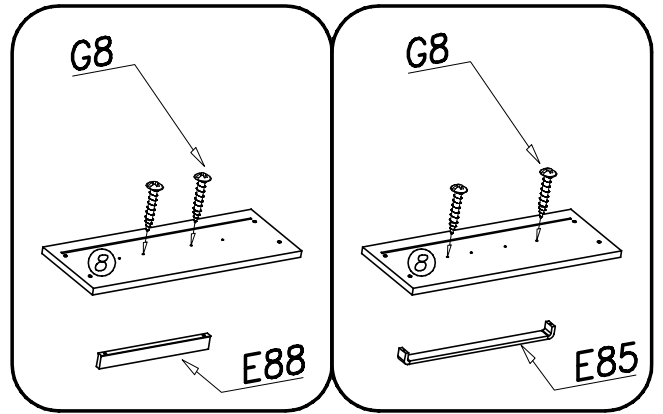
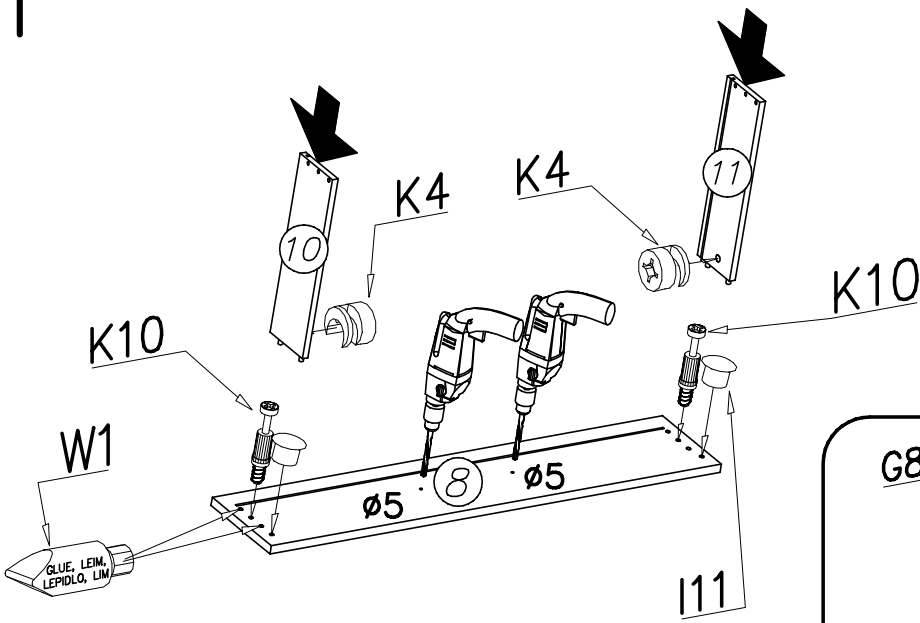


OPCJA B

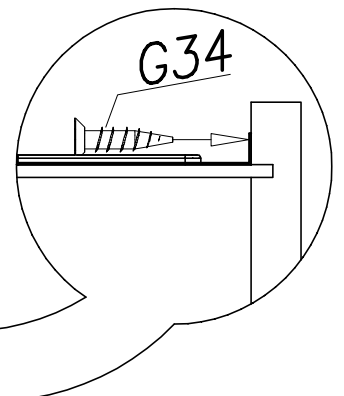
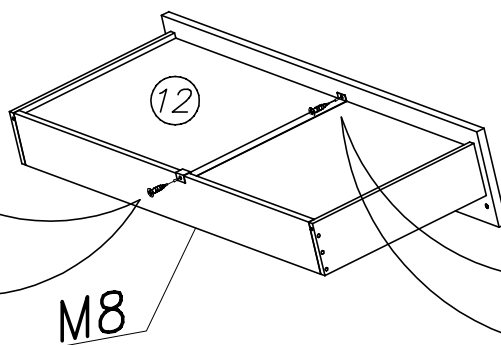
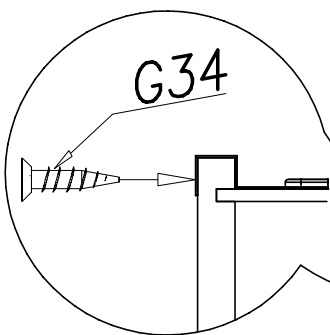
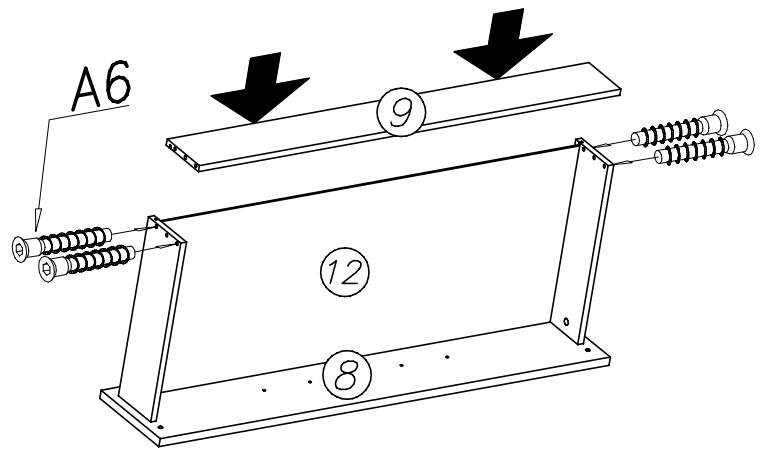
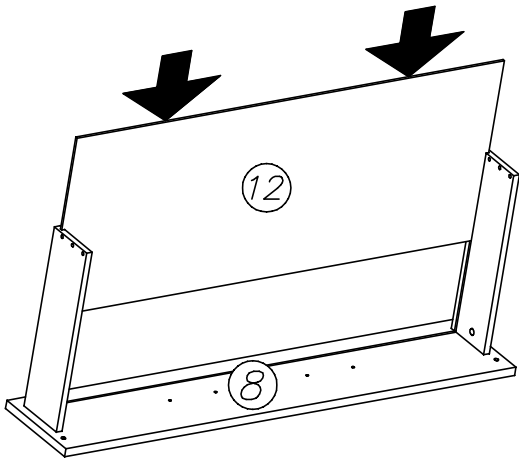
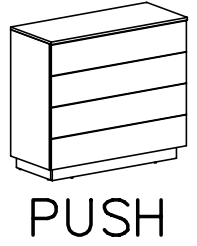
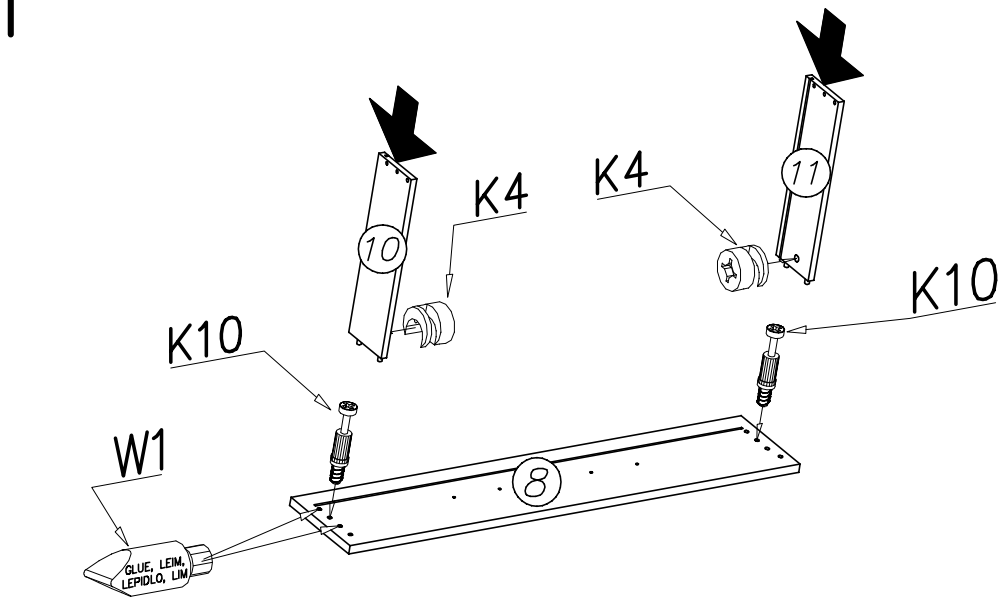


	S1 916mm x...(1)	I11 Ø10 x...(8)	M8 350mm x...(4)
H23 H27-350mm x...(4)	A6 Ø7x40 x...(16)	G20 5x13 x...(32)	M11 x...(1)
	W2 x...(1)	I1 x...(10)	W1 x...(2)
K1 Ø15x12 x...(8)	G8 4x30 x...(8)	K4 Ø12x10 x...(8)	G34 3,5x16 x...(70)
K10 x...(16)	B1 Ø8x35 x...(8)	I7 x...(8)	W10 700mm x...(1)

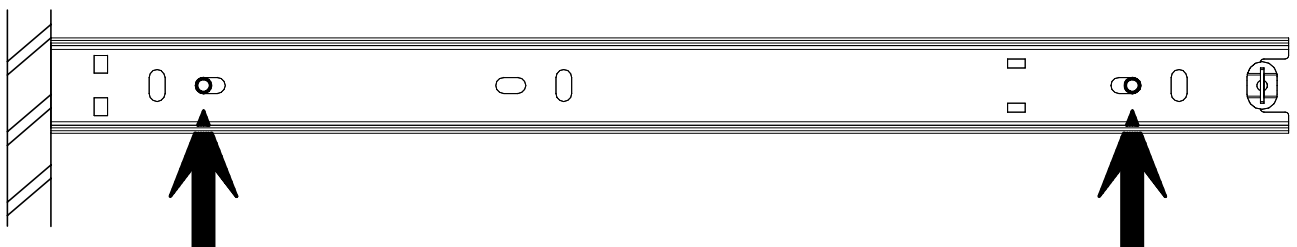
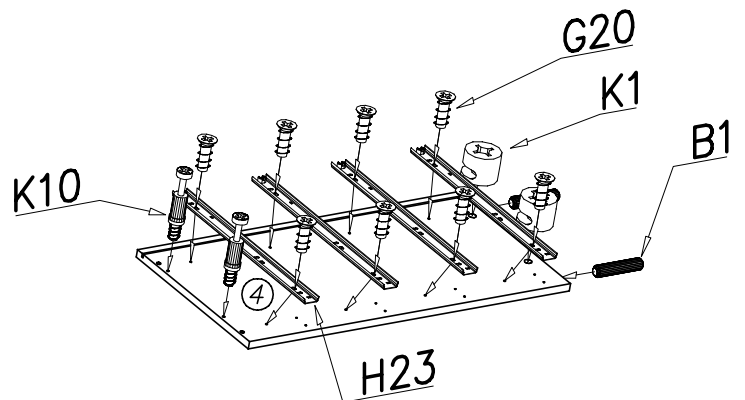
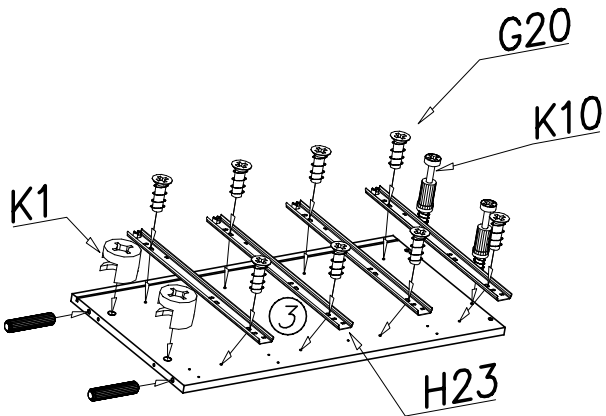
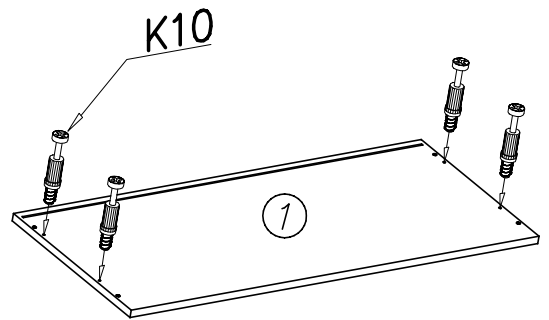
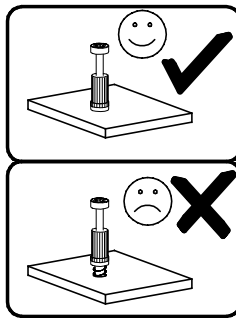
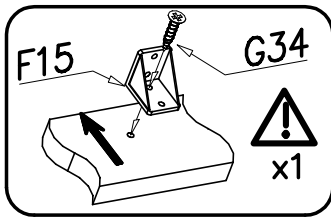
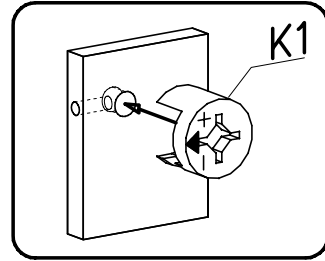
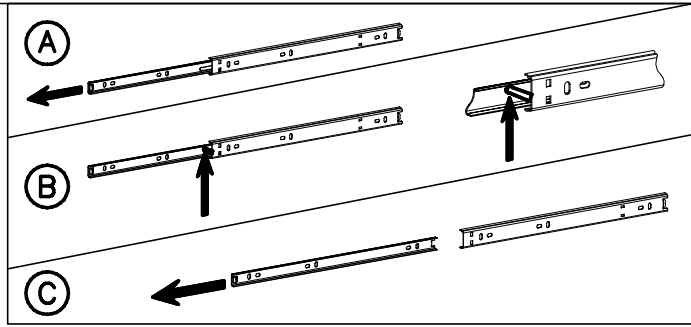
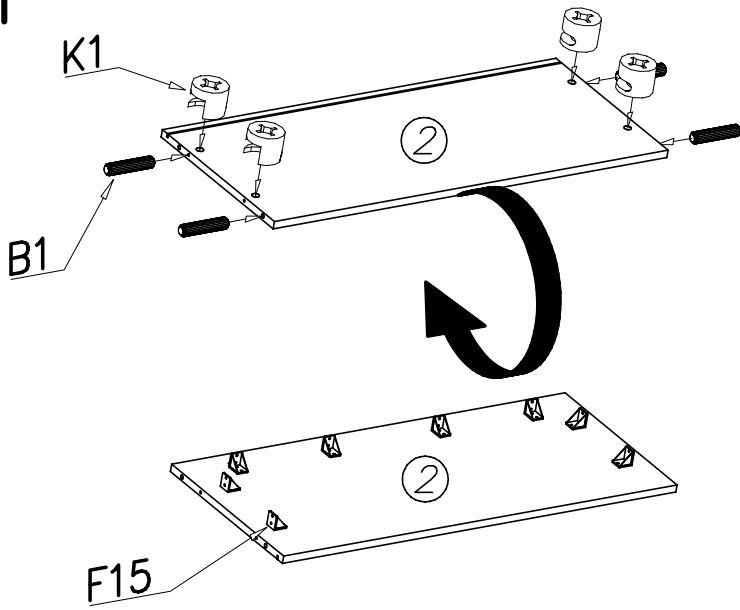
OPCJA A



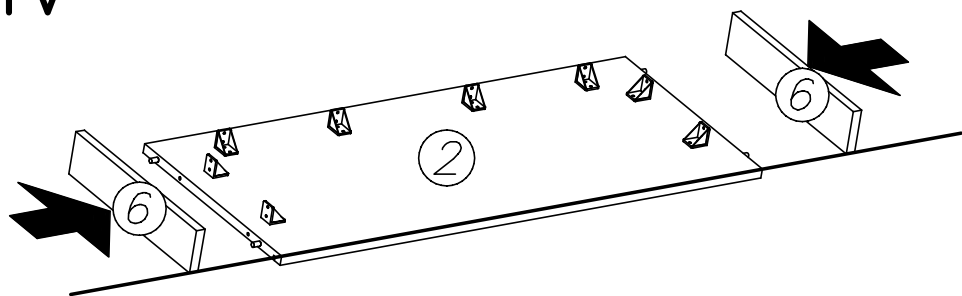
OPCJA B



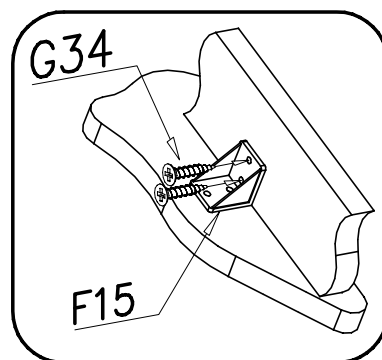
III



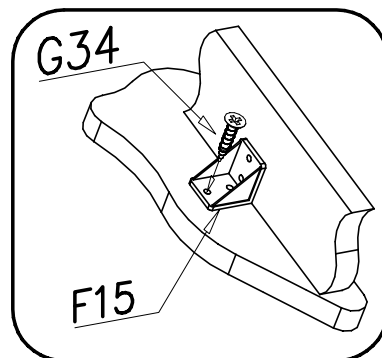
IV



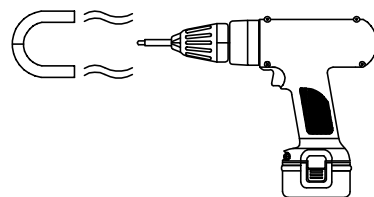
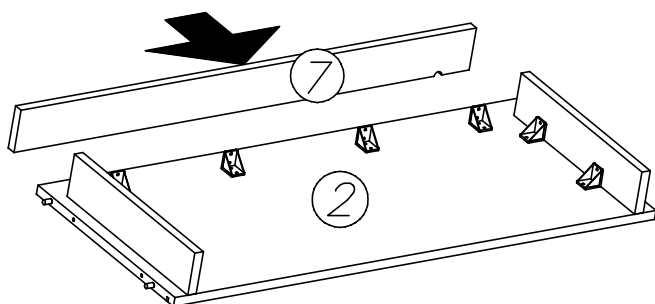
1.



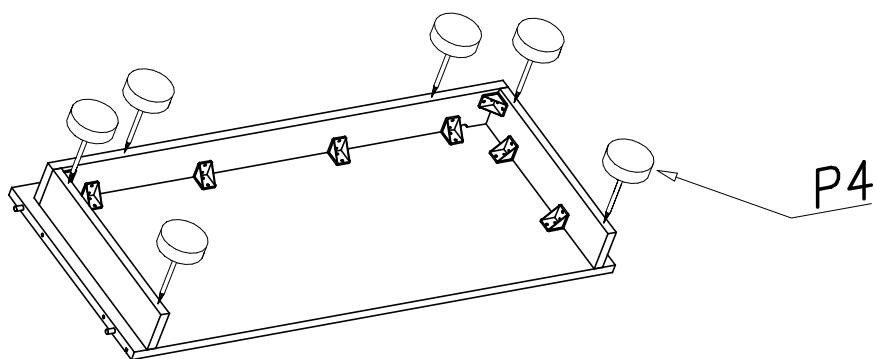
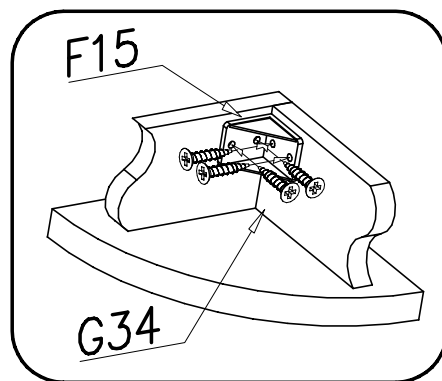
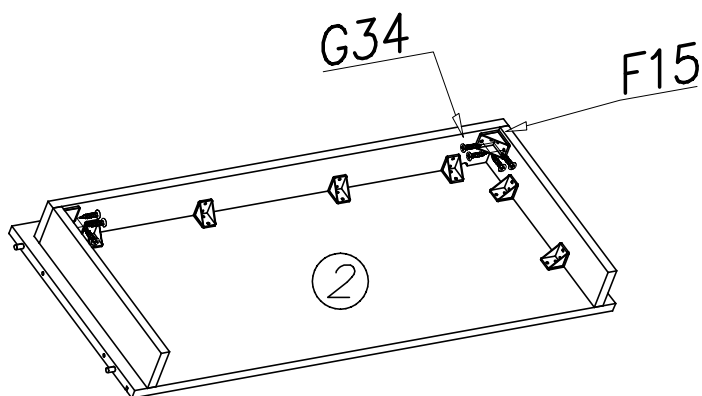
2.



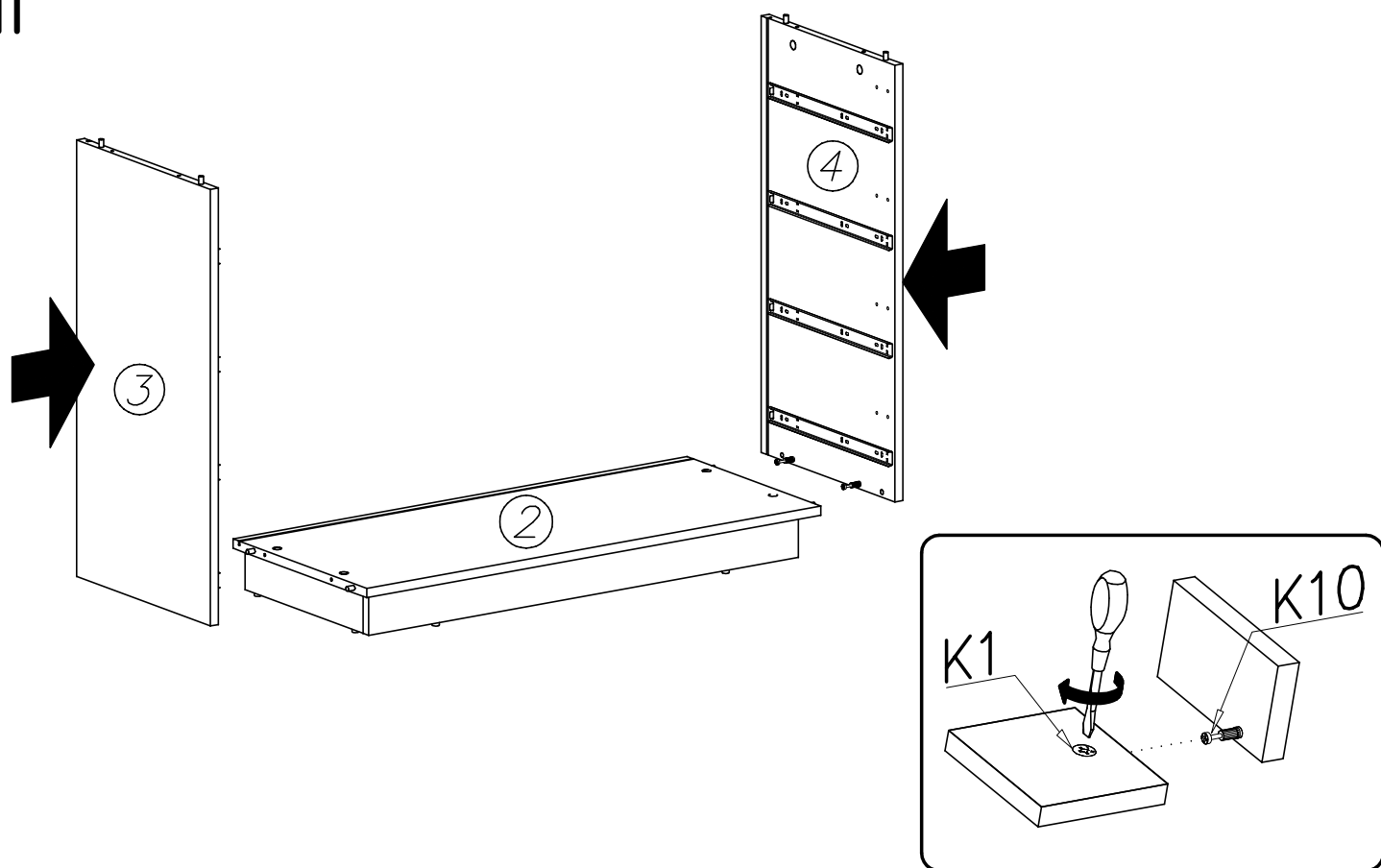
V



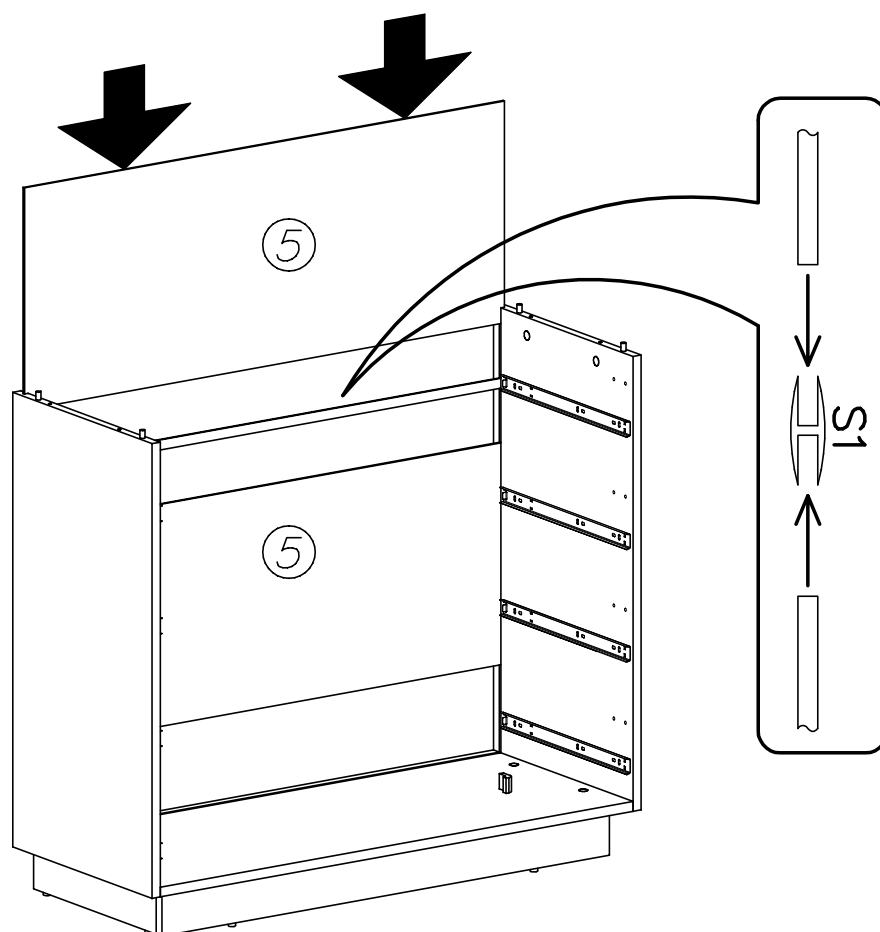
VI



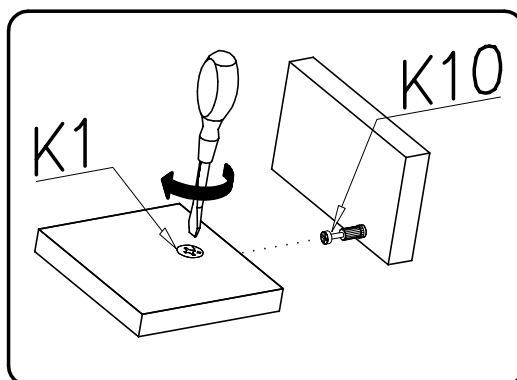
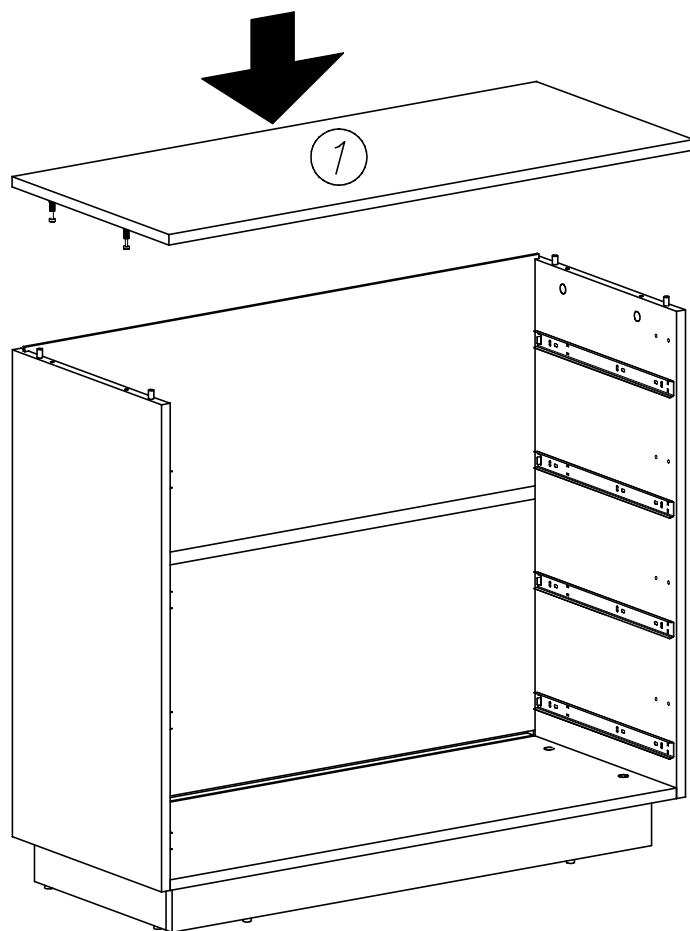
VII



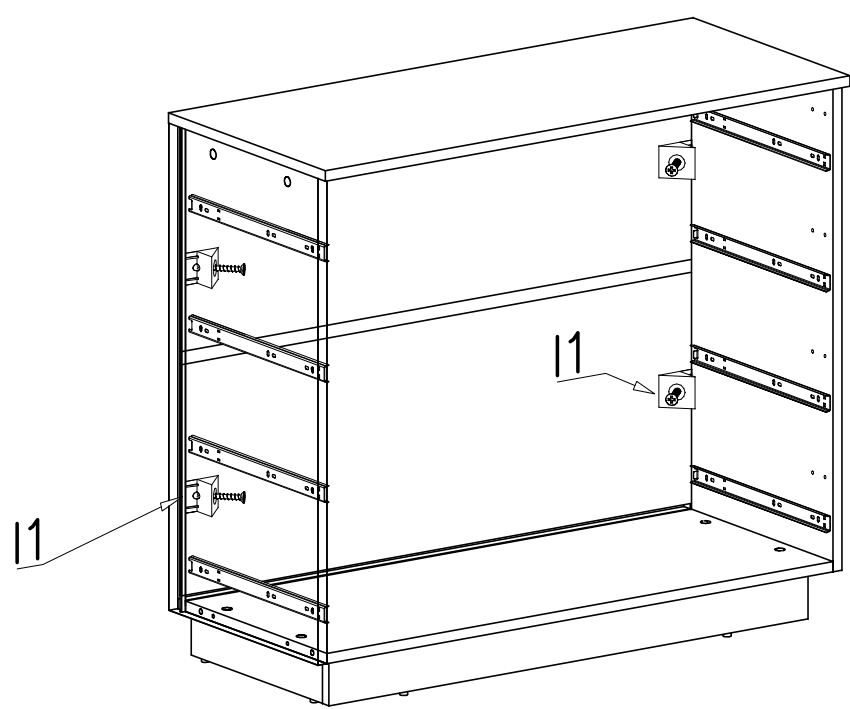
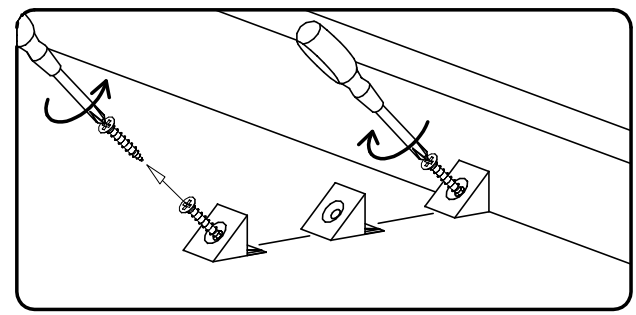
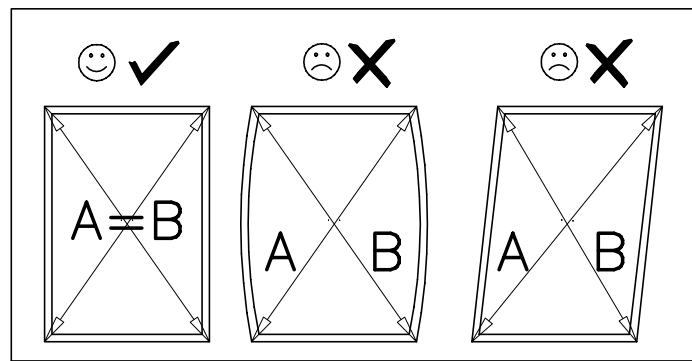
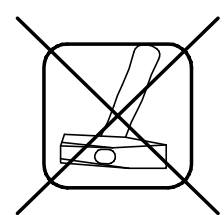
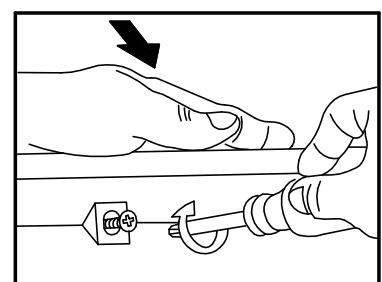
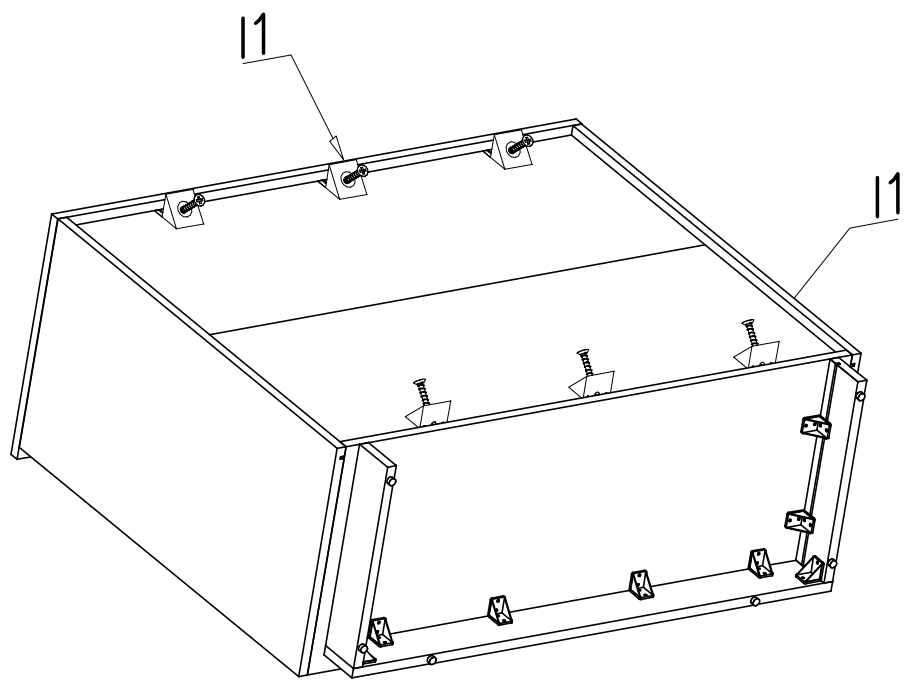
VIII



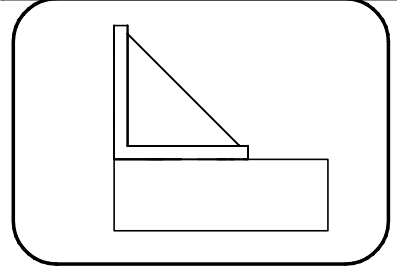
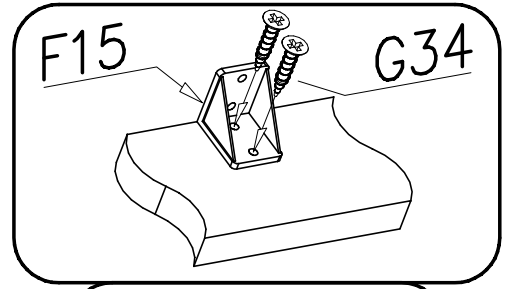
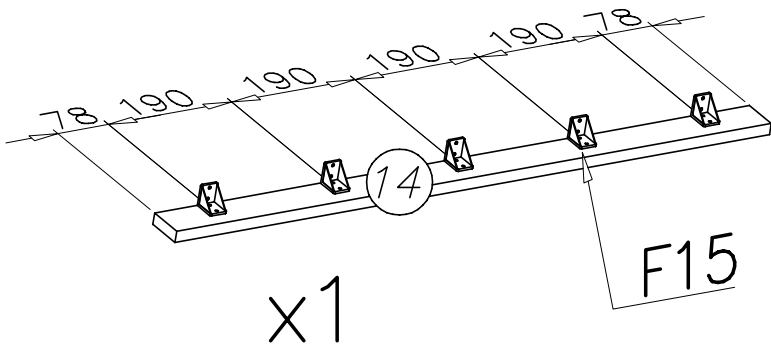
IX



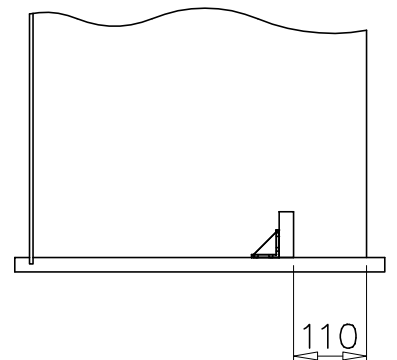
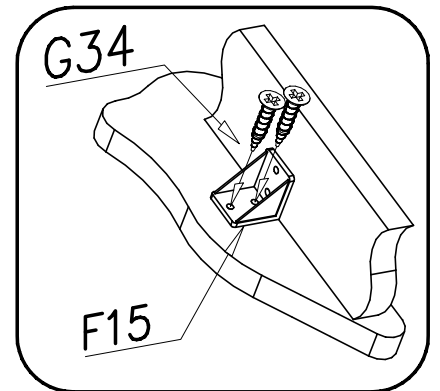
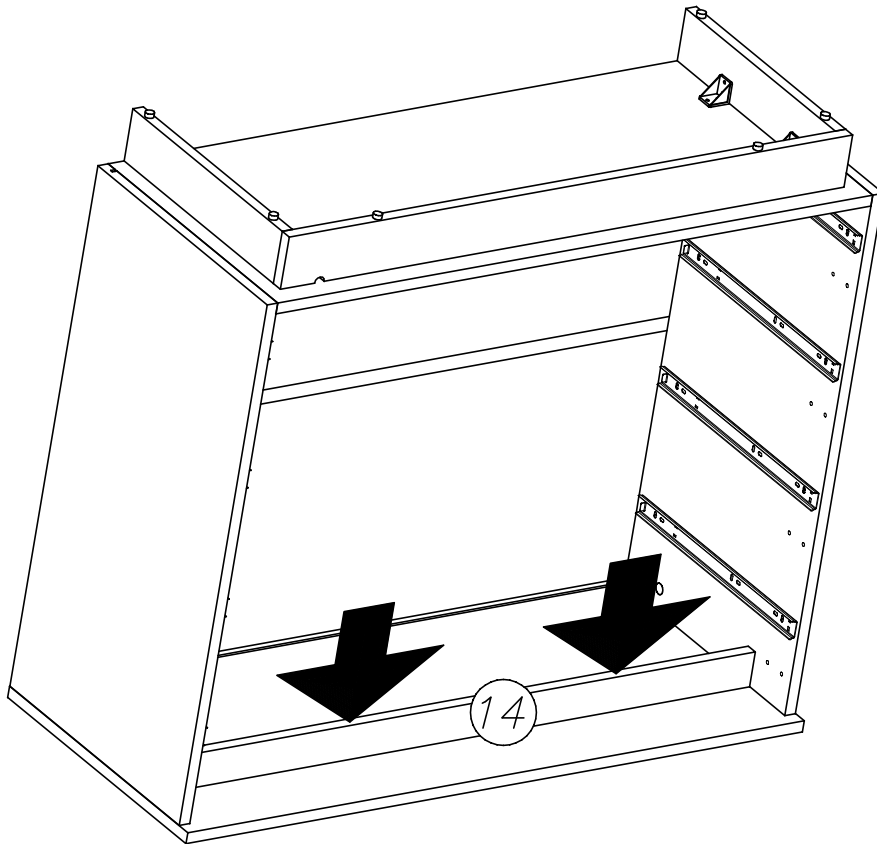
X



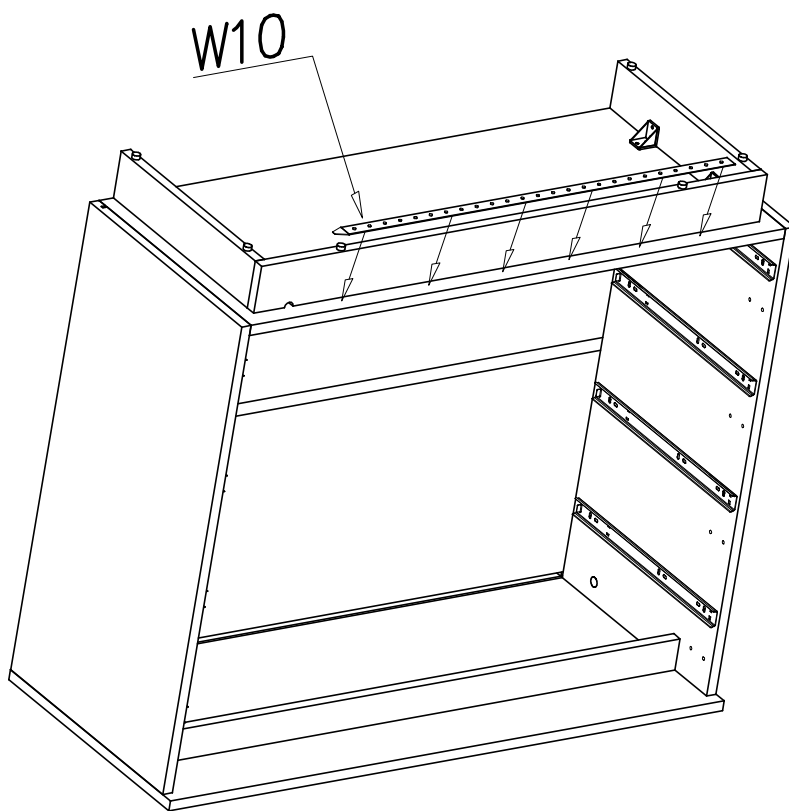
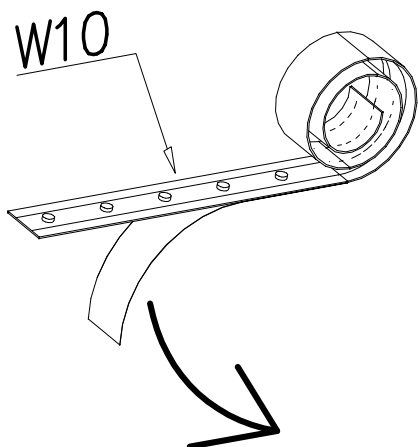
XI



XII

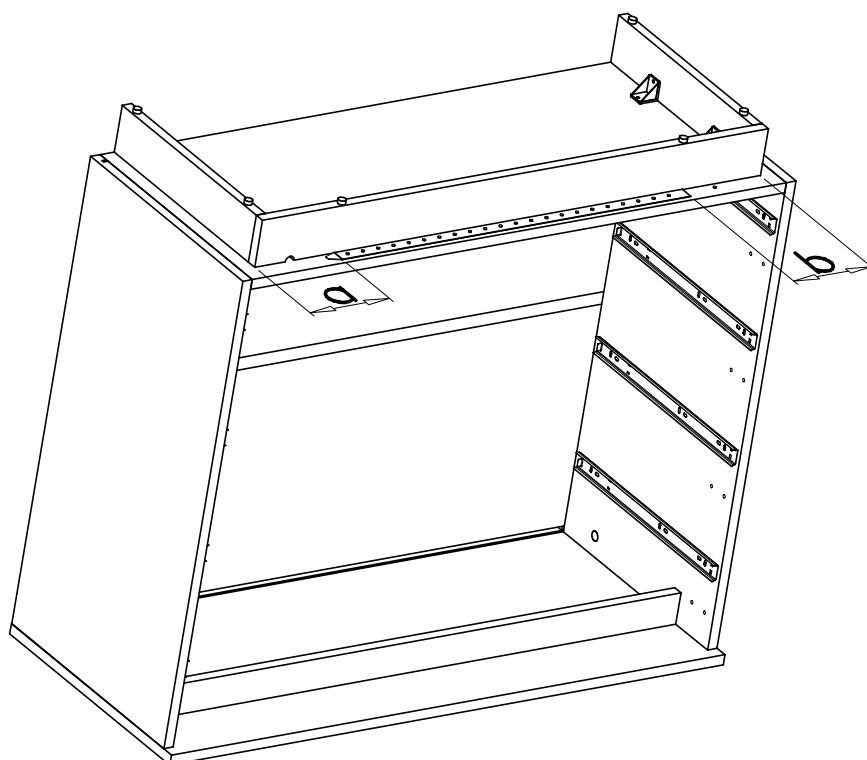


XIII



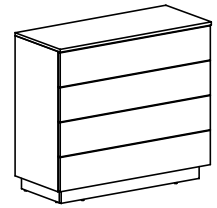
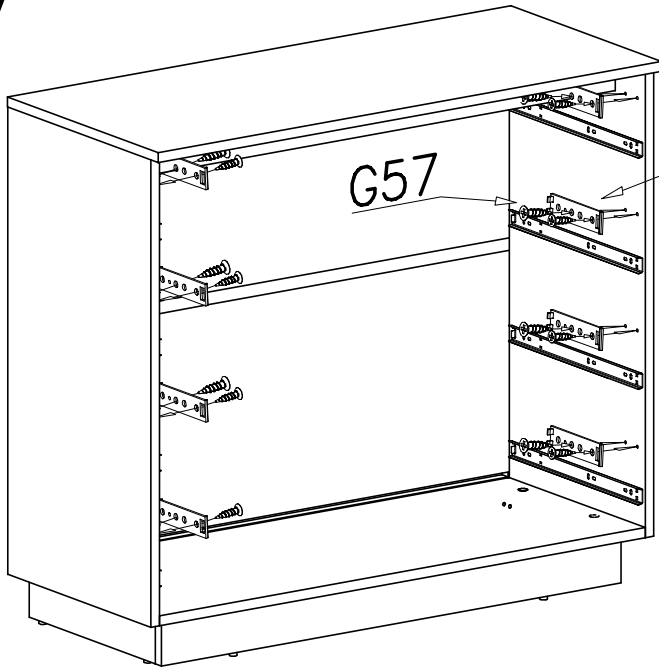
XIV

$a=b$

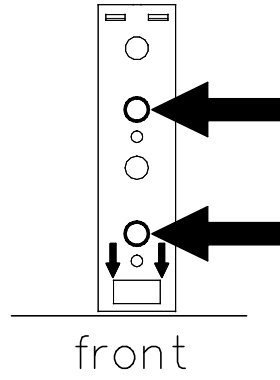


XV

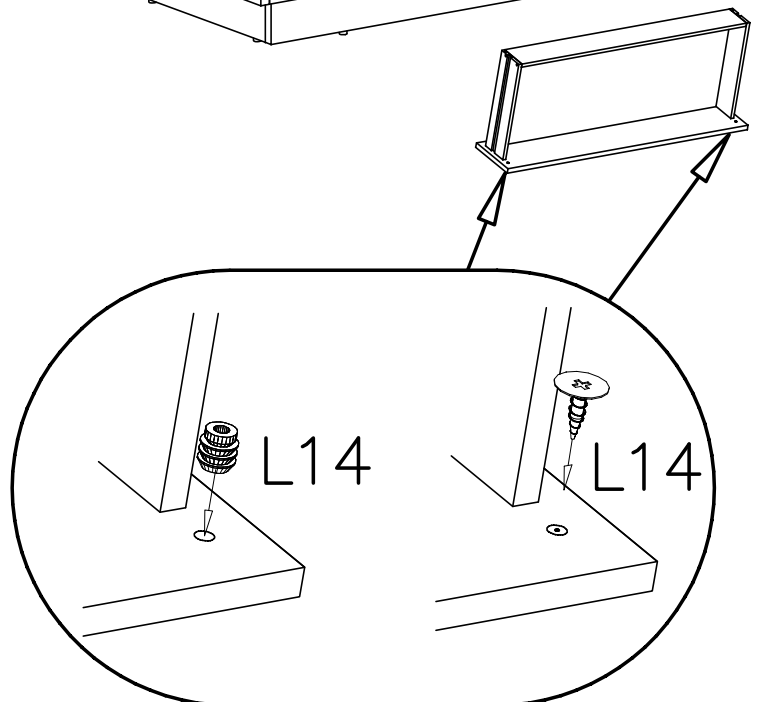
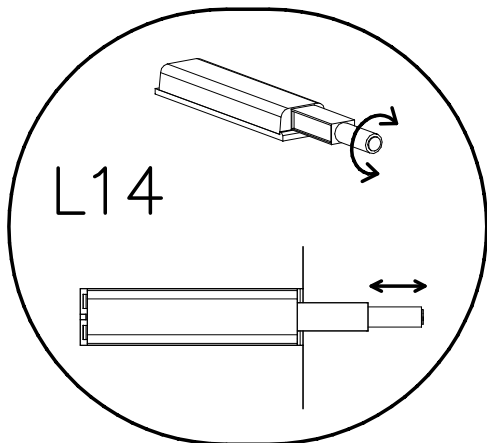
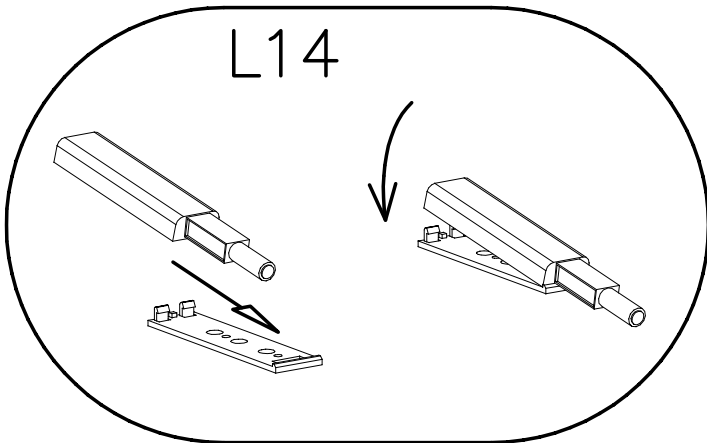
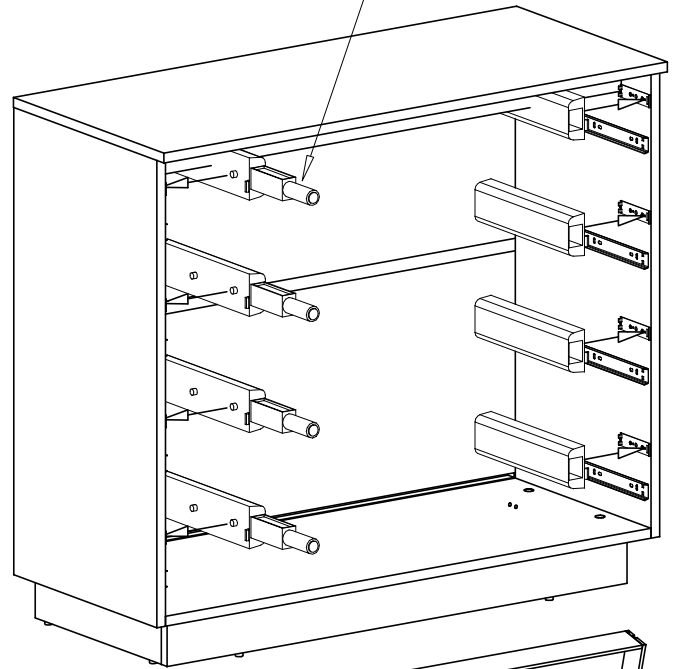
OPCJA B



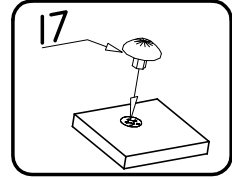
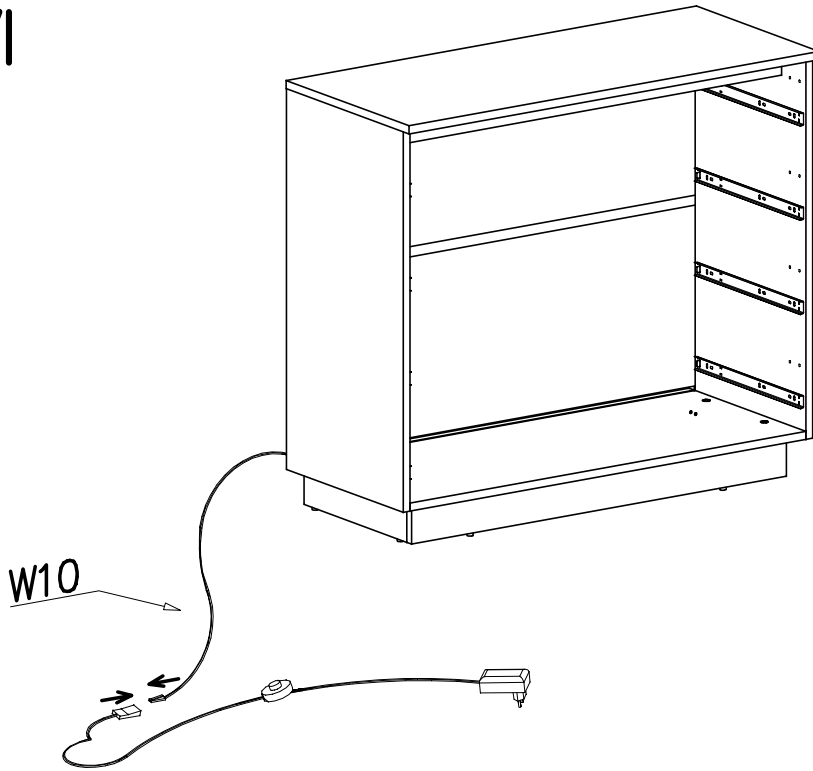
PUSH



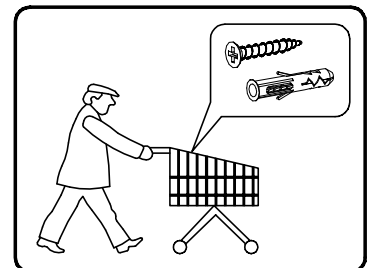
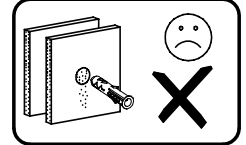
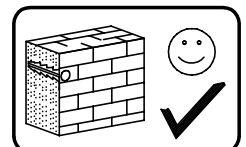
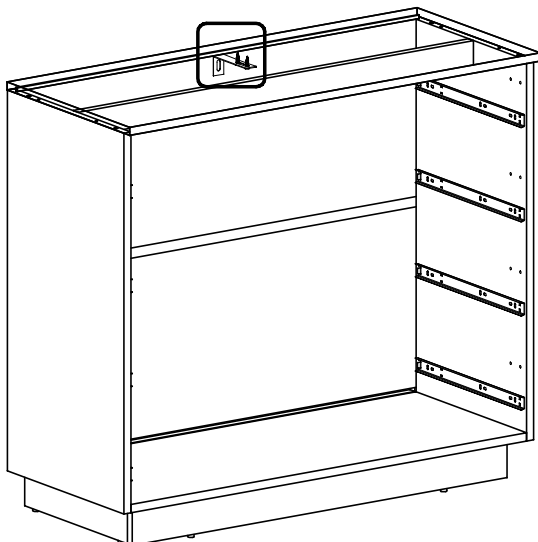
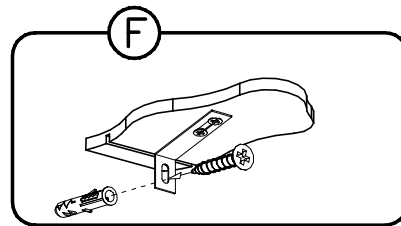
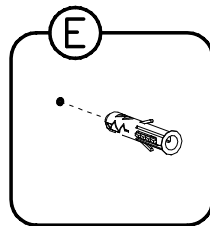
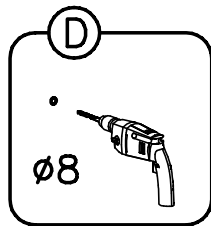
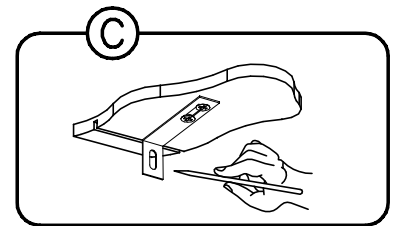
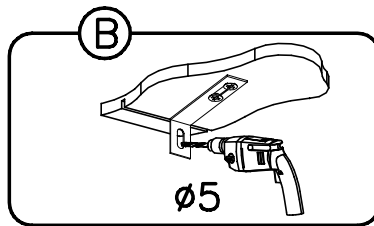
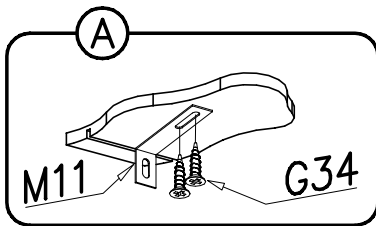
L14



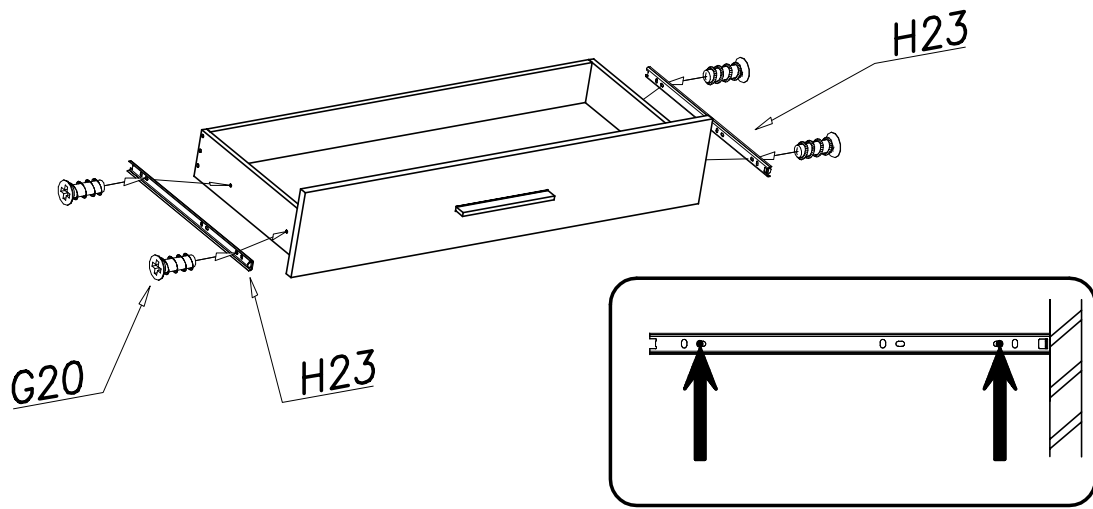
XVI



XVII



XVIII



XIX

