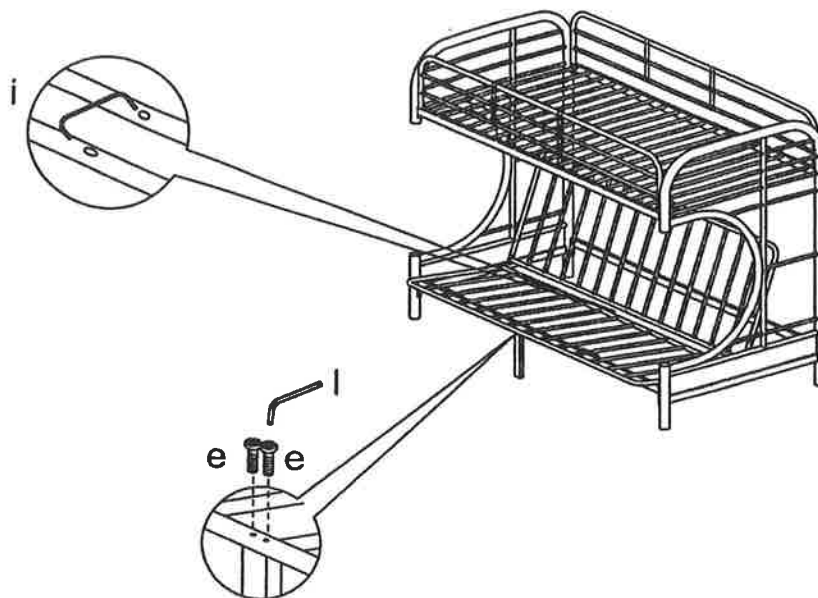


NOTE: THIS ITEM NOT RECOMMENDED FOR COMMERCIAL USE
KEEP THIS DOCUMENT FOR REFERENCE IN CASE PARTS ARE NEEDED
DO NOT TIGHTEN SCREWS UNTIL COMPLETELY ASSEMBLED!

STEP 4



WARNING

To help prevent serious or fatal injuries from entrapment or falls.

- Never allow a child under 6 years on upperbunk .
- Use only mattress that is 74"-75" long and 38-1/2" wide on upper bunk.
- Ensure thickness of mattress and foundation combined does not exceed 6" and that mattress surface is at least 5" below upper edge of guardrails.
- Use guardrails on both side of upper bunk.
- Prohibit horseplay on or under bed(s).
- Prohibit more than two persons on upperbunk.
- Use the ladder for entering and leaving upper bunk.
- Strangulation Hazard-Never attach or hang items to any part of the bunkbed that are not designed for use with the bed; for example, but not limited to, hooks belts and jump ropes.

DO NOT REMOVE THIS LABEL

ASSEMBLY INSTRUCTION

NOTE: THIS ITEM NOT RECOMMENDED FOR COMMERCIAL USE
 KEEP THIS DOCUMENT FOR REFERENCE IN CASE PARTS ARE NEEDED
 DO NOT TIGHTEN SCREWS UNTIL COMPLETELY ASSEMBLED!

IMPORTANT

FOR SERVICE PURPOSE, PLEASE DO NOT REMOVE THE CUSTOMER SERVICE CODE LABEL ON THE MERCHANDISE. IT IS ON THE UNDERSIDE OF THE BED.

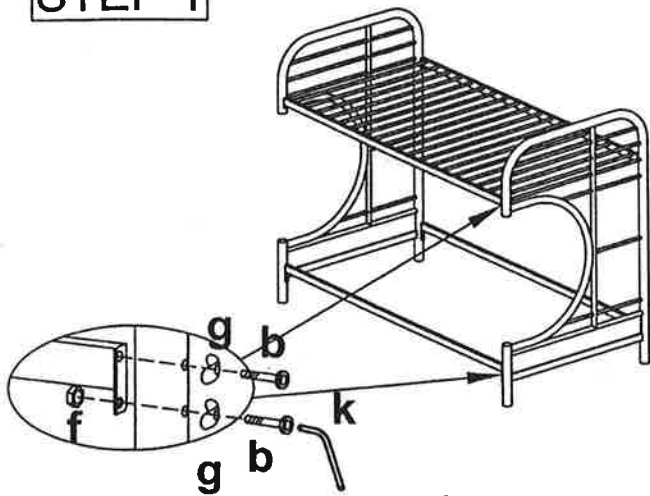
TWIN/FUTON BUNK BED

Attention: Do not tighten all bolts until the bed is assembled completely.

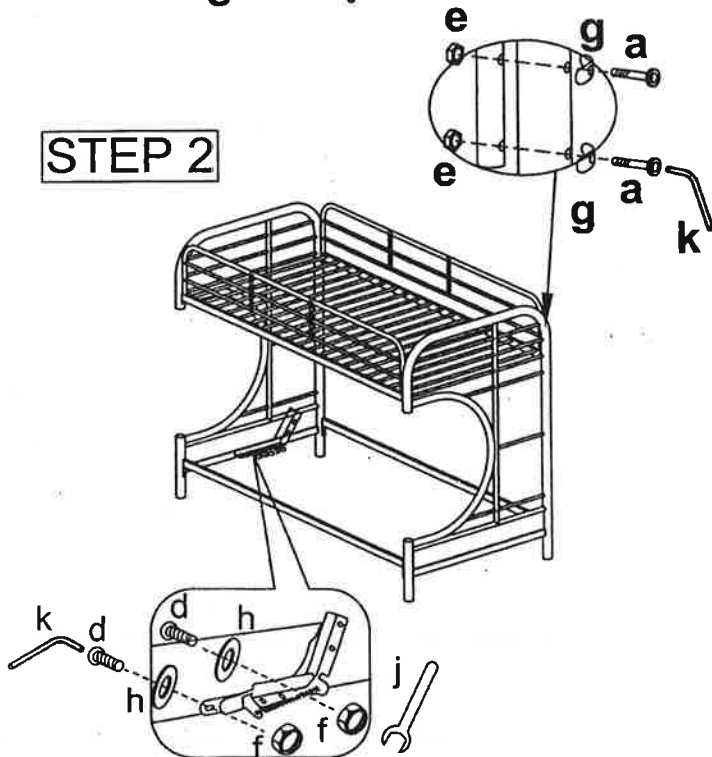
Hardware pack attached in the package in red plastic bag.

Assembly Instructions

STEP 1



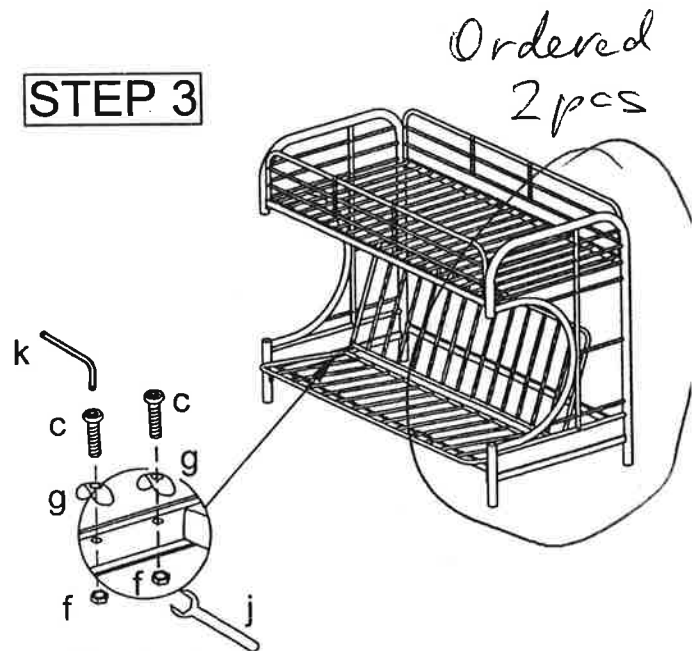
STEP 2



PARTS LIST

a		Hex-Head m8x80 Bolts	8 pcs
b		Hex-Head m8x60 Bolts	16 pcs
c		Hex-Head m8x40 Bolts	8 pcs
d		Hex-Head m8x30 Bolts	4 pcs
e		Hex-Head m6x45 Bolts	2 pcs
f		m8 Nuts	28 pcs
g		m8 Washer	32 pcs
h		Flat Washer	4 pcs
i		Hook	1 pc
j		m8 Open Wrench	1 pc
k		m8 Allen Wrench	1 pc
l		m6 Allen Wrench	1 pc

STEP 3



HARDWARE PACK ATTACHED IN THE PACKAGE IN RED PLASTIC BAG