

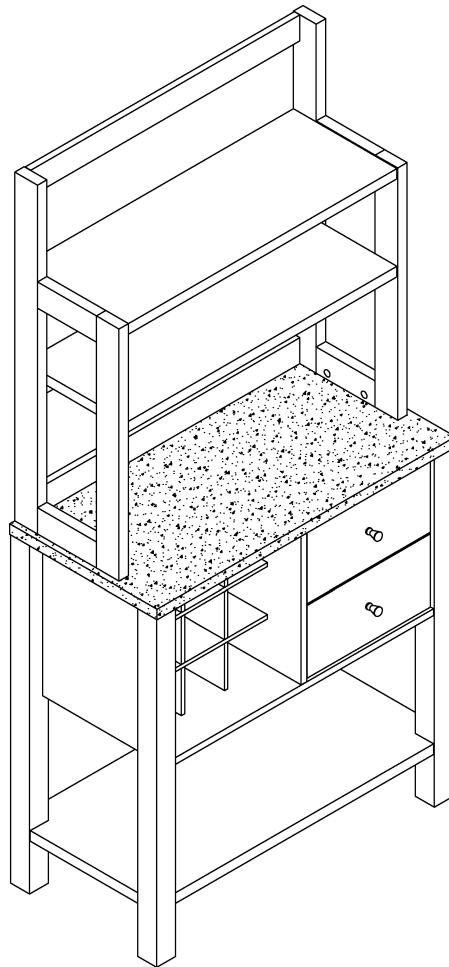
# ASSEMBLY INSTRUCTION

## **PLEASE READ BEFORE ASSEMBLING!**

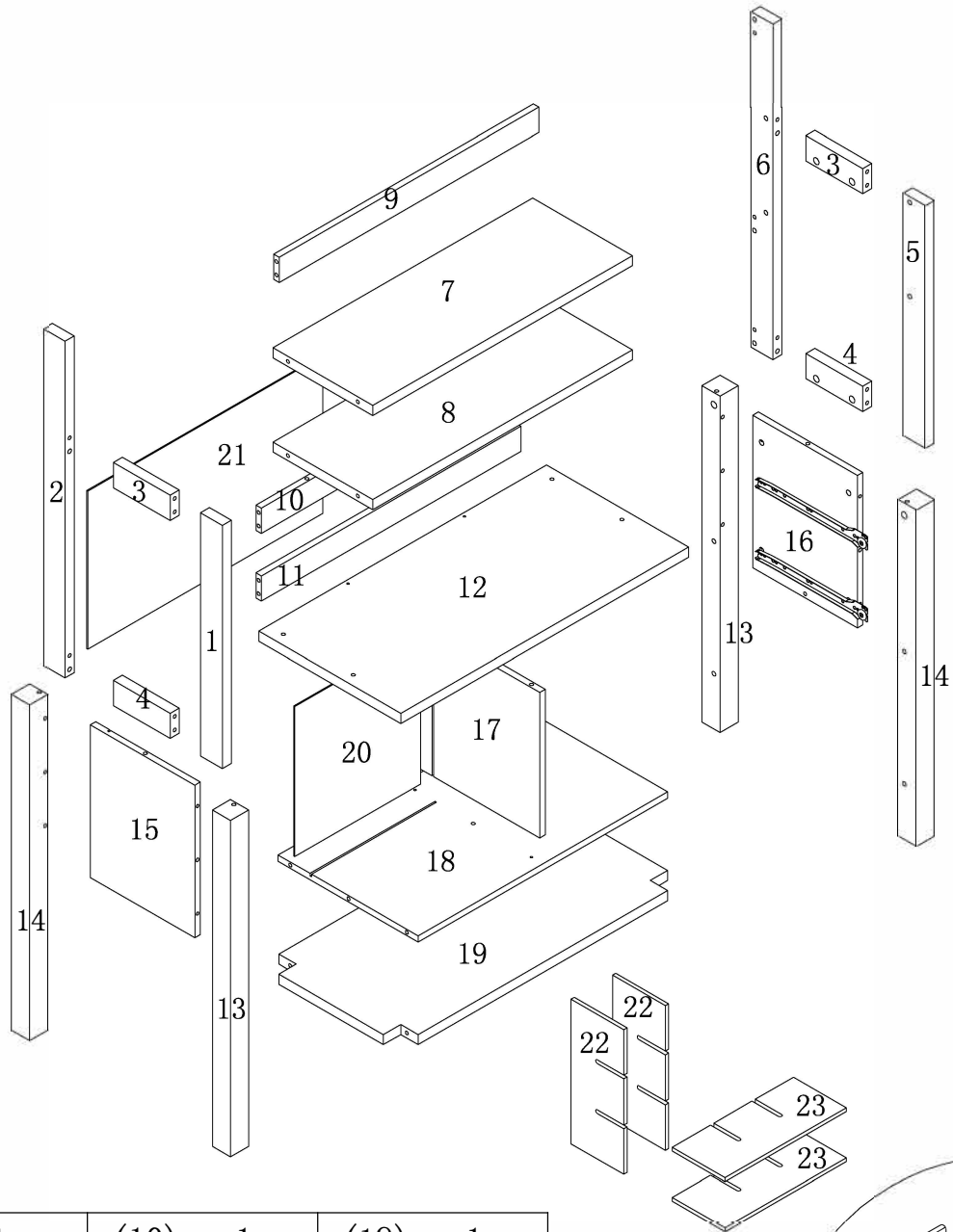
Tip #1: Make sure you've taken all the pieces and hardware out of its packaging before discarding the box.

Tip #2: Using page 2 and/or page 3 of instruction manual make sure all pieces and hardware are accounted for.

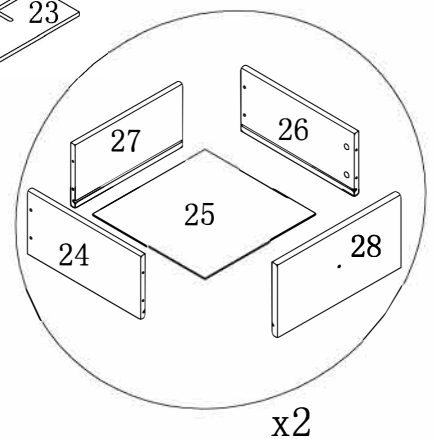
Tip #3: Read manual before assembling, it helps!



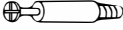

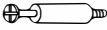













# PARTS IDENTIFICATION



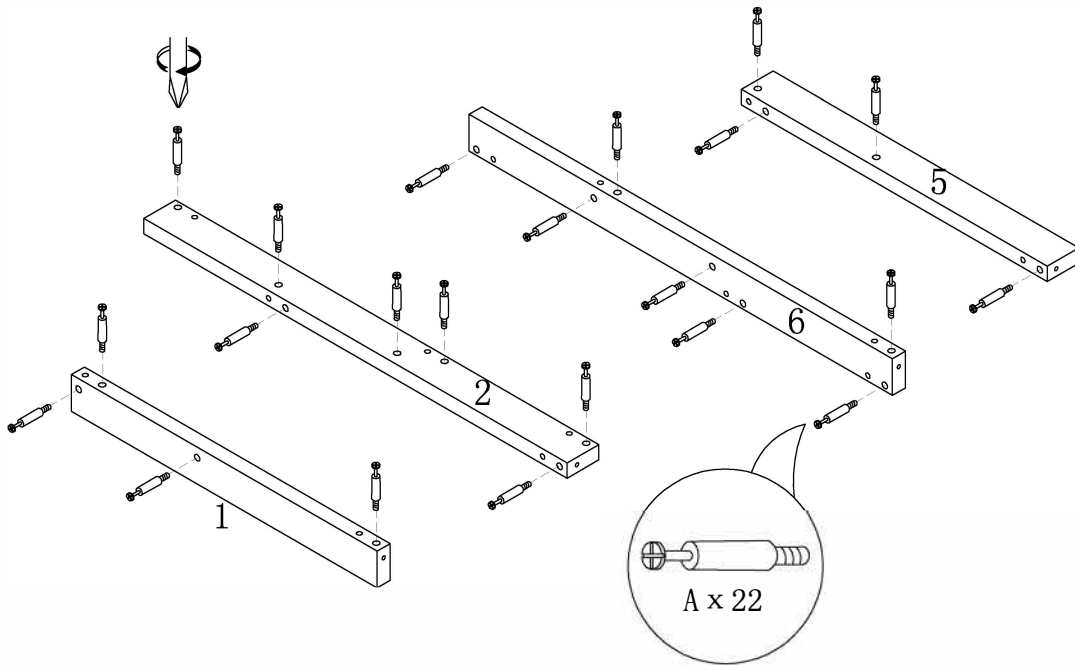
(1)	1pc	(10)	1pc	(19)	1pc
(2)	1pc	(11)	1pc	(20)	1pc
(3)	2pcs	(12)	1pc	(21)	1pc
(4)	2pcs	(13)	2pcs	(22)	2pcs
(5)	1pc	(14)	2pcs	(23)	2pcs
(6)	1pc	(15)	1pc	(24)	2pcs
(7)	1pc	(16)	1pc	(25)	2pcs
(8)	1pc	(17)	1pc	(26)	2pcs
(9)	1pc	(18)	1pc	(27)	2pcs
				(28)	2pcs



# HARDWARE IDENTIFICATION

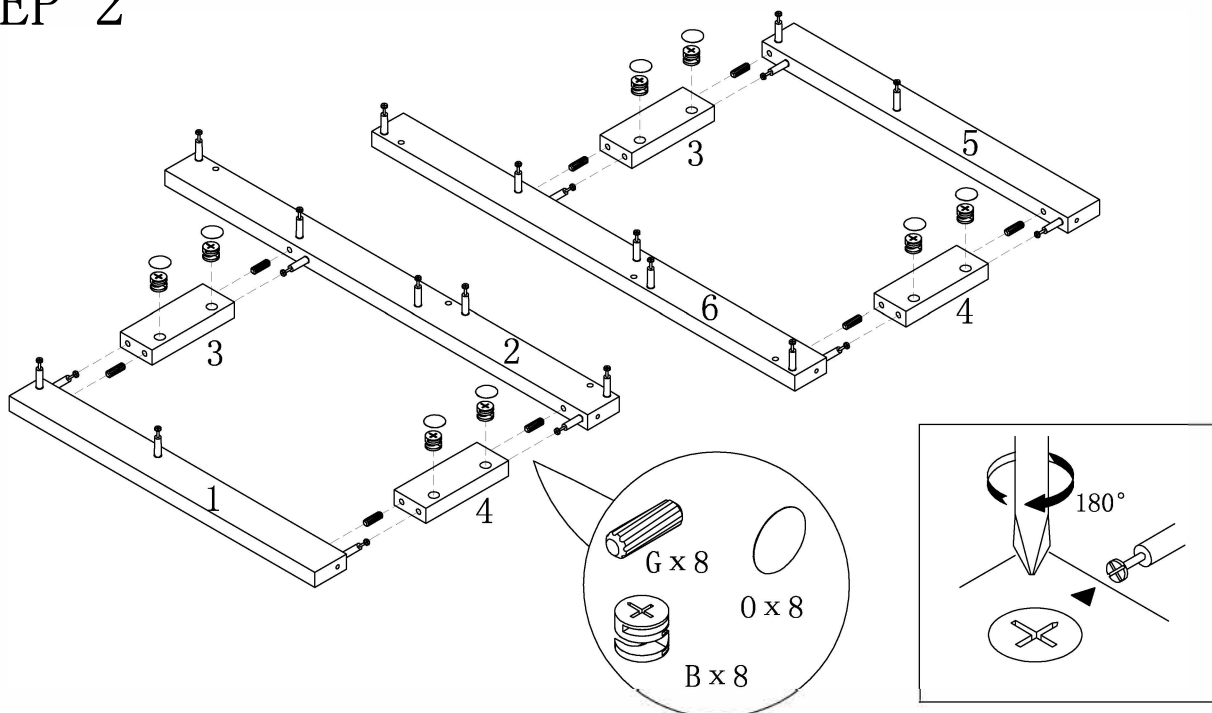
A		L29	37pcs
B		Ø15	37pcs
C		L24	8pcs
D		Ø12	8pcs
E		L20	8pcs
F		Ø12	8pcs
G		Ø8x25	28pcs
H		Ø4x30	12pcs
I		Ø7x48	4pcs
J		Ø8xØ16x2	4pcs
K			2pcs
L		M4x22 BK	2pcs
M			16pcs
N		Ø16	4pcs
O		Ø20	19pcs
P		Glue: For securing please apply to wood dowel first before inserting into panel	1pc

# ASSEMBLY INSTRUCTION

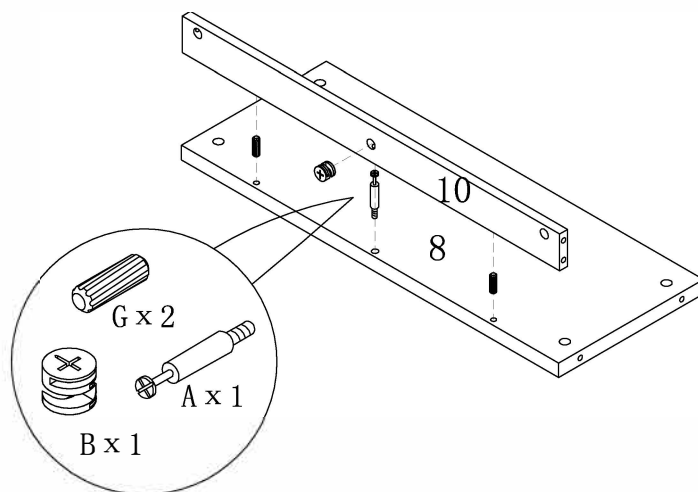


STEP 1

STEP 2

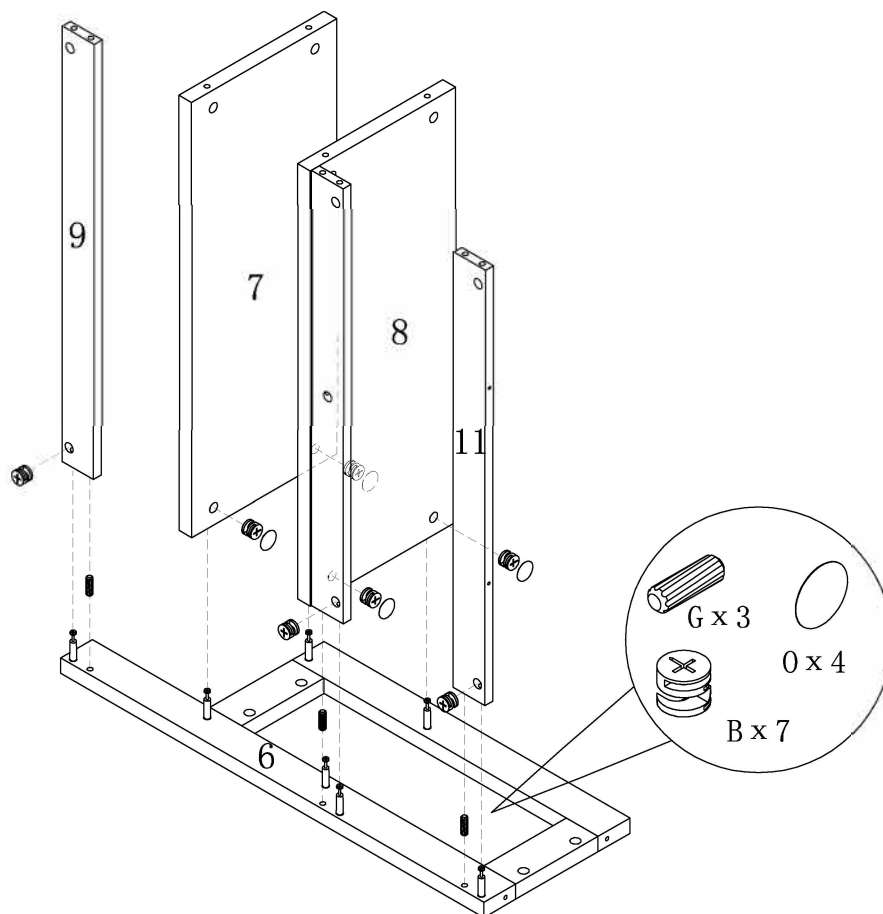


# ASSEMBLY INSTRUCTION

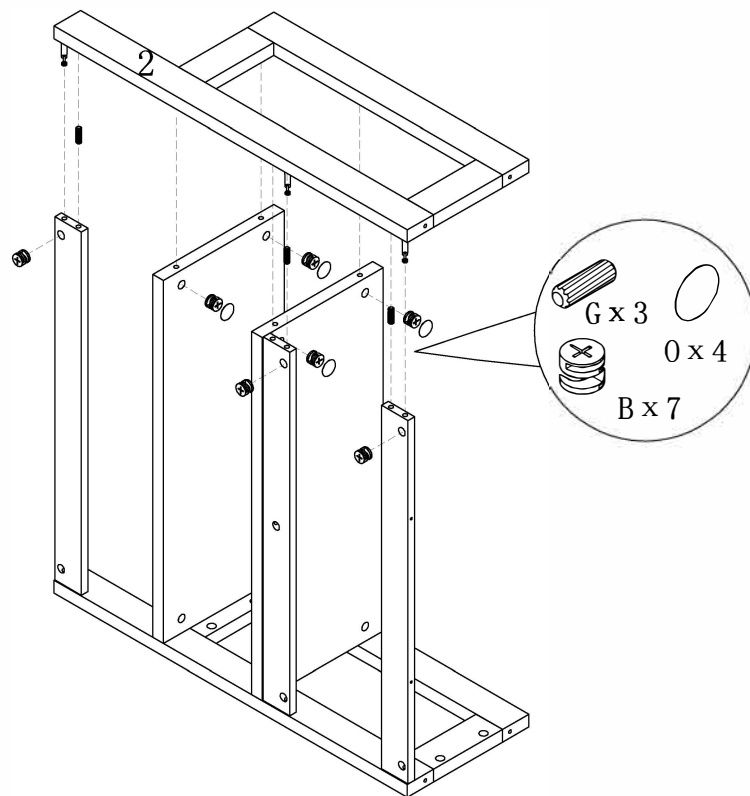


STEP 3

STEP 4

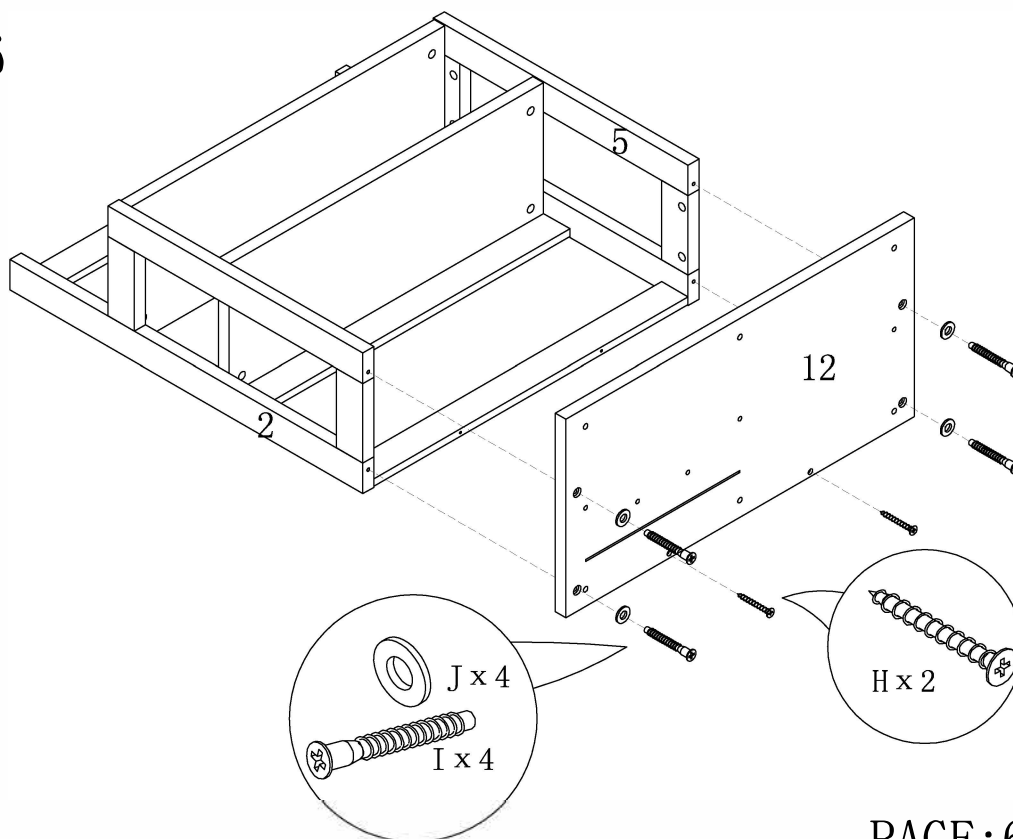


# ASSEMBLY INSTRUCTION

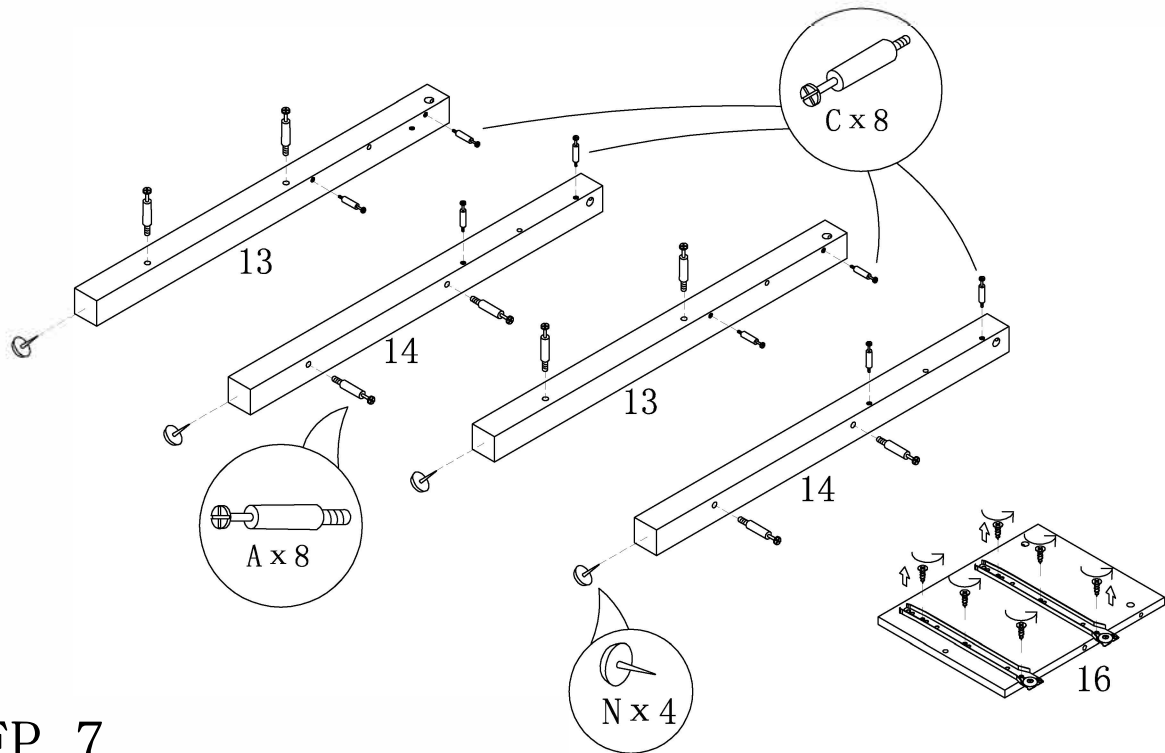


STEP 5

STEP 6

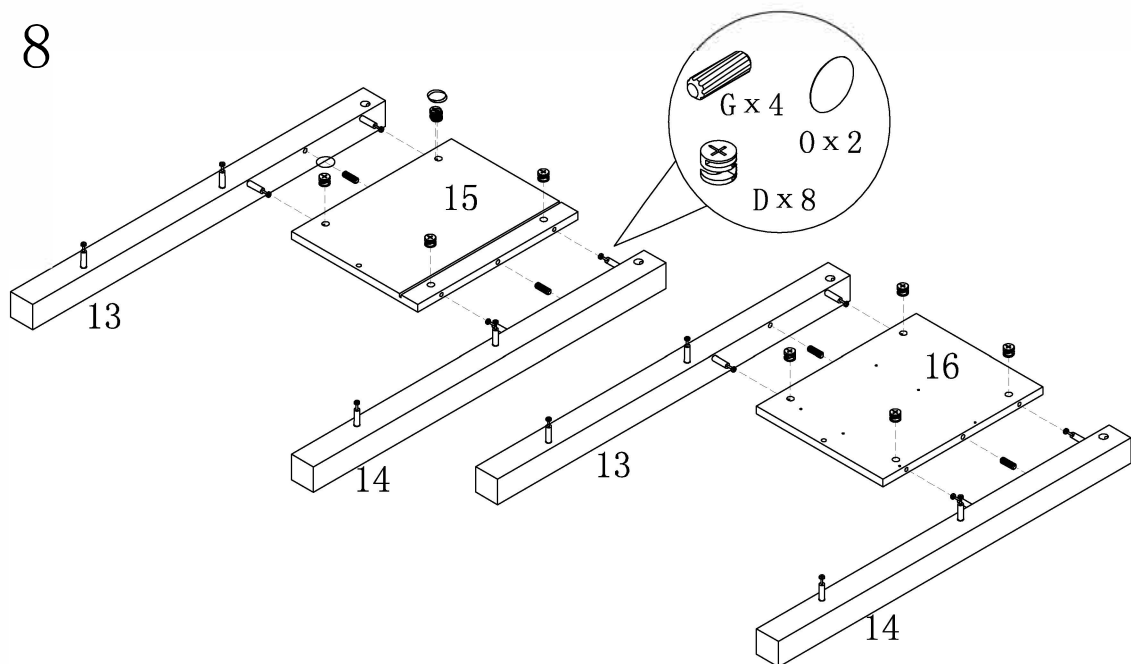


# ASSEMBLY INSTRUCTION

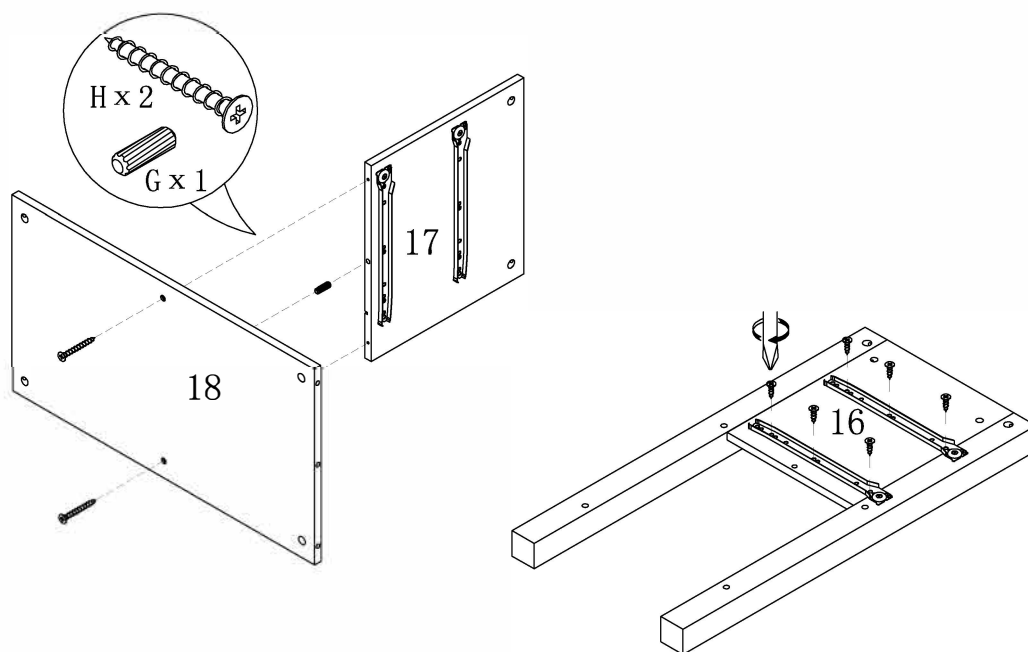


STEP 7

STEP 8

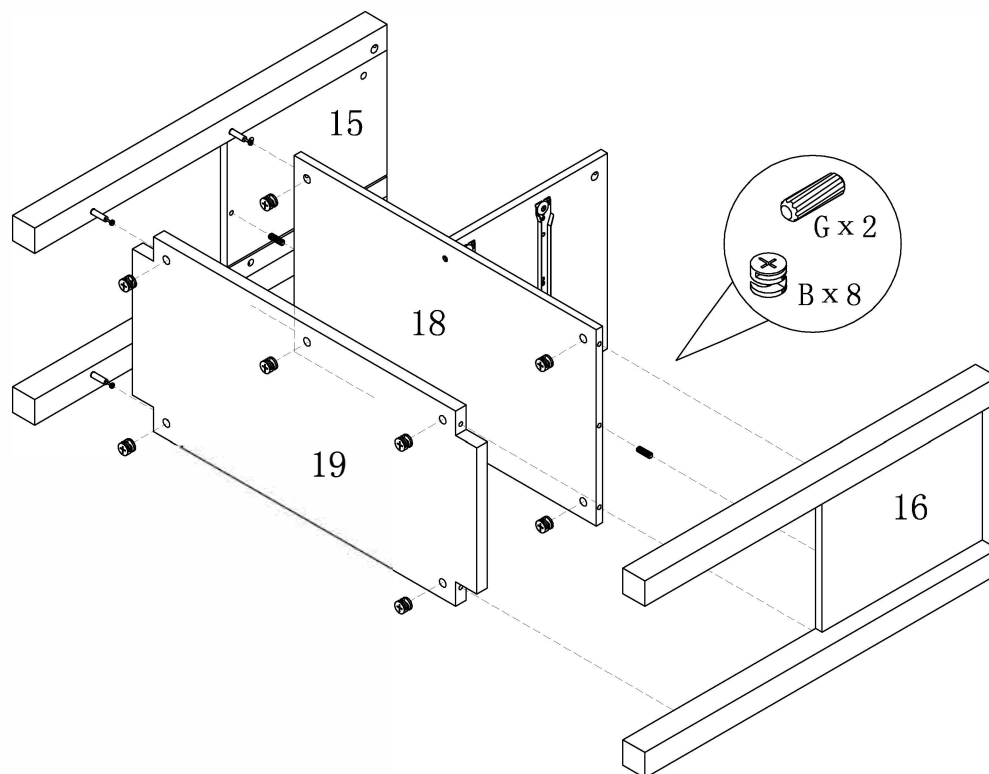


# ASSEMBLY INSTRUCTION

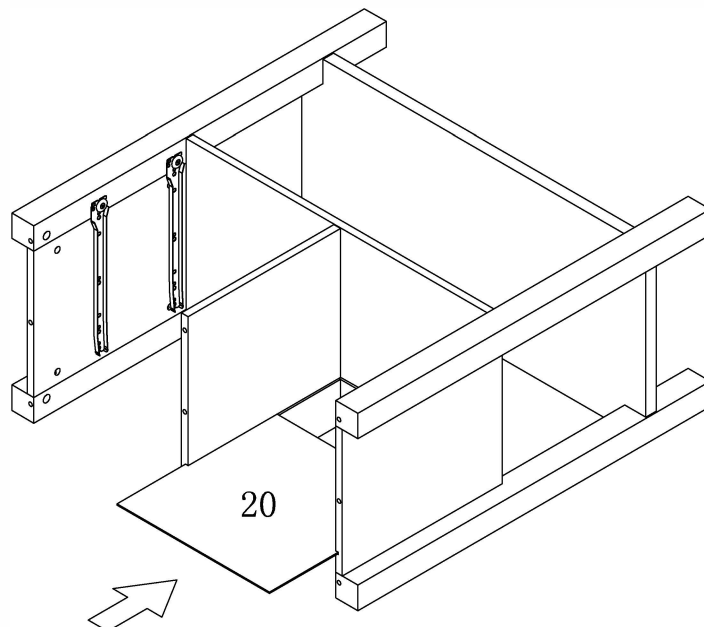


STEP 9

STEP 10

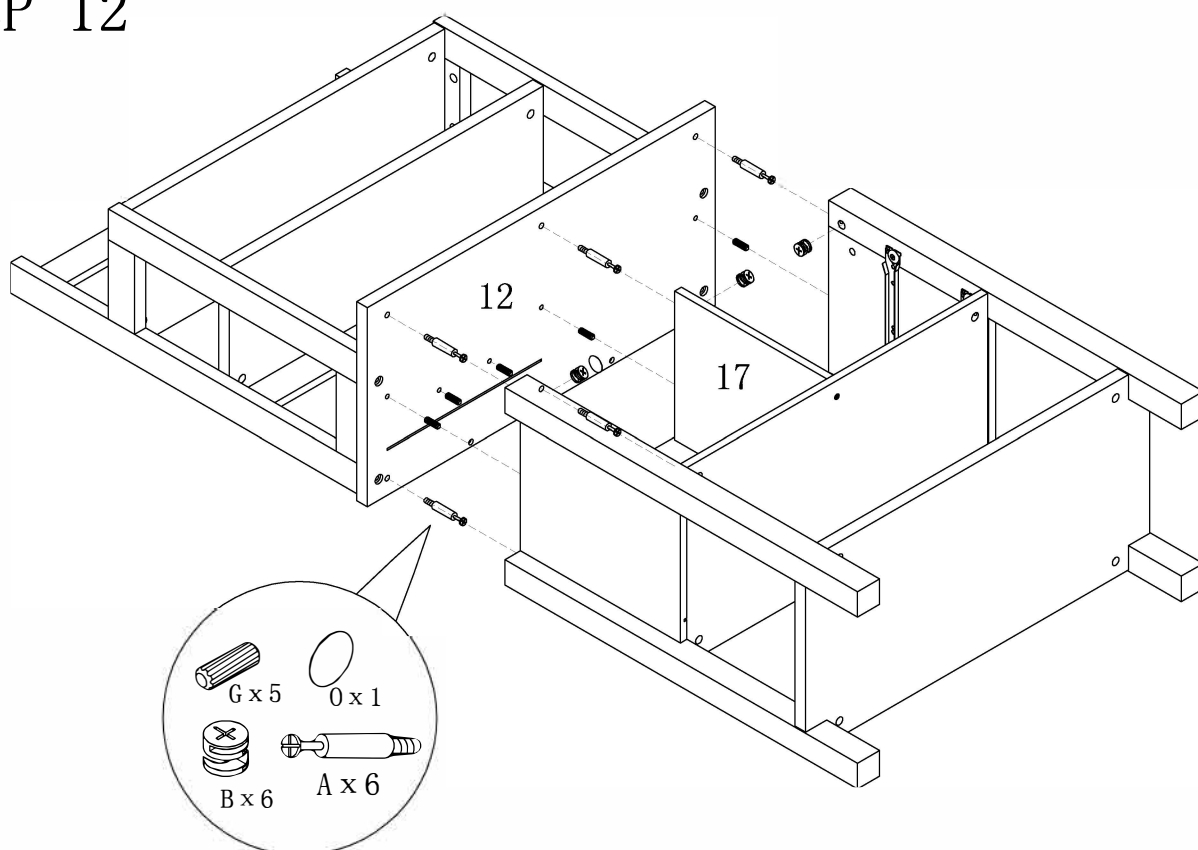


# ASSEMBLY INSTRUCTION

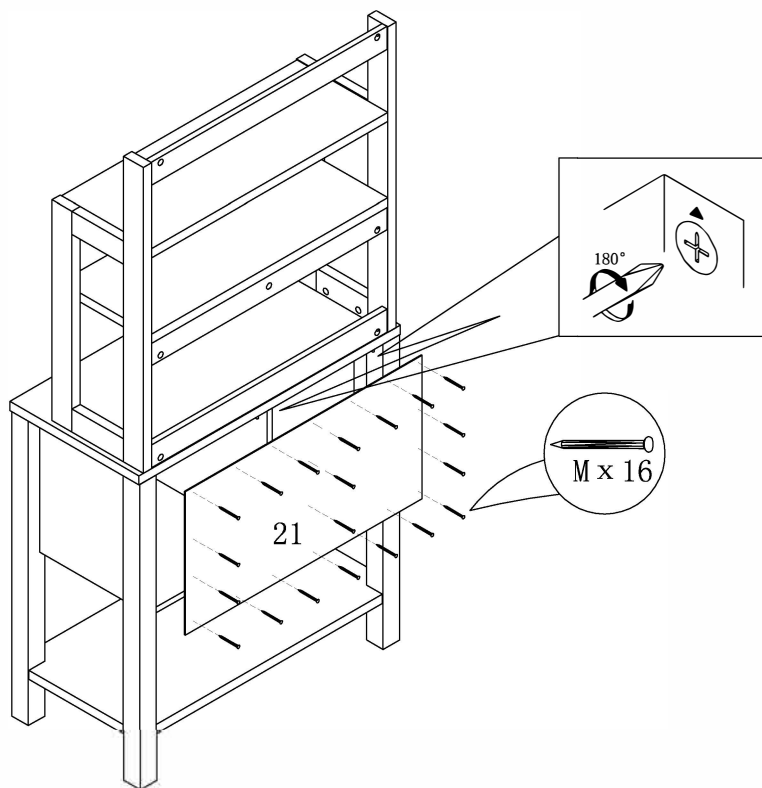


STEP 11

STEP 12

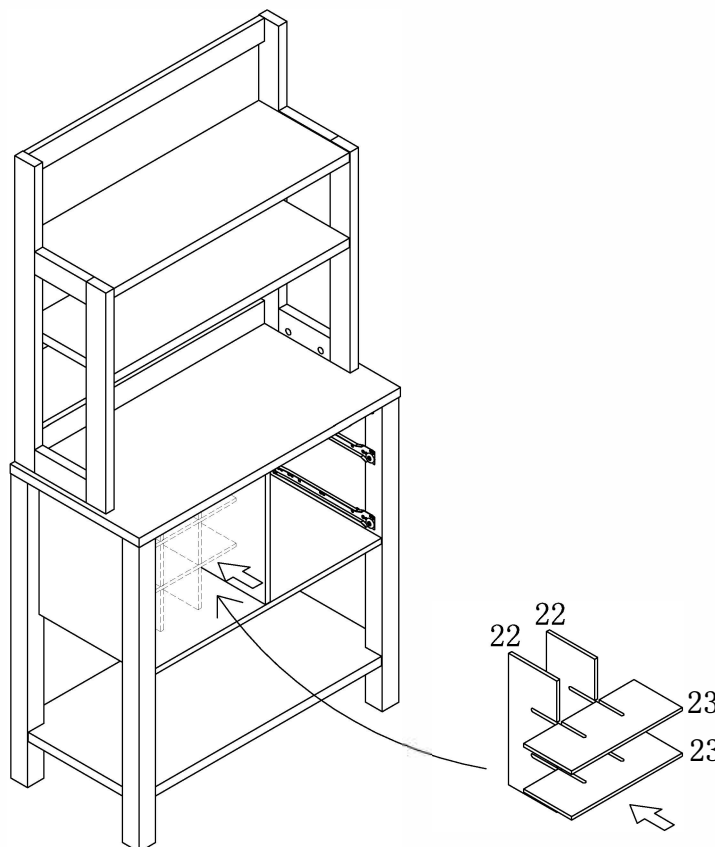


# ASSEMBLY INSTRUCTION

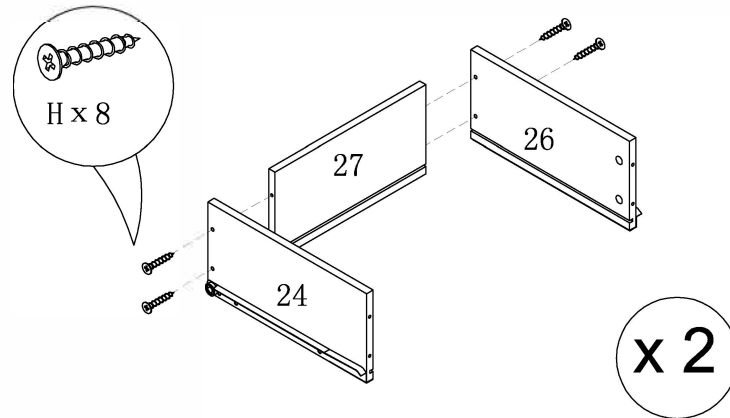


STEP 13

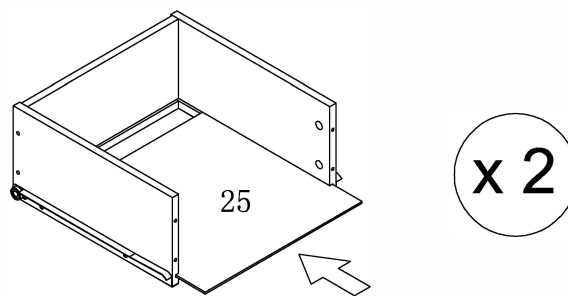
STEP 14



# ASSEMBLY INSTRUCTION

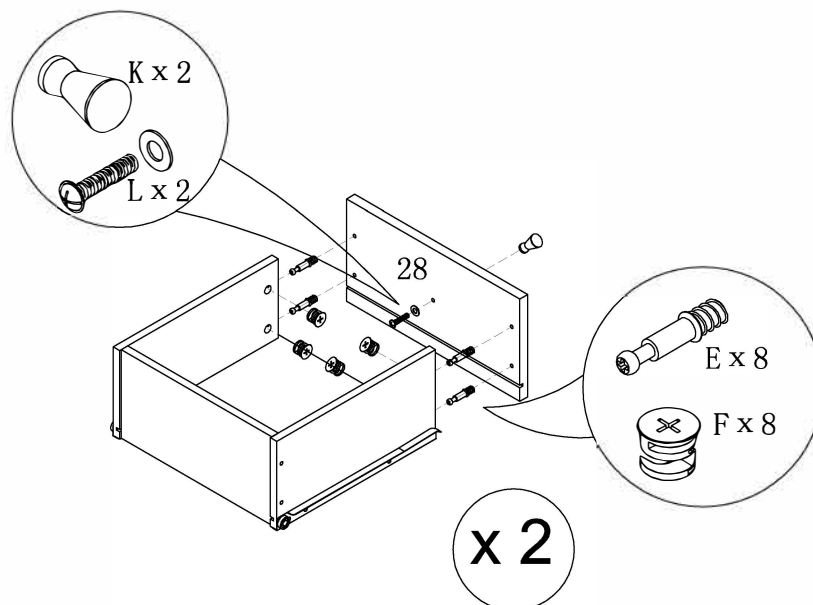


STEP 15



STEP 16

STEP 17



# ASSEMBLY INSTRUCTION

---

## STEP 18

