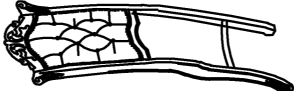


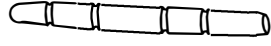
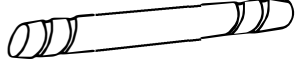


ASSEMBLY INSTRUCTION

COMPONENT PARTS		
"NO"	DESCRIPTION	QTY (PCS)
①	Chair Back 	1
②	Seat Frame 	1
③	Front Legs 	2
④	Stretcher (front) 	2
⑤	Stretcher (middle) 	1

HARDWARE REQUIRED

Ⓐ		Middle Bolt	ϕ5/16"X1-3/4"	4	PCS
Ⓑ		Lock Washer	ϕ5/16"X12mm	9	PCS
Ⓒ		Flat Washer	ϕ5/16X22mm	9	PCS
Ⓓ		Long Bolt	ϕ5/16"X3-1/2"	4	PCS
Ⓔ		Short Bolt	ϕ5/16"X1-3/4"	1	PCS
Ⓕ		Allen Wrench	5mm	1	PCS
Ⓖ		Wood Screw	ϕ8X1-1/2"	6	PCS

