

PEXMOR Poolside Basketball System Owner's Manual



WARNING:
IMPROPER INSTALLATION
OR SWINGING ON THE RING
MAY CAUSE SERIOUS INJURY
OR DEATH

Notice to assemblers:

All the basketball systems, including those used for displays, must be assembled and ballasted according to instructions. Failure to follow instruction could result in serious injury.

Please read all warnings and cautions. It is recommended to supervise children as they play with this product. This product is to be assembled by adults only!

We appreciate your purchasing one of our many fine products. We are assure that you will be very satisfied with your selection.

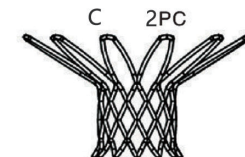
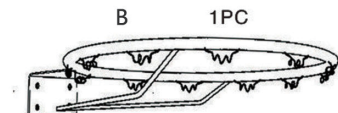
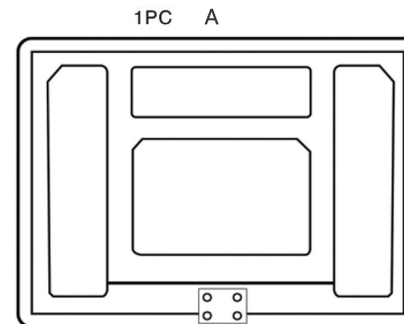
◆Part List :

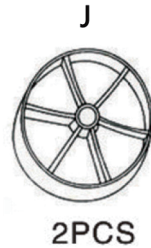
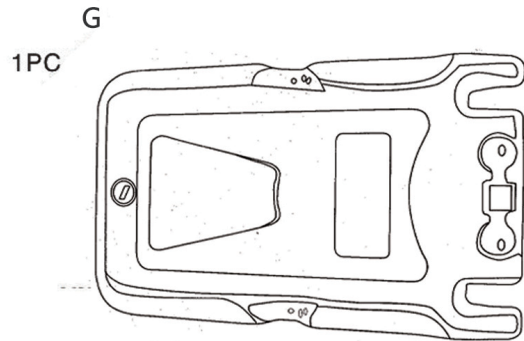
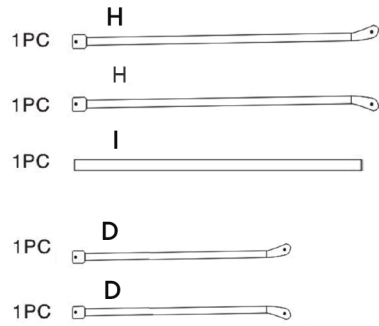
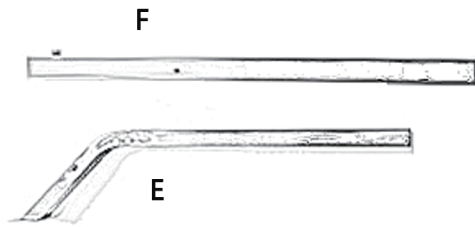
ID	Description	Qty	✓
A	Backboard	1	<input type="checkbox"/>
B	Rim	1	<input type="checkbox"/>
C	Net	2	<input type="checkbox"/>
D	Backboard Bracket	2	<input type="checkbox"/>
E	Top Pole	1	<input type="checkbox"/>
F	Bottom Pole	1	<input type="checkbox"/>
G	Base	1	<input type="checkbox"/>
H	Lower Strut	2	<input type="checkbox"/>
I	Wheel Axle	1	<input type="checkbox"/>
J	Wheel	2	<input type="checkbox"/>

◆Hardware List :

ID	Description	Qty	✓
a	Bolt sets to fasten backboard bracket to backboard	2	<input type="checkbox"/>
b	Bolt sets to fasten top pole section and rim to backboard	4	<input type="checkbox"/>
c	Bolt sets to fasten backboard bracket to top pole section	1	<input type="checkbox"/>
d	Adjustable height screw	1	<input type="checkbox"/>
e	Bolt sets to fasten lower brace to bottom pole	1	<input type="checkbox"/>
f	Bolt sets to fasten lower brace assembly to base	2	<input type="checkbox"/>

◆PARTS IDENTIFIER :





◆Installation Steps :



Two adults required to complete assembly

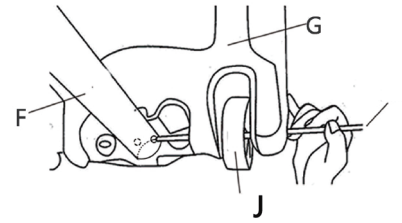


Image1

1.Insert the Wheel Axle (K) into Wheel (L), Base(G)and end of Bottom Pole (F)

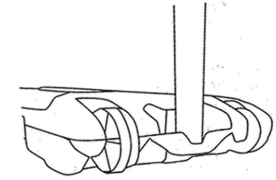


Image2

2.as shown

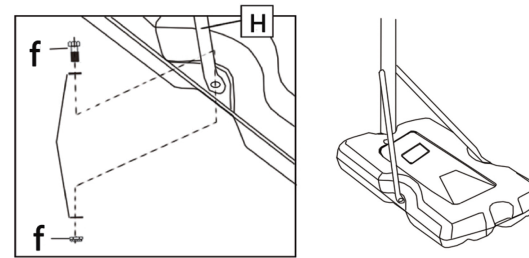


Image3

Image4

3.Fasten Lower Struts(H) to the Base (G) with bolt set (f)

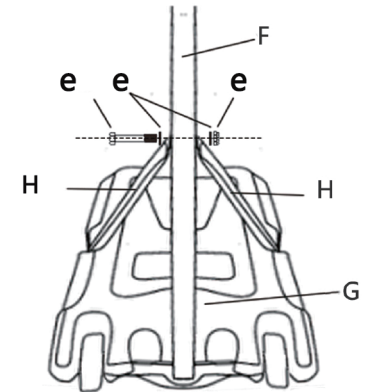


Image5

4.Fasten Lower Struts(H) to the bottom pole section (F) with bolt set (e)

◆HARDWARE IDENTIFIER :

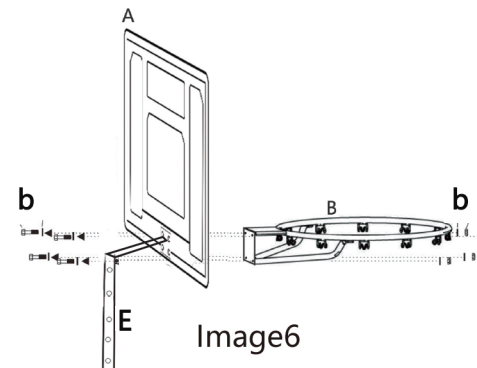
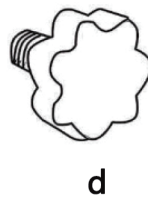
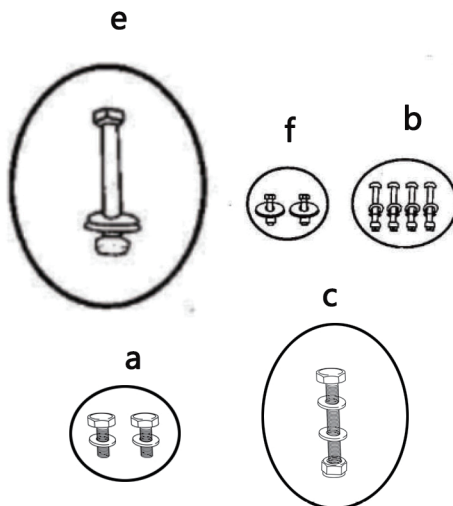


Image6

5.Fasten the Rim (B) and Top Pole section (D) simultaneously to the bottom of backboard with bolt sets (a)

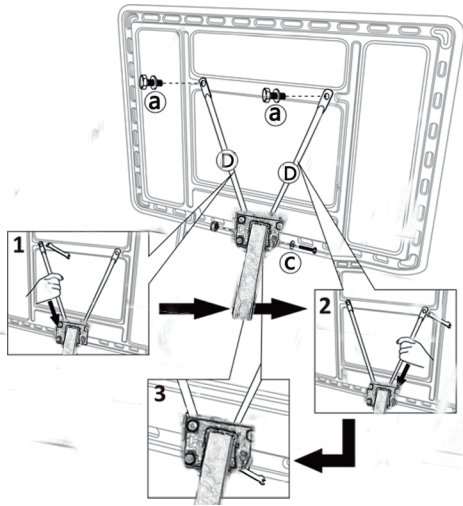


Image7

6. Fasten two Backboard Brackets to Backboard with bolts sets (a) , Fasten two Backboard Brackets to Top Pole section with bolts set(c)

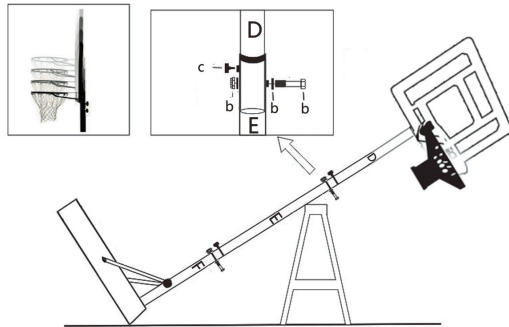


Image9

8.Slid the Top Pole section (E) with the completely assembled top into the Bottom Pole section (F) with Base until you reach the standard position

Note: The poles must be inserted into each other at least 11cm

Warning! Do not leave assembled unit unattended when empty. (May tip over)

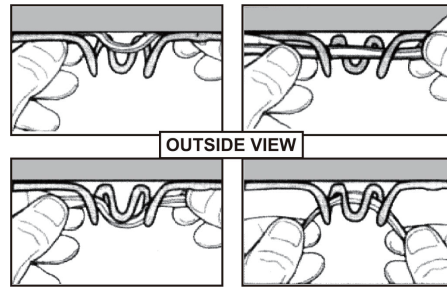


Image8

7.Install net (C) to the rim (B) as shown

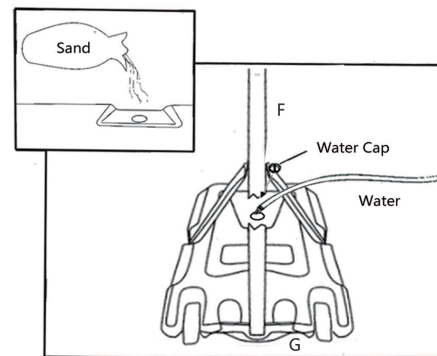


Image10

9.Filling the Base (G) with water or sand to keep steady

Assembly Instructions (text) :

Take the base, backboard, rim and other parts out of the box

Check with help from the parts list if all parts are present

Image 1 and 2 :

Insert the Wheel Axle (I) into Wheel (J), Base(G)and end of Bottom Pole (F) as shown

Image 3,4 and 5 :

Fasten Lower Struts(H) to the Base (G) with bolt set (f)

Fasten Lower Struts(H) to the bottom pole section (F) with bolt set (e)

Image 6:

Fasten the Rim (B) and Top Pole section (E) simultaneously to the bottom of backboard with bolt sets (b)

Bolts must be put into the holes from front backboard to back

Image 7 :

Fasten two Backboard Brackets to Backboard with bolts sets (a)

Fasten two Backboard Brackets to Top Pole section with bolts set(c)

Image 8 :

Install Net (C) to the Rim(B) as shown

Image 9:

Slid the Top Pole section (E) with the completely assembled top into the Bottom Pole section (F)with Base until you reach the standard position

Note: The poles must be inserted into each other at least 11cm

Warning! Do not leave assembled unit unattended when empty. (May tip over)

Image 10:

Filling the Base (G) with water or sand to keep steady

Securing Basketball set:

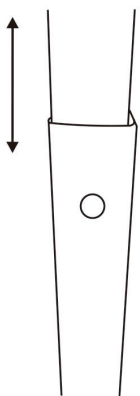
- Check if all bolts and nuts have been securely fastened.
- Place assembled unit to the desired location. Fill the tank with water or sand and put the tank cap(G) in place.

Important: It is not recommended to use the system outdoors in freezing/subzero conditions. We recommend during windy conditions to move unit to shelter.

Height adjustment of backboard:

- Unscrew the locking screws on the bottom pole section(F) and lift or lower the top pole section(E) until the required backboard height has been reached.
- Tighten the locking screws on the bottom pole section(F) to fix the top pole section(E) at it's position.

Note: The poles must be inserted into each other for **at least 11cm!**



Warranty:

- This warranty is in effect for one year after purchase. The foregoing warranties relate to the original purchaser only.
- In order to return an item to your local dealer, the item must be packed in its original box containing all parts, original documents and manuals. The item must be received clean by us, accompanied with a clear complaint description.
- This limited warranty is not valid if the product is used for commercial purposes, or if the damage is caused by an accident, consumer misuse, neglect or abuse, vandalism, improper use of chemicals, exposure to extreme weather conditions or negligence during set up or disassembly.

!!WARNING!!

FAILURE TO COMPLY WITH THESE WARNINGS COULD RESULT IN INJURY. FAILURE TO COMPLY COULD ALSO RESULT IN PROPERTY DAMAGE.

- Never hang from the rim or climb on the pole as injury or property damage could occur. For these reasons do not perform dunking type activities on this system as it is not designed for such use. Do not allow children to climb on the basketball system.
- Never leave the unit assembled without weight in the tank!
- Check the tank frequently for leaks or a loose cap. Slow leakage could cause the system to tip over unexpectedly and damage the floor if used inside.
- Further check before each use if all fittings and hardware are tight
- Climate, corrosion or misuse could result in system failure.
- This system is not intended for children 3 and under.
- All players must use sufficient guards when playing.
- To store the system: Drain the water from the tank and dismantle the system. Store in a dry ventilated place.
- If technical assistance is required, contact the manufacturer. *Most injuries are caused by misuse and/or failure to follow instructions. Use caution when using the system.*

POLE CARE AND SYSTEM MAINTENANCE:

The life of your basketball system depends on many variables. The climate, exposure to corrosives such as salt, pesticides or herbicides and excessive use or misuse can all contribute to pole failure, which may cause property damage or personal injury.

Check your basketball system frequently for loose hardware, excessive wear and signs of corrosion. For safety reasons and to prolong the life of your basketball system, you must take the following preventive measures:

- Check all nuts and bolts. If any are loose, tighten them.
- Check all parts for excessive wear and tear. If necessary, replace any parts that have been worn or damaged through usage. Contact our customer service department for replacement parts.
- Check all pole sections for visible rust, chipped or cracked paint. If either are present, do the following:
 1. Use an emery cloth to completely remove any rust or chipped paint.
 2. Clean the area with a damp cloth and allow it to dry.
 3. Apply two coats of a rust preventative, high gloss enamel to the area. Allow the paint to dry between two coats.