

**Multi-functional and professional mobile stand
For TV panels: 32"-70"**
Maximum load capacity: 110 lbs /50 kg
AV shelf max load: 10 lbs / 4.5kg
VESA: 200X200-600X400mm

WARNING!

Severe personal injury and property damage can result from improper installation or assembly. Read the following warning carefully before beginning.

- If you do not understand the instructions or have any concerns or questions, please contact a qualified local installer.
 - Do not install or assemble if the product or hardware is damaged or missing, if you require replacement parts, please contact your local distributor for assistance.
 - This product fits most 32"-70" LCD/plasma screen; maximum weight of LCD/plasma screen: 110 lbs/50kg ; AV shelf max load: 10 lbs/4.5kg.
 - Do not use this product for anything other than the original design.
 - This product contains moving parts, please use with caution.
 - The manufacturer disclaims any liability for the modifications, improper installation, or installation over the specified weight range. The manufacturer will not be liable for any damages arising out of the use of, or inability to use, the product.
- ▶ All images are for reference, to prevail in product.

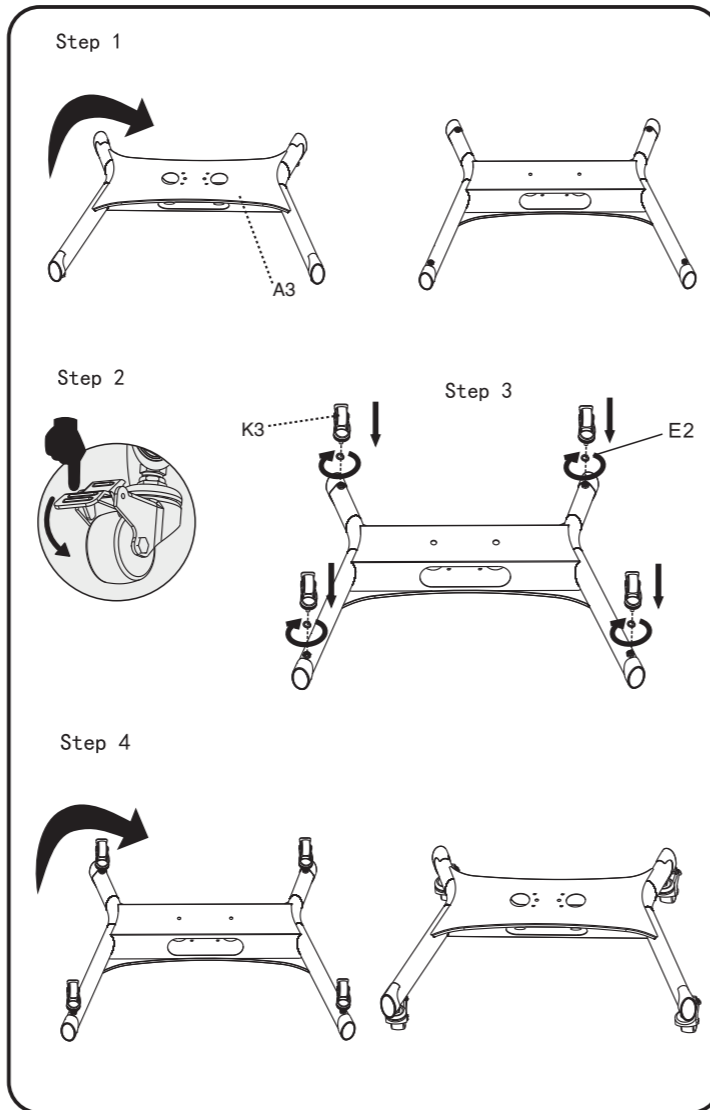
Manual

Tightening Direction	Loosening Direction	Phillips Screwdriver	Metre Rule	Adjustment	By Hand	Hex Wrench

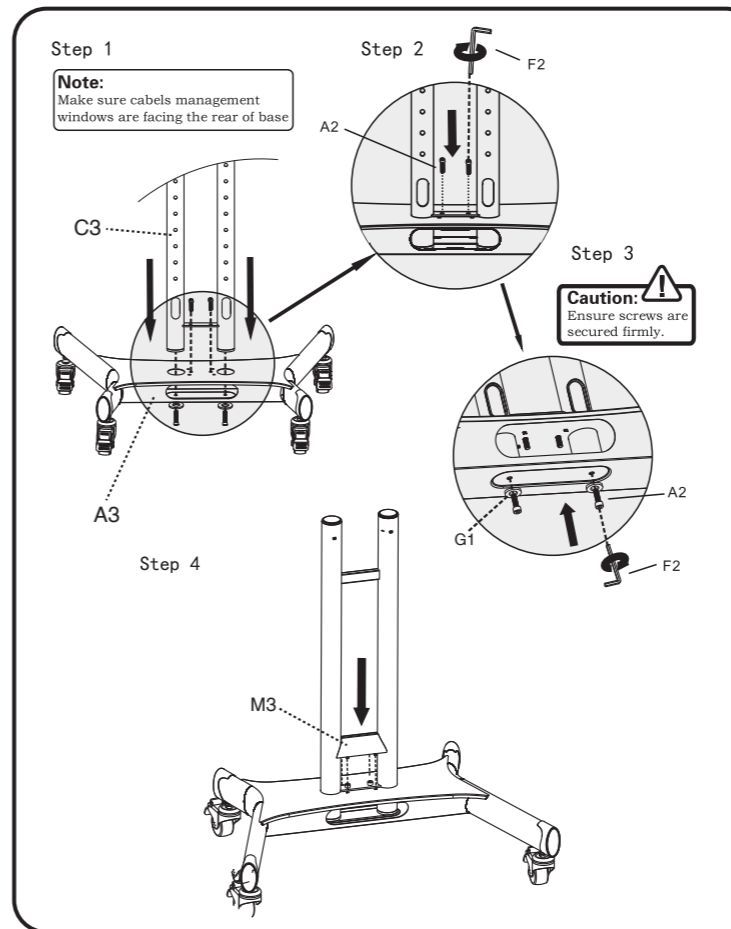
Parts List

1X A3			1X C3			1X D3			
1X B3									
1X E3	1X F3	1X G3	1X H3	1X I3	2X J3	4X K3			
A1 4X	B1 4X	C1 4X	D1 4X	E1 4X	F1 4X	G1 2X			
M4×12mm		M5×25mm	M6×25mm	M8×25mm	Φ16×Φ6.2×1.5mm	Φ19×8.5×H13mm Φ8×17×1.5mm			
A2 6X	B2 4X	C2 2X	D2 1X	E2 4X	F2 1X	G2 1X			
M8×26mm		M8×55mm	M5×12mm	Φ16.5×Φ12.5×2mm	M6	M5			

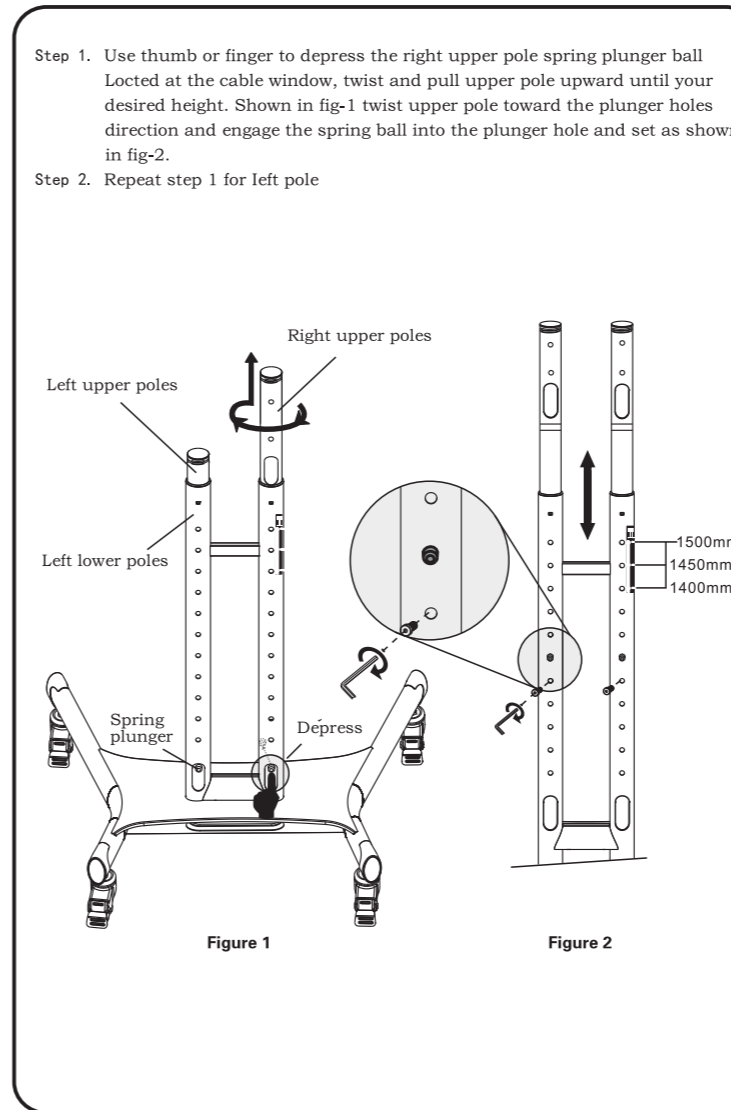
1. Castor wheels to base installation



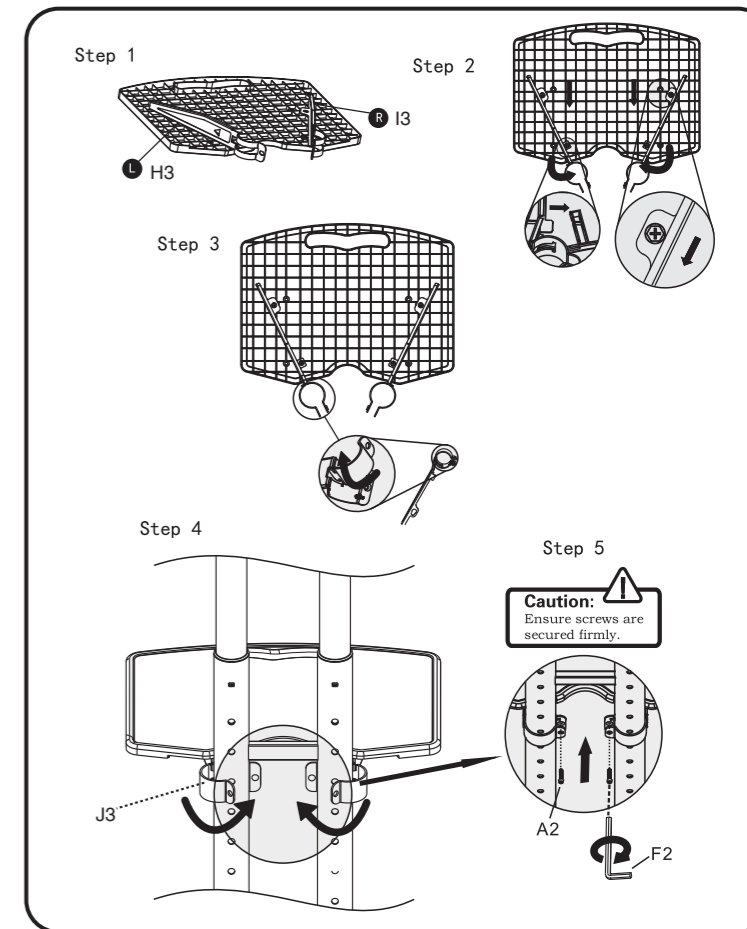
2. Post assembly to base installation



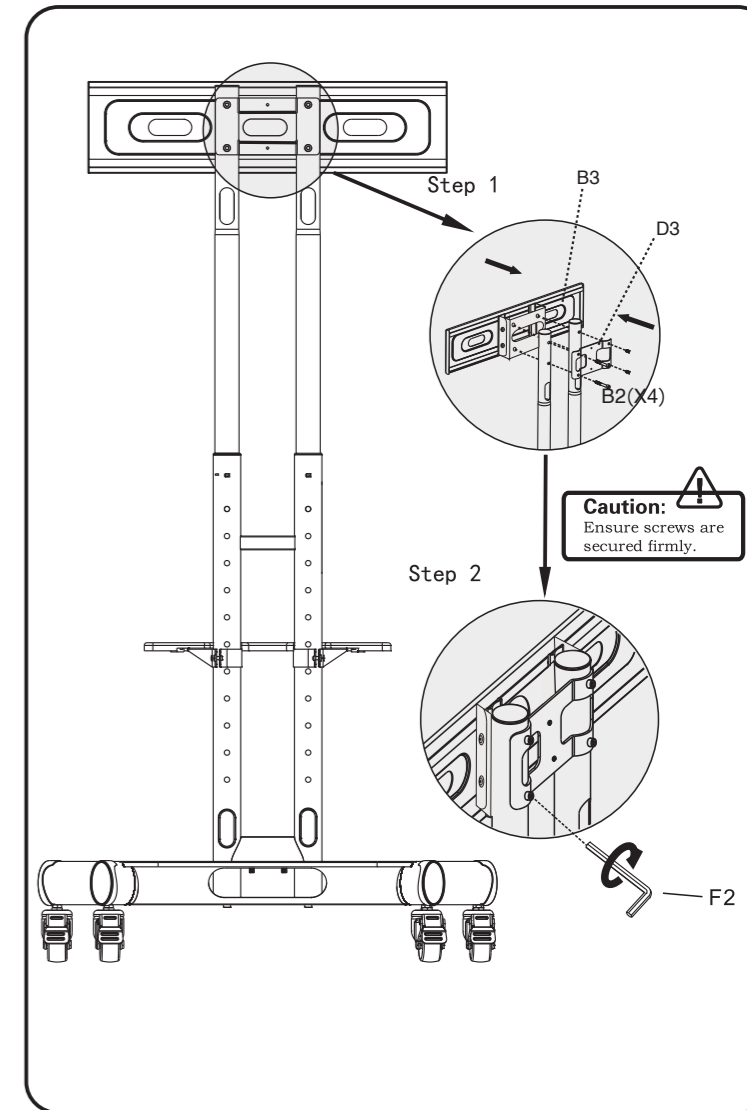
3. Install telescopic mounting poles



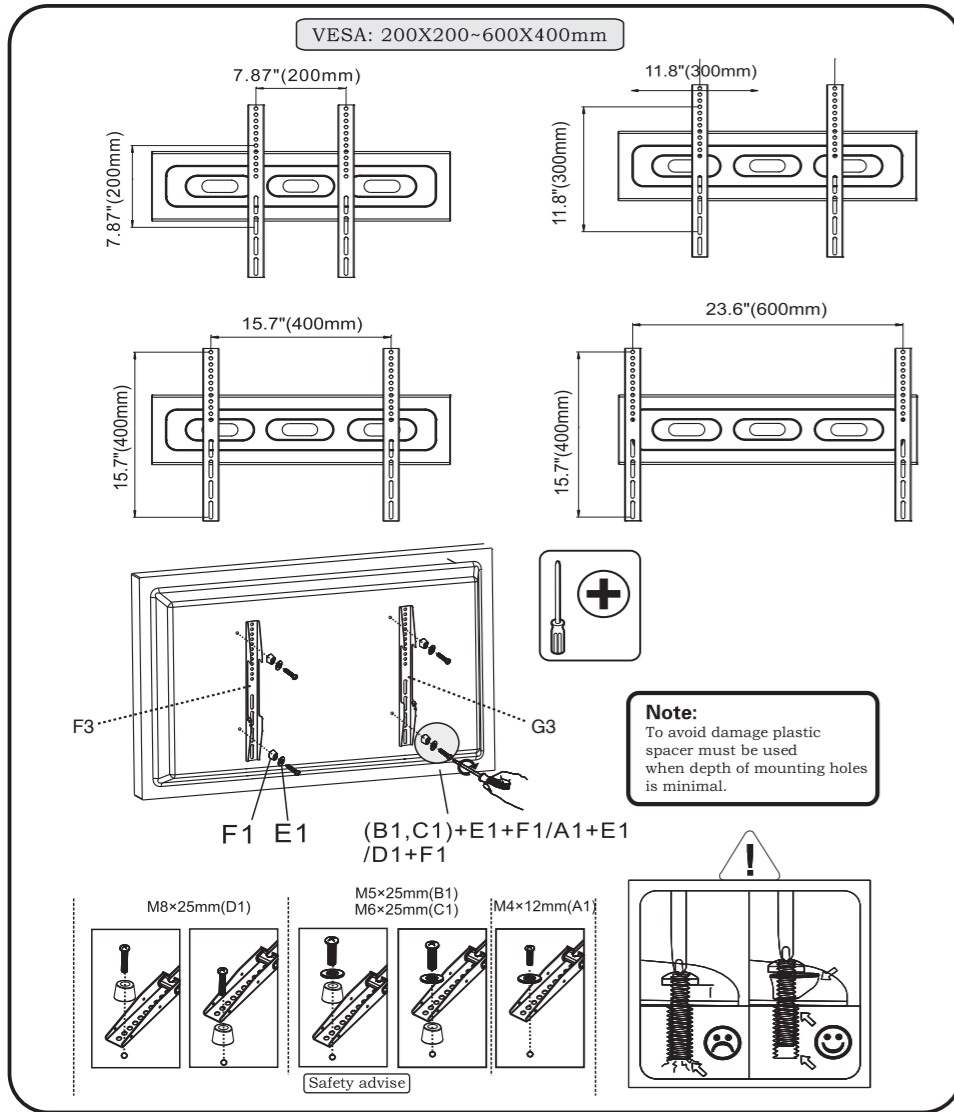
4. AV shelf assembly and installation



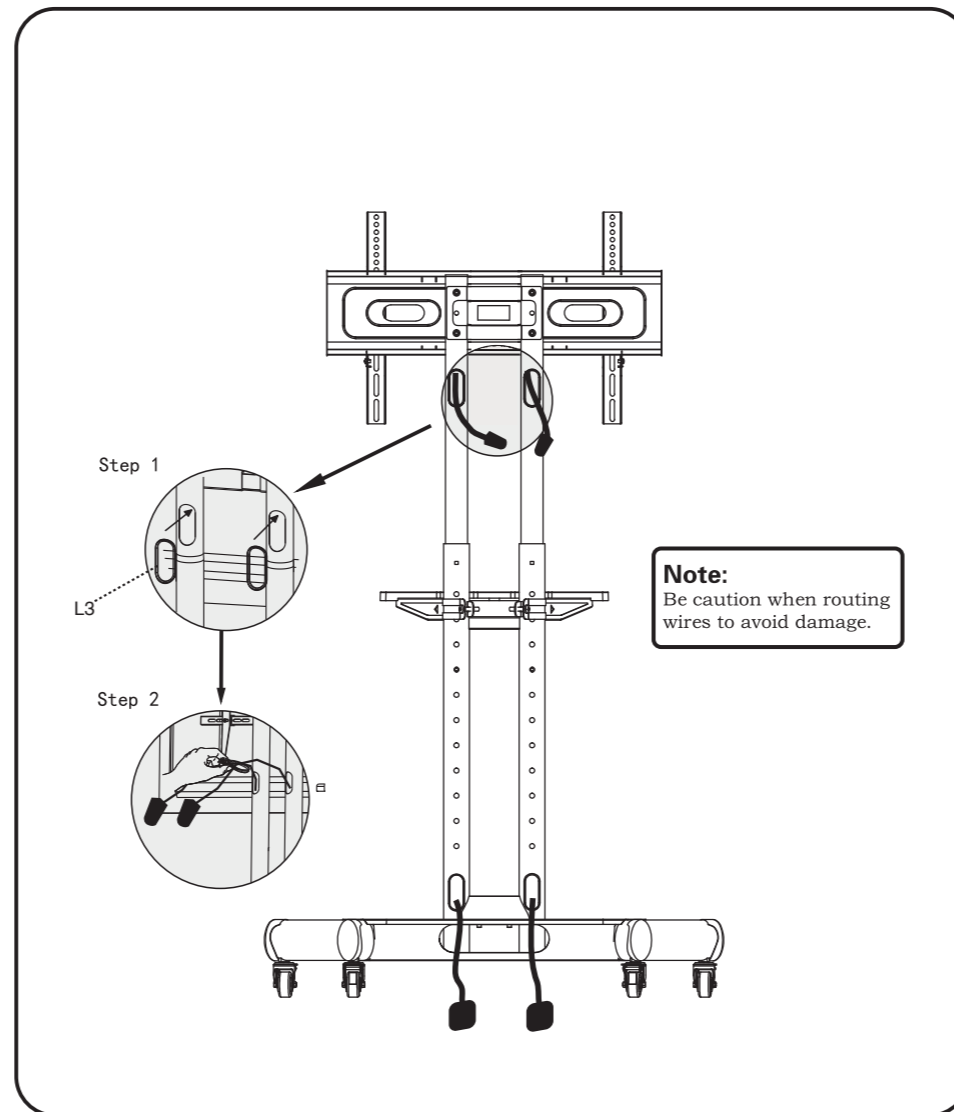
5. Installation of interface



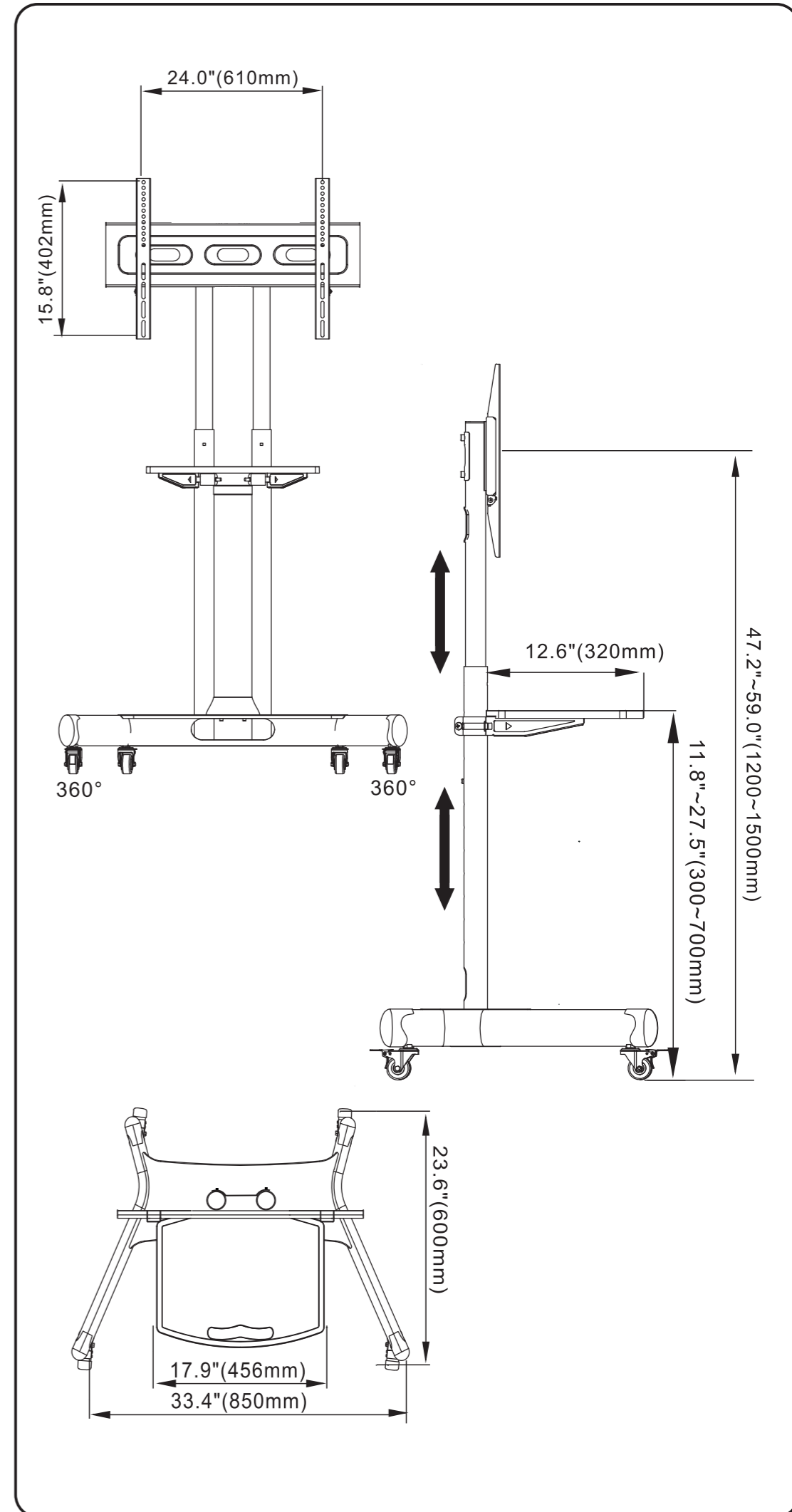
6. Selection of TV mounting patterns



8. Cables and wires installtion



9. Product specifications



7. Mounting TV on pole interface

