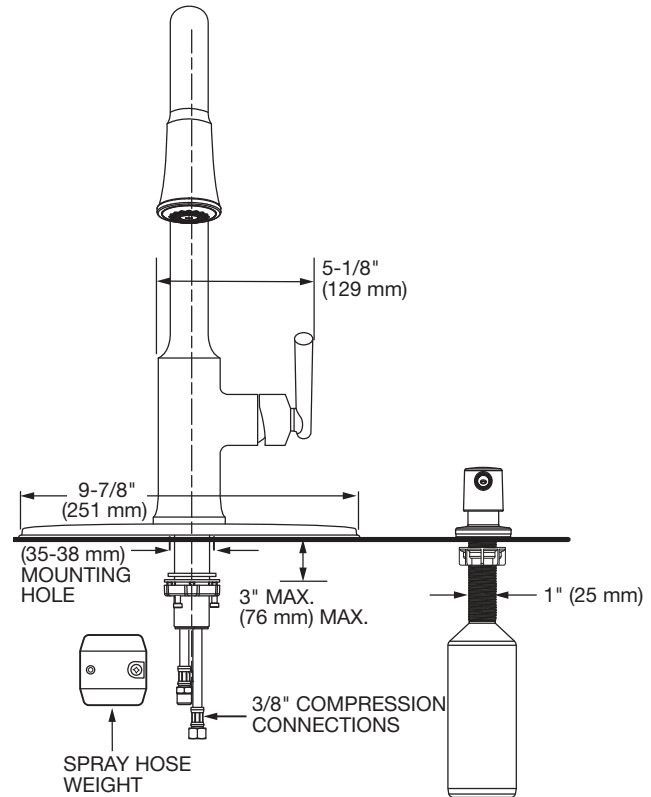
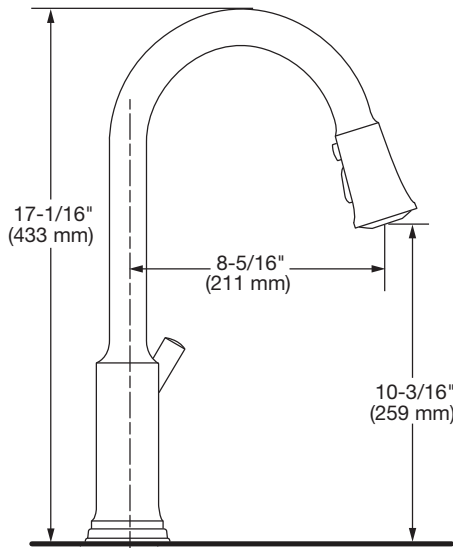


**MODEL NUMBER:**

- ❑ **7421300.075 Pull-Down Kitchen Faucet**  
Stainless Steel Finish.
- ❑ **7421300.002 Pull-Down Kitchen Faucet**  
Chrome Finish.
- ❑ **7421300.243 Pull-Down Kitchen Faucet**  
Matte Black Finish.



**GENERAL DESCRIPTION:**

1-Handle kitchen faucet featuring metal swivel spout and two function spray head, plus pause feature. Includes Re-Trax Retraction System. 28 mm ceramic disc valve cartridge, metal body and ADA metal lever handle. Includes flexible braided 38" supply hoses with 3/8" compression connections. Durable braided nylon spray hose is complete with two integral check valves. Maximum flow rate is 1.8 gpm / 6.8 L/ min. Metal mounting shank with metal fixation ring. Fitting can be mounted with or without included deckplate. Includes color-matched soap dispenser.

**PRODUCT FEATURES:**

- Multi function spray head:** One-touch stream or spray with Pause function
- Re-Trax Retraction System:** Ensures smooth pull-out, operation, and retraction
- Ceramic Disc Valve Cartridge:** Lifetime of drip-free performance
- Optional Deckplate Included:** Fits 1, 2, 3 or 4 hole sinks or counters
- Speed Connect Hoses:** Easily snap together for a watertight connection

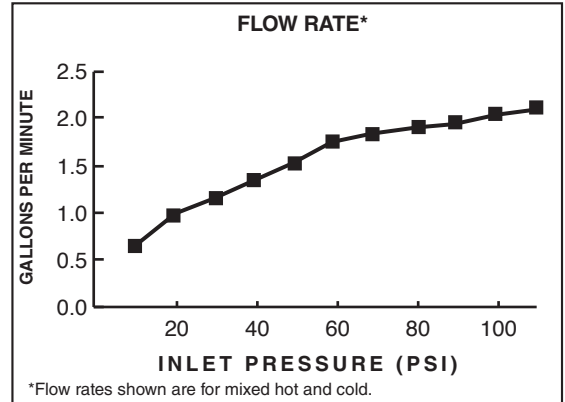
**SUGGESTED SPECIFICATION**

1-handle kitchen pull-down faucet shall feature a high arc metal swivel spout and metal lever handle. Shall also feature 28 mm washerless ceramic disc valve cartridge and 38" flexible Stainless Steel supply hoses. Faucet shall include Re-Trax Retraction System. Includes color-matched soap dispenser. Faucet shall be American Standard Model # 7421300.002 and 7421300.075, 7421300.243.

**CODES AND STANDARDS**

These products meet or exceed the following codes and standards:

- ANSI A117.1**
- ASME A112.18.1**
- CSA B125.1**
- NSF 61/Section 9**
- NSF 372**



**1.8 gpm/6.8 L/min. FLOW RATE**

Product Number	Description
7421300.002	Pull-Down Kitchen Faucet featuring Re-Trax™ technology. Includes color-matched soap dispenser and deckplate (installation is optional). Chrome finish
7421300.075	Pull-Down Kitchen Faucet featuring Re-Trax™ technology. Includes color-matched soap dispenser and deckplate (installation is optional). Stainless Steel finish
7421300.243	Pull-Down Kitchen Faucet featuring Re-Trax™ technology. Includes color-matched soap dispenser and deckplate (installation is optional). Matte Black finish

**ADA** Meets the American Disabilities Act Guidelines  
**ANSI A117.1** Requirements for the physically challenged.