

ASSEMBLY INSTRUCTIONS



Fine Furniture for every stage of life

REVISION 0: 12/12/2013
REVISION 1: 04/09/2017
REVISION 2: 03/05/2020

PAGE 1 OF 3

Dining Table

ASSEMBLY INSTRUCTIONS

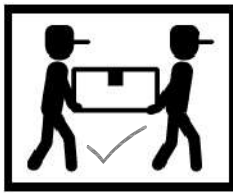
ASSEMBLY TIPS :

1. Remove hardware from box and sort by size.
2. Please check to see that all hardware and parts are present prior to start of assembly.
3. Please follow attached instructions in the same sequence as numbered to assure fast & easy assembly.



WARNING !

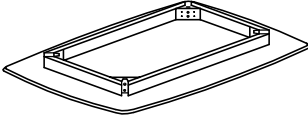
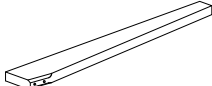
1. Don't attempt to repair or modify parts that are broken or defective. Please contact the store immediately.
2. This product is for home use only and not intended for commercial establishments.







ASSEMBLY TIME

15 MINUTES

PARTS IDENTIFICATION

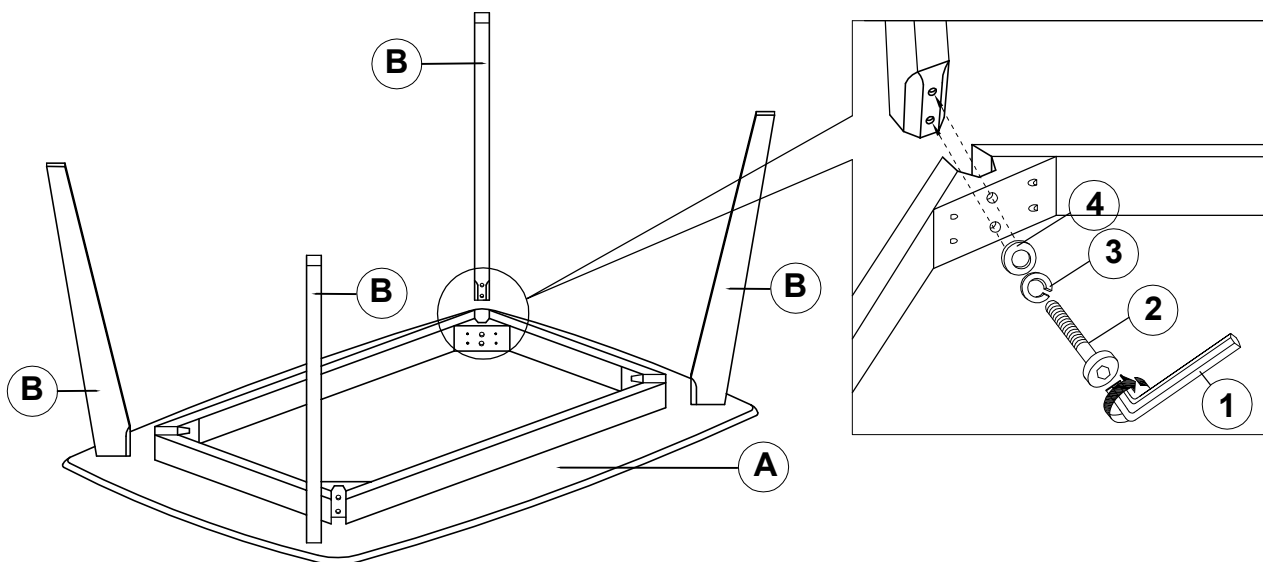
A	TOP		1PC
B	LEG		4PCS

HARDWARE IDENTIFICATION

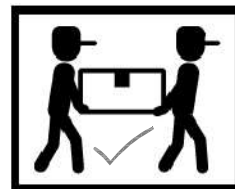
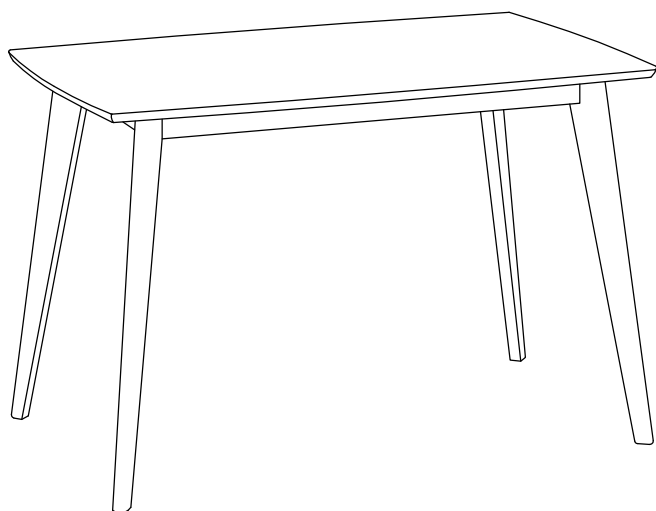
1	ALLEN WRENCH (M4 x 63mm - BLK)		1PC
2	BOLT (M6 x 60mm - RBW)		8PCS
3	LOCK WASHER (1/4" - BLK)		8PCS
4	FLAT WASHER (5/16" - RBW)		8PCS

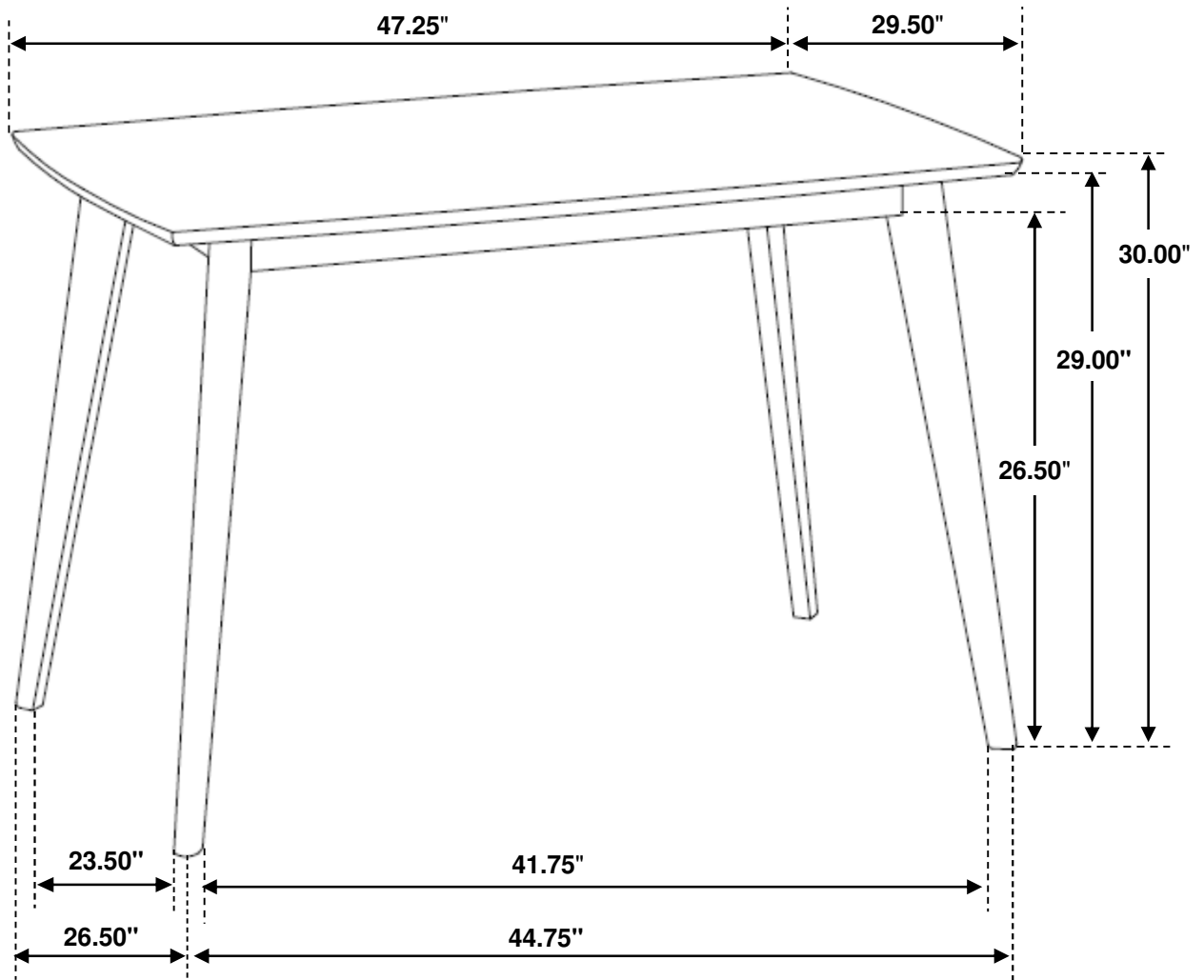
ASSEMBLY INSTRUCTIONS

STEP 1



STEP 2 COMPLETE





Note: Dimension tolerance $\pm 5\%$

ASSEMBLY INSTRUCTIONS



Fine Furniture for every stage of life

Dining Side Chair

REVISION 1: 12/12/2013
REVISION 1: 08/19/2014
REVISION 2: 02/18/2016
REVISION 3: 11/13/2020

ASSEMBLY INSTRUCTIONS

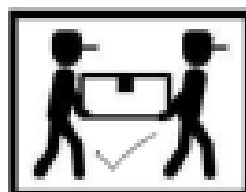
ASSEMBLY TIPS :

1. Remove hardware from box and sort by size.
2. Please check to see that all hardware and parts are present prior to start of assembly.
3. Please follow attached instructions in the same sequence as numbered to assure fast & easy assembly.



WARNING !



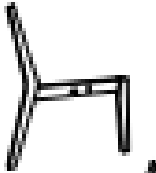

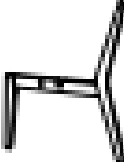
1. Don't attempt to repair or modify parts that are broken or defective. Please contact the store immediately.
2. This product is for home use only and not intended for commercial establishments.











ASSEMBLY TIME

15 MINUTES

PARTS IDENTIFICATION

AF	BACKREST		1PC	DF	WOOD CLEAT		1PC
BF	UPPER LEG FRAME		1PC	EF	SEAT CUSHION		1PC
CF	LOWER LEG FRAME		1PC				

HARDWARE IDENTIFICATION

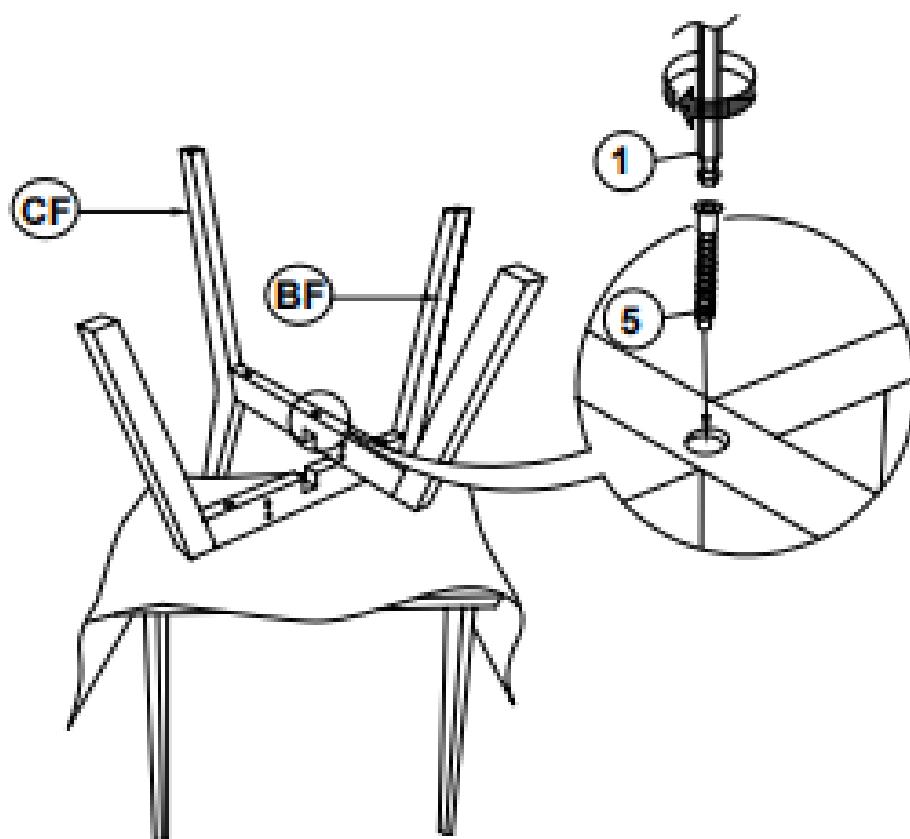
1	ALLEN WRENCH (M4 x 110MM - BLK)		1PC	5	BOLT (M7 x 50MM - ZB)		1PC
2	LONG BOLT (M6 x 60MM - RBW)		4PCS	6	LOCK WASHER (1/4" - BLK)		8PCS
3	MEDIUM BOLT (M6 x 35MM - RBW)		4PCS	7	FLAT WASHER (M6 X 13MM - RBW)		4PCS
4	SHORT BOLT (M6 x 25MM - RBW)		4PCS	8	WOOD PLUG (Ø14.5 X 9MM)		4PCS

NOTE :

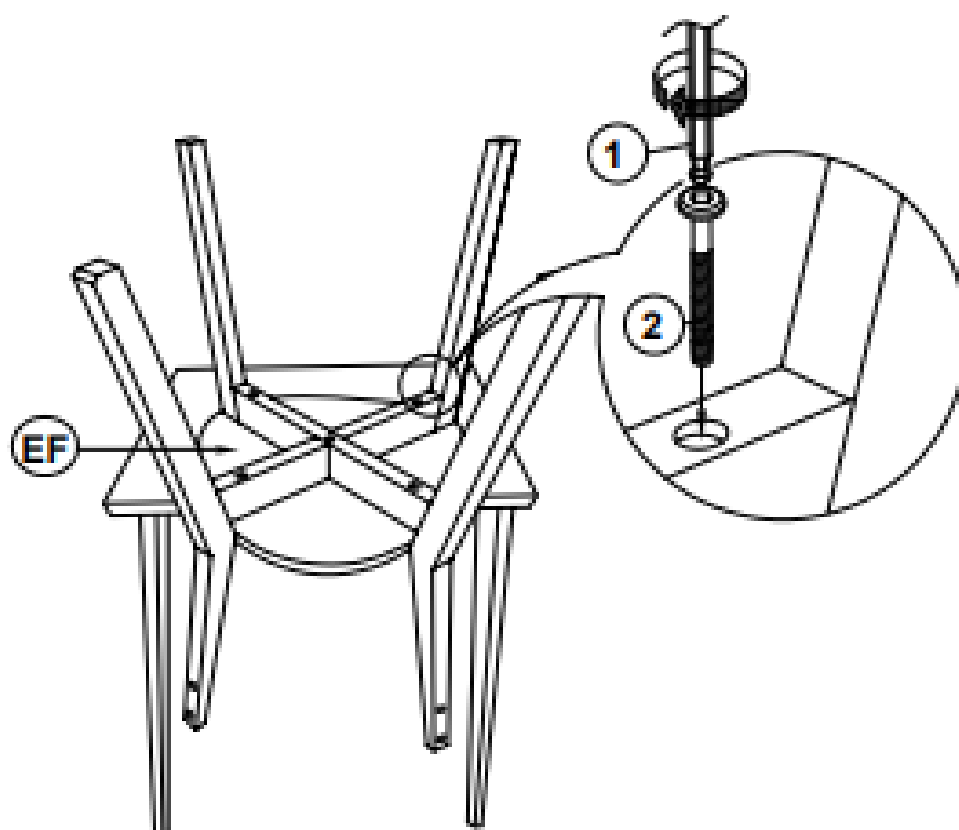
Phillips head screw driver is required in the assembly process; However, manufacturer not provide this item. Quantities shown are for one chair.

ASSEMBLY INSTRUCTIONS

STEP 1

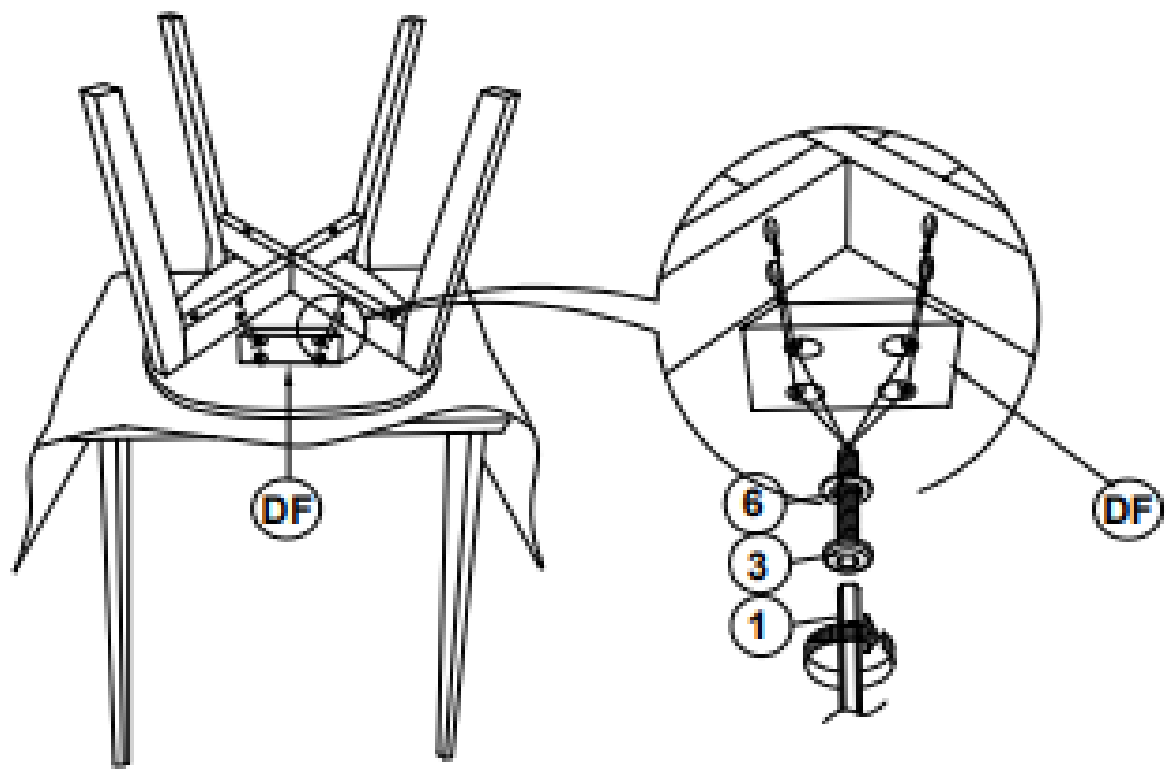


STEP 2

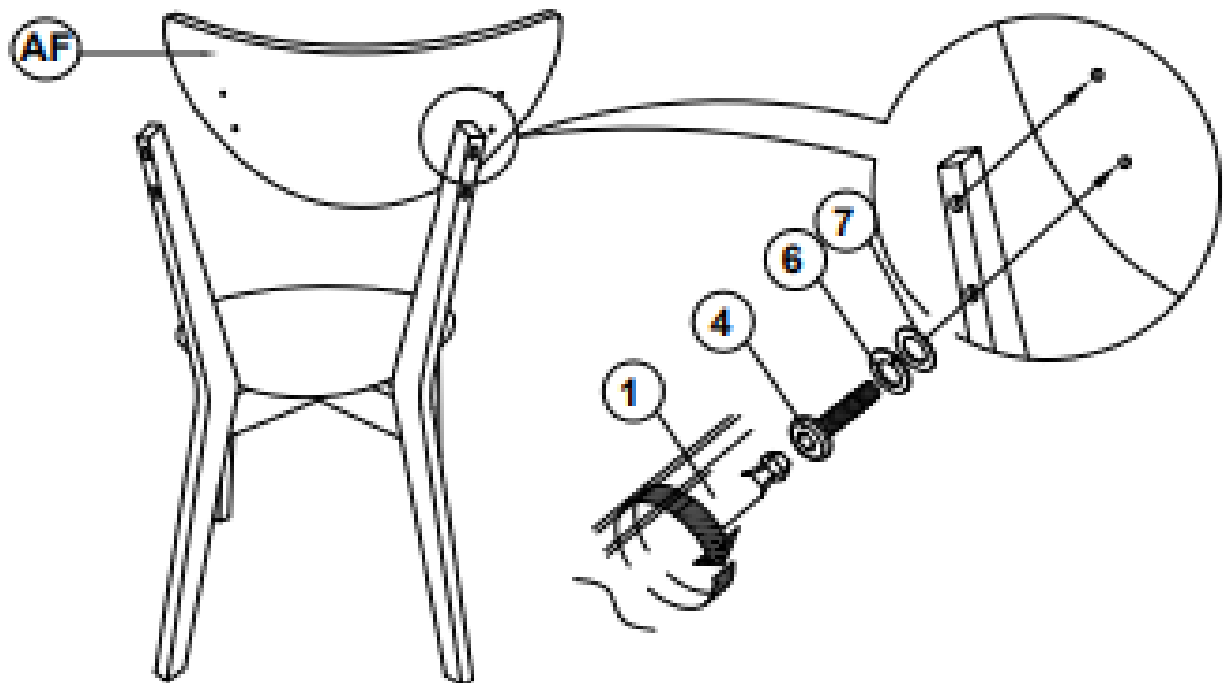


ASSEMBLY INSTRUCTIONS

STEP 3

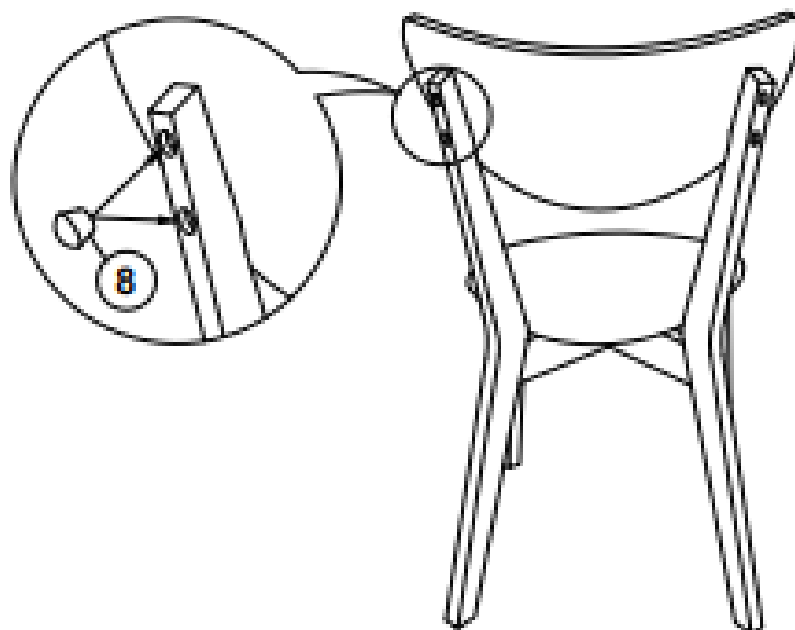


STEP 4

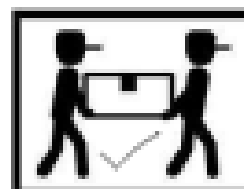


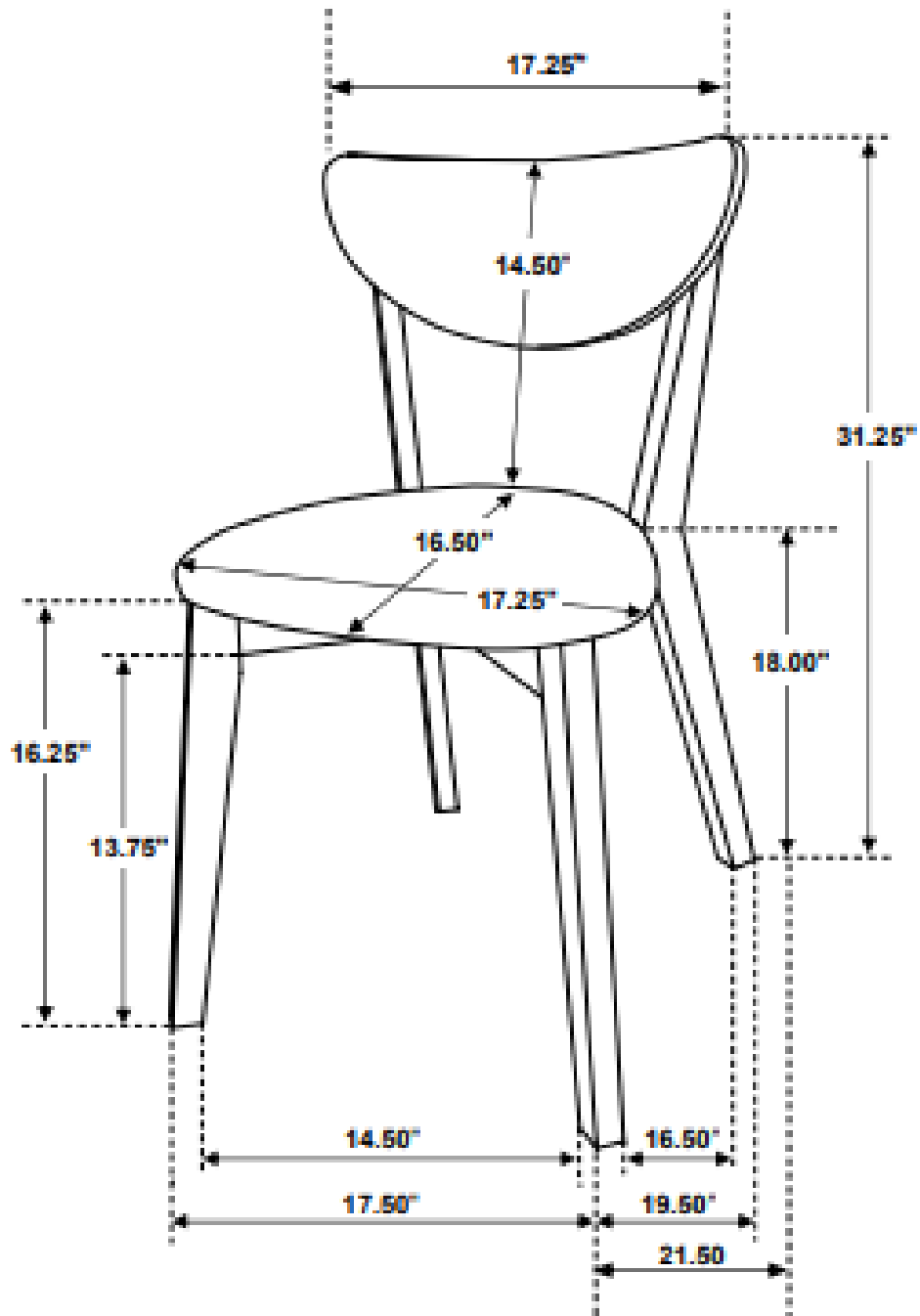
ASSEMBLY INSTRUCTIONS

STEP 5



STEP 6 **COMPLETE**





Note: Dimension tolerance $\pm 5\%$