

DESK ASSEMBLY INSTRUCTION

Thank you for purchasing this quality product. Be sure to check all packing material carefully for small parts which may have come loose inside the carton during shipment. Separate, identify and count all parts and hardware. Compare with the parts list to be sure all parts are present.

IMPORTANT : PLEASE READ INSTRUCTION BEFORE STARTING THE ASSEMBLY.

"DO NOT TIGHTEN SCREWS UNTIL COMPLETELY ASSEMBLED"

"DO NOT OVERTIGHT ANY HARDWARE"

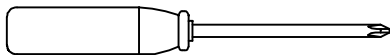
WARNING : SMALL PARTS AND HARDWARE NOT FOR CHILDREN UNDER 3 YEARS. ADULT ASSEMBLY REQUIRED.

TABLE OF CONTENTS

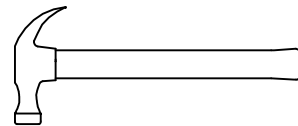
HARDWARES LIST	PAGE 2
PARTS LIST	PAGE 3
PARTS' LOCATION	PAGE 4
ASSEMBLY STEPS	PAGE 5-7
ASSEMBLY COMPLETED	PAGE 7

ASSEMBLY TOOLS REQUIRED

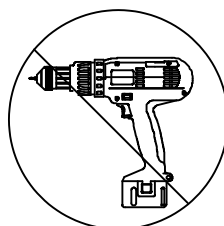
1. Screwdriver (not provide)



2. Hammer (not provide)



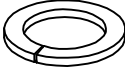
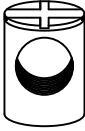






Skip the power drill this time.



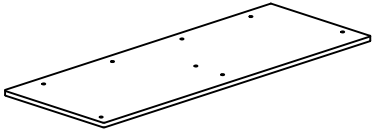
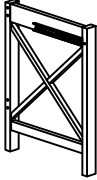
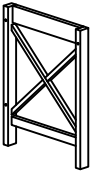
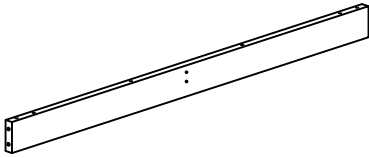
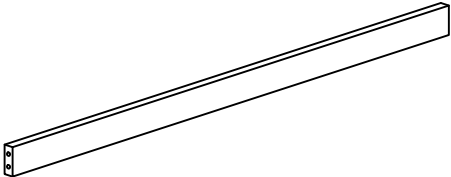
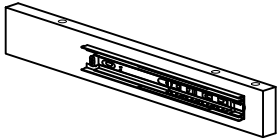
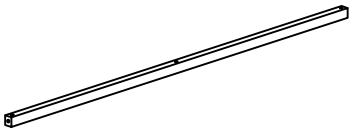
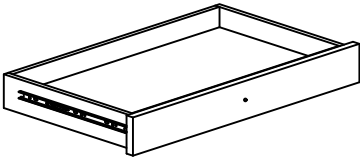
DESK ASSEMBLY INSTRUCTION

HARDWARES LIST

ITEM	DESCRIPTION	DRAWING	QTY
A	JCBC SCREW M6 x 60MM		2 PCS
B	JCBC SCREW M6 x 80MM		14 PCS
C	SPRING WASHER M6 x 12MM		8 PCS
D	BARREL NUT		7 PCS
E	WOOD DOWEL M8 x 30MM		5 PCS
F	HANDLE		2 PCS
G	PAN HEAD SCREW M4 X 40MM		2 PCS
H	M4 ALLEN KEY (100MM)		1 PC

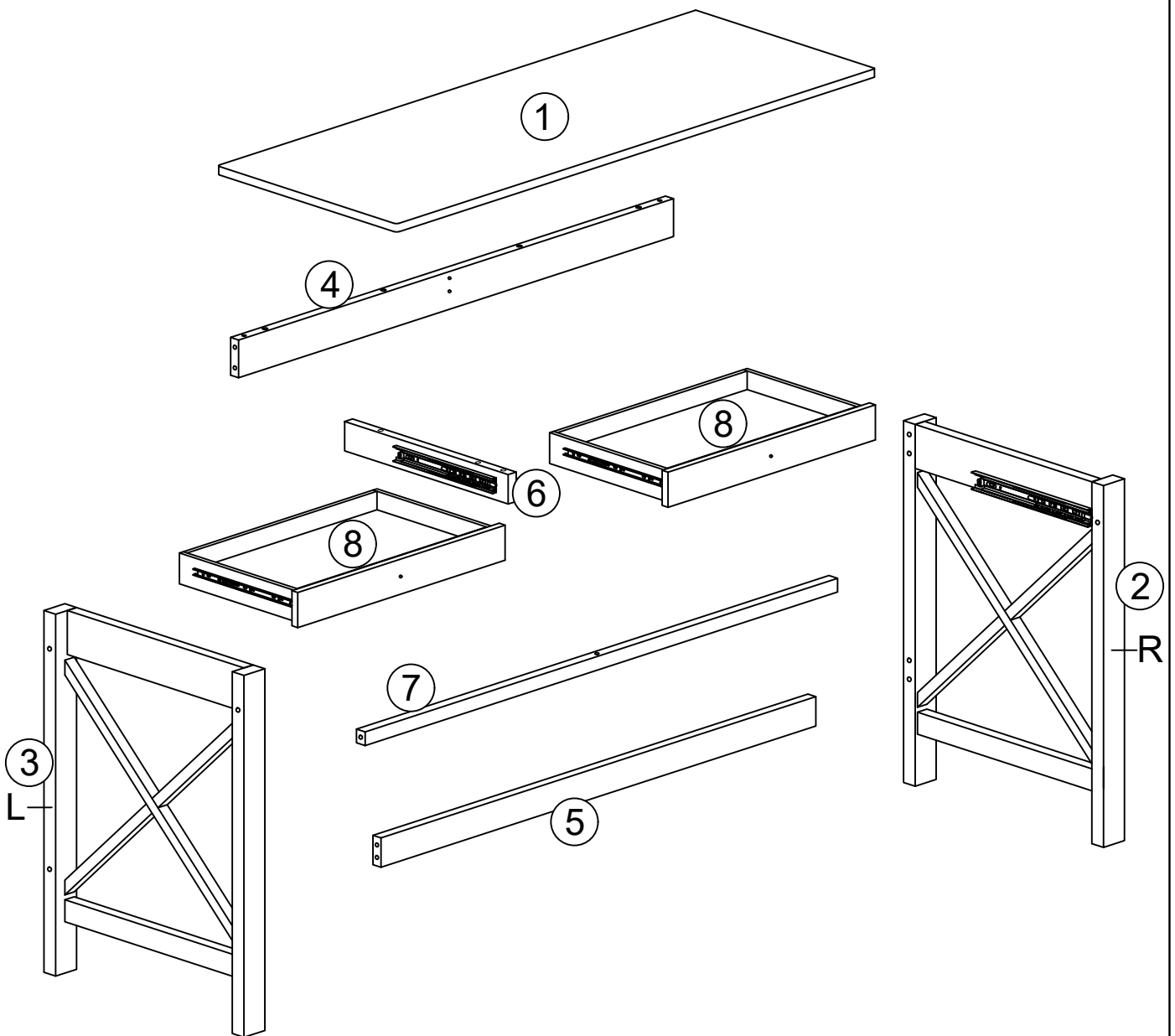
DESK ASSEMBLY INSTRUCTION

PARTS LIST

ITEM	DESCRIPTION	DRAWING	QTY
1	TABLE TOP		1 PC
2	LEG WITH LABEL "R"		1 PC
3	LEG WITH LABEL "L"		1 PC
4	BACK PANEL		1 PC
5	LOWER LEG SUPPORT		1 PC
6	CENTER PANEL		1 PC
7	SUPPORT RAIL		1 PC
8	DRAWER		2 PCS

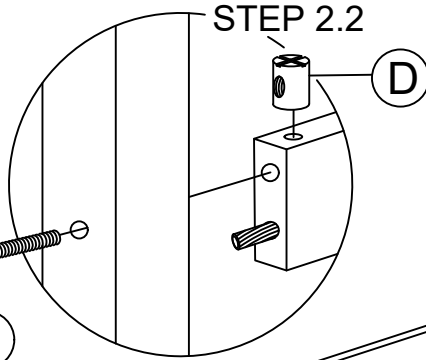
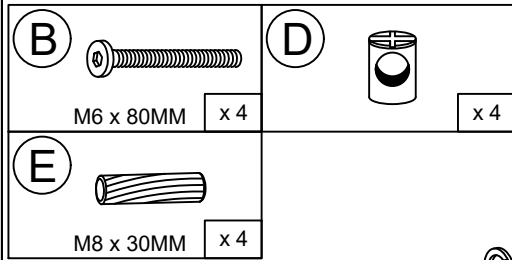
DESK ASSEMBLY INSTRUCTION

PARTS ' LOCATION

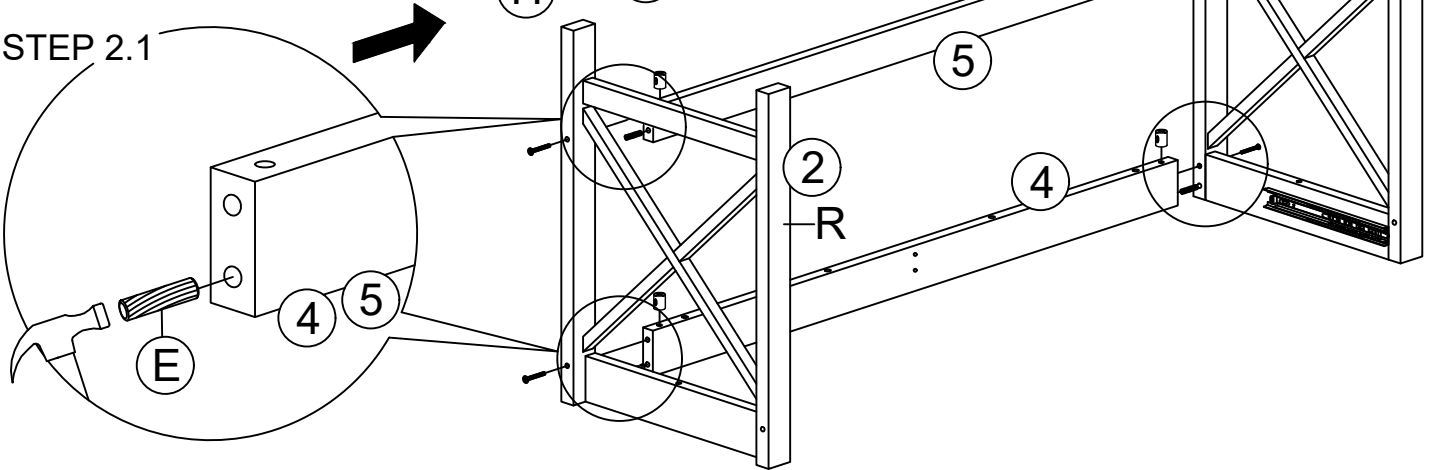


DESK ASSEMBLY INSTRUCTION

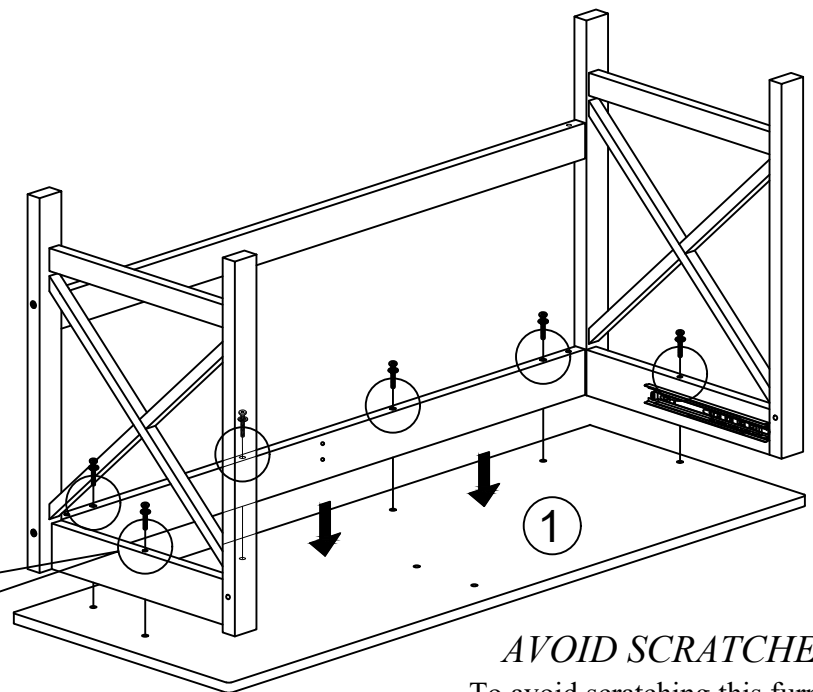
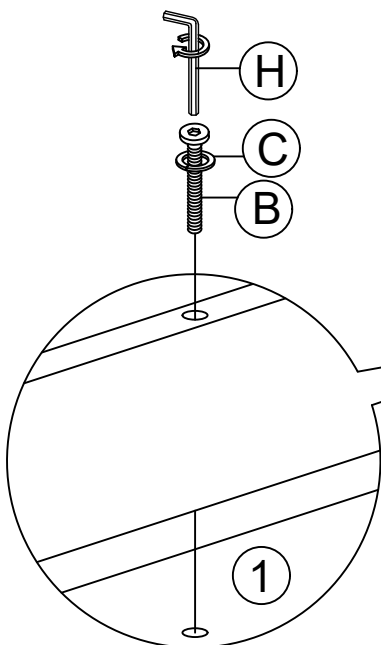
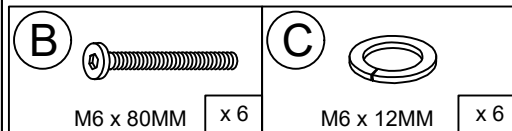
STEP 1



STEP 2.1

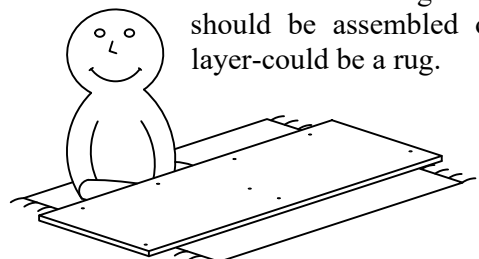


STEP 2








AVOID SCRATCHES!

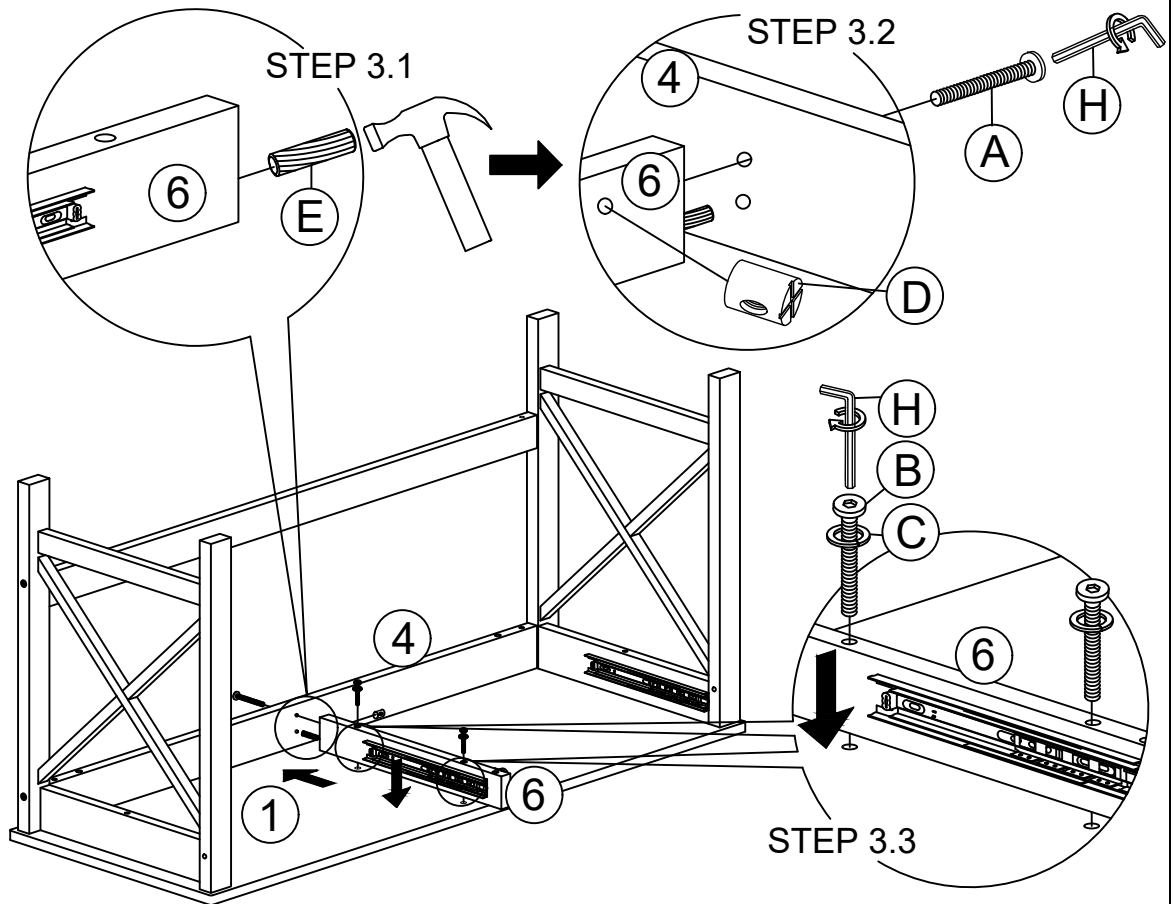
To avoid scratching this furniture should be assembled on a soft layer—could be a rug.






DESK ASSEMBLY INSTRUCTION

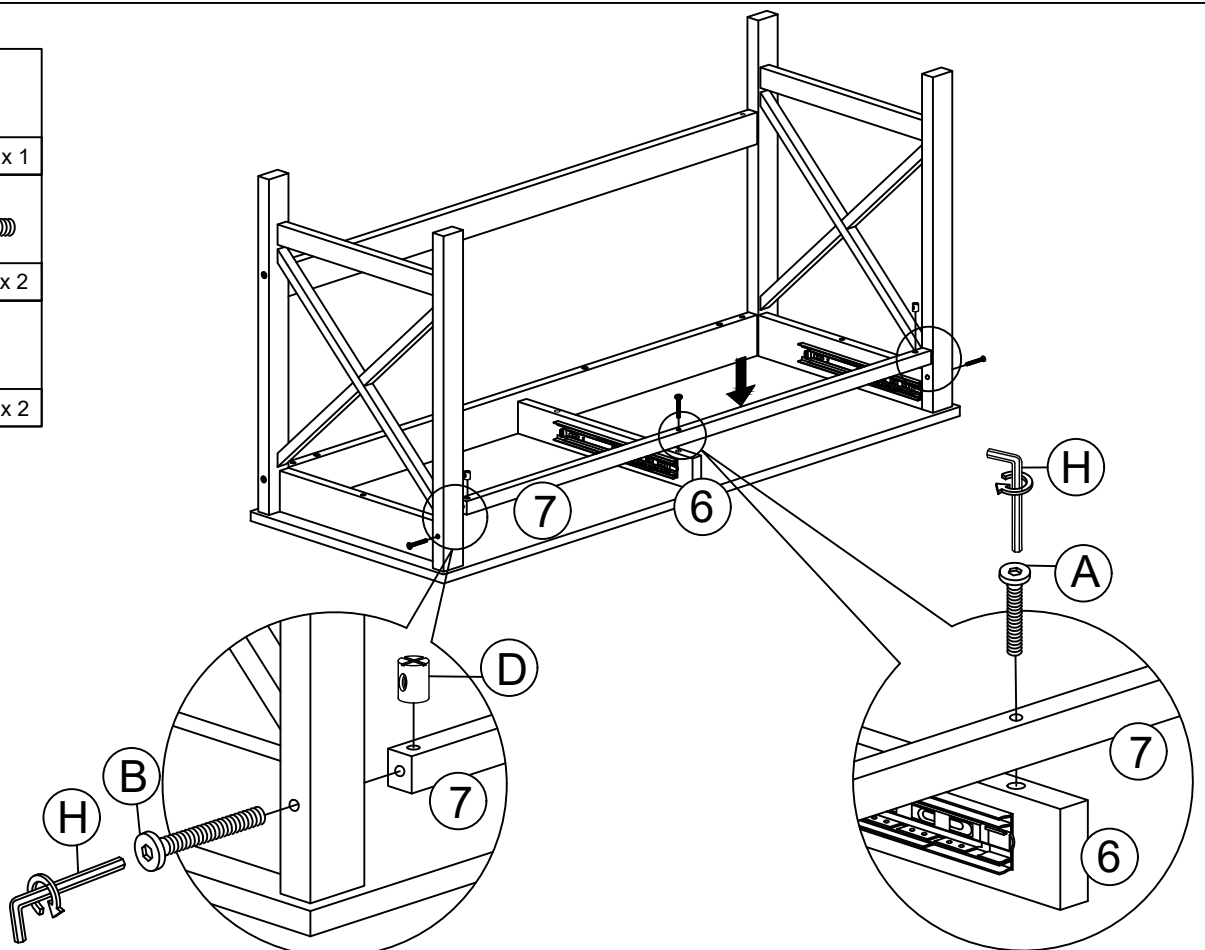
STEP 3

- (A)**  M6 x 60MM x 1
- (B)**  M6 x 80MM x 2
- (C)**  M6 x 12MM x 2
- (D)**  x 1
- (E)**  M8 x 30MM x 1



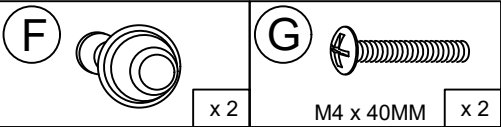
STEP 4

- (A)**  M6 x 60MM x 1
- (B)**  M6 x 80MM x 2
- (D)**  x 2

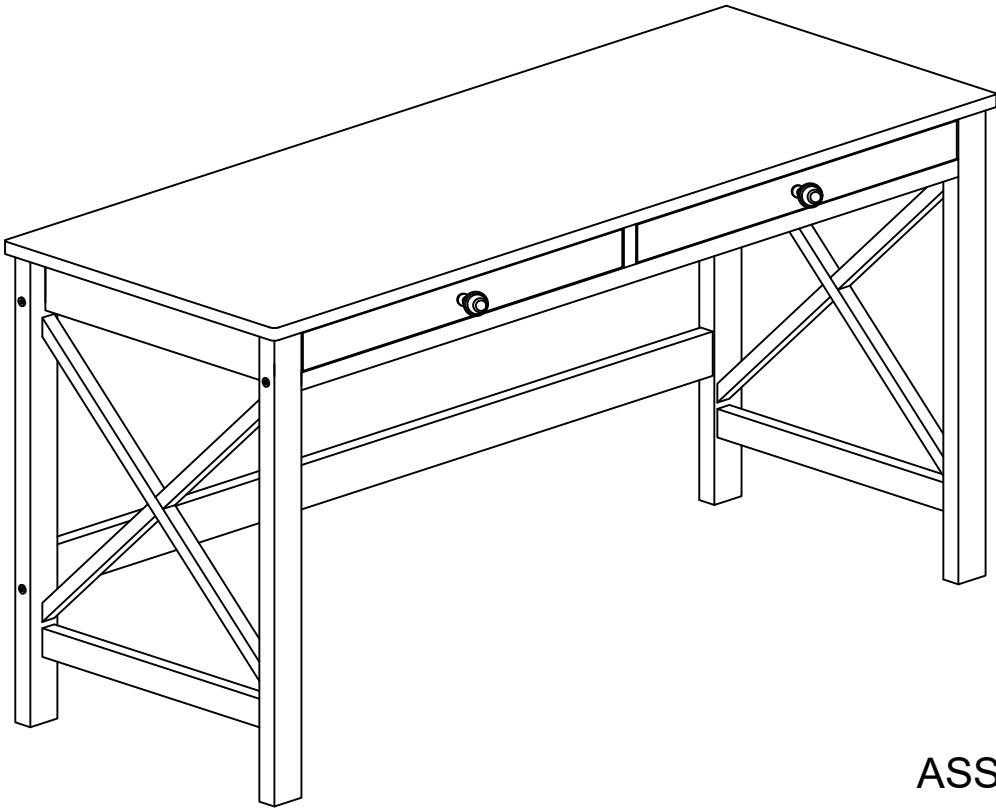
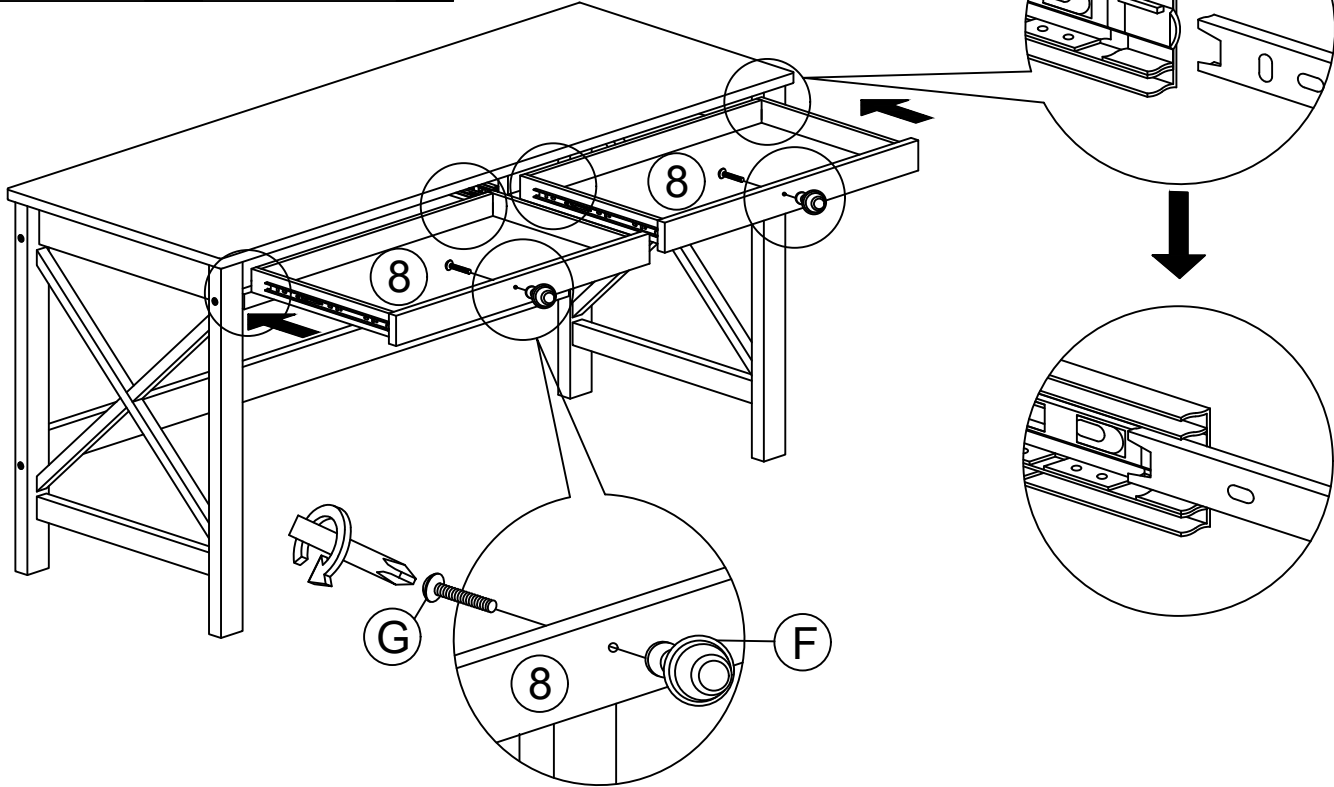


DESK ASSEMBLY INSTRUCTION

STEP 7



The drawer side must aligned as shown when insert the drawer.



ASSEMBLY COMPLETED