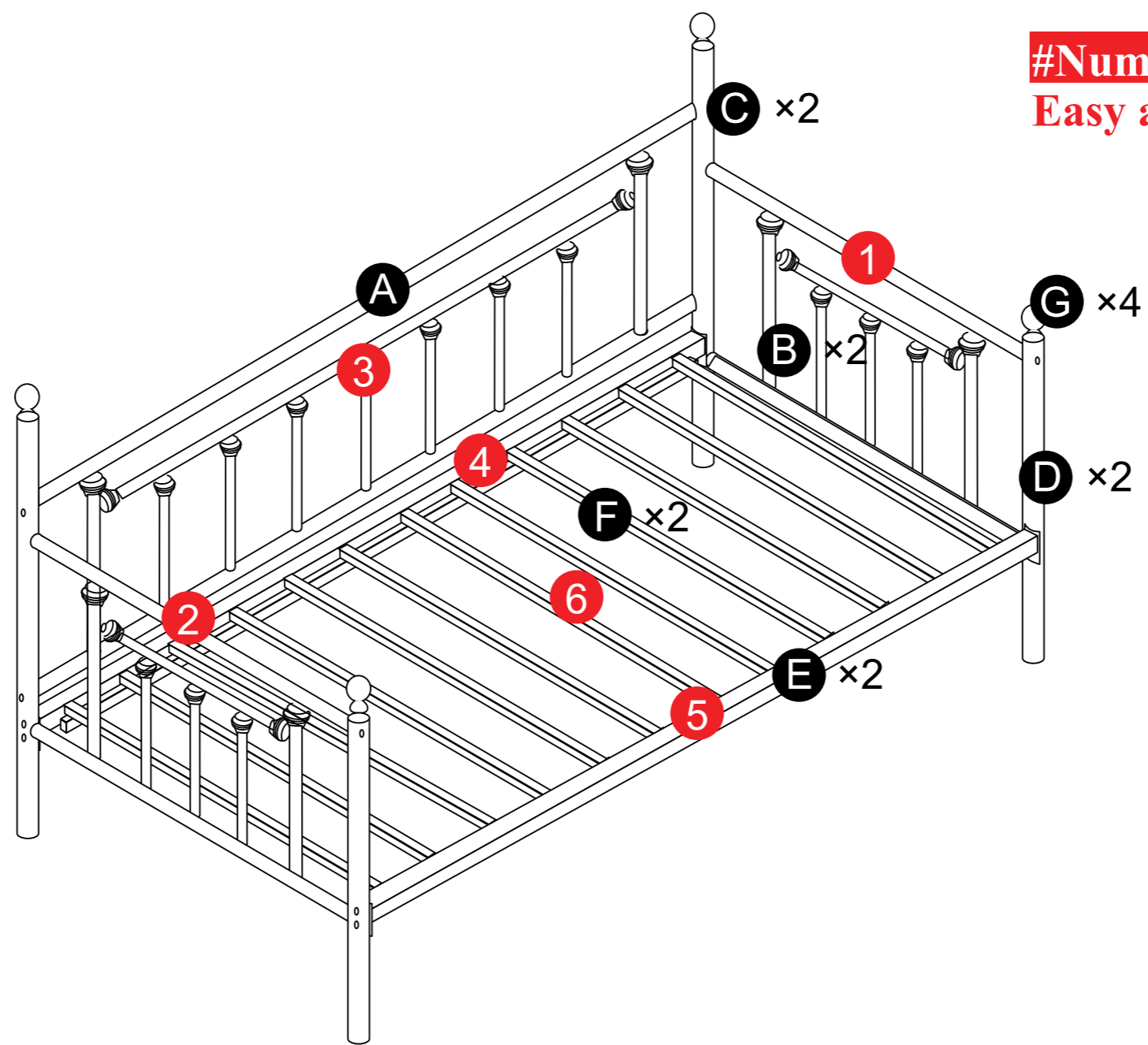


Assembly Instruction

#Number System
Easy assembly by following 1,2,3...



Componets

A		1
B		2
C		2
D		2
E		2
F		2
G		4

Screws & Tools

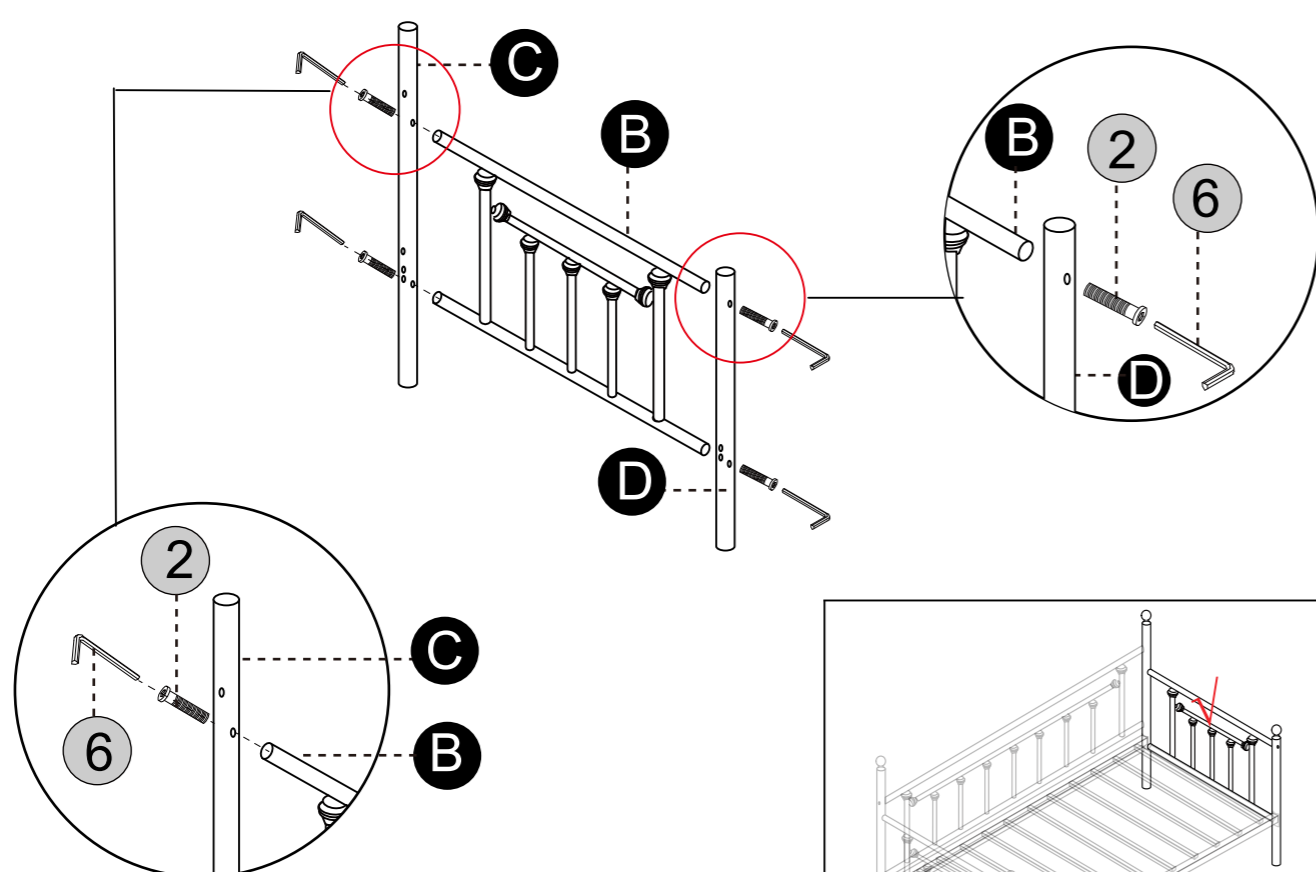
1		M8*50mm	8
2		M6*50mm	12
3		M6*16mm	8
4		M8	4
5		M5	1
6		M4	1
7		M13	1
8		M8	8

Check all the components & screws before assembly.

1

2

M6*50mm
4pcs



2

2

M6*50mm
4pcs

