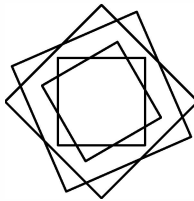
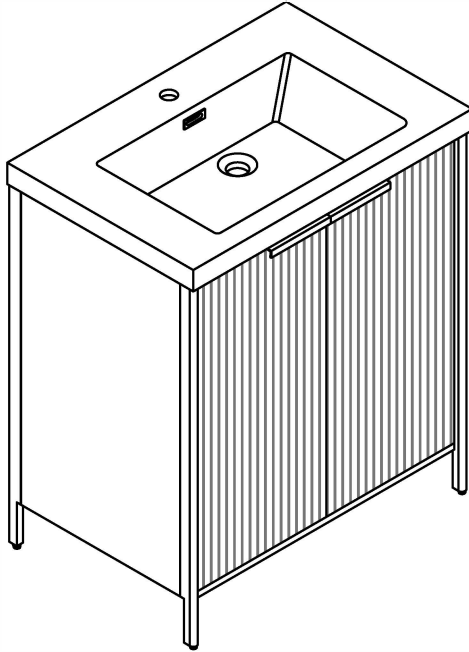


Installation Manual

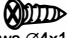
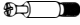



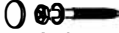



MOTIVATE
YOUR LIFE !


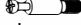






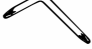


Thank you for shopping with us!

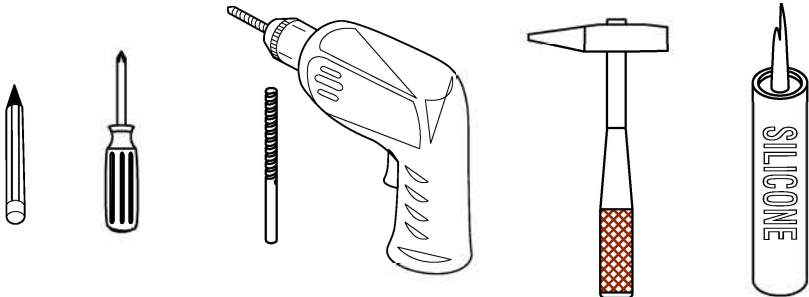
We encourage you to take a few minutes to go through this booklet. It contains important information on installation and care tips to keep your furniture looking as good as new.

Hardware

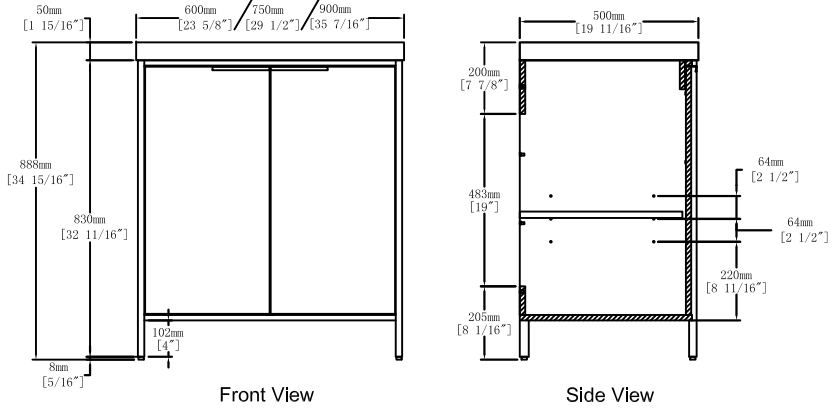
NO.	Draw	QTY
A	 Screws $\varnothing 4 \times 14 \text{mm}$	44
B	 Two-in-one connector	19
C	 Two-in-one connector	27
D	 Handle (Screws $\varnothing 4 \times 14 \text{mm}$)	2
E	 Plastic anchor ($\varnothing 10 \text{mm}$)	2
F	 Screws for fix on the wall	2
G	 Bracket ($53 \times 70 \times 44 \text{mm}$)	2
H	 Bracket ($19 \times 19 \times 35 \text{mm}$)	2
I	 Hinges (Internal hiding)	4

NO.	Draw	QTY
J	 Metal feet (Front)	2
K	 Three-in-one connector	8
L	 Metal foot (Left)	1
M	 Metal foot (Right)	1
N	 Screws $M4 \times 12 \text{mm}$	8
O	 Door stopper	2
P	 Movable laminate support	4
Q	 Anti-collision gasket	2
R	 Screwdriver	1

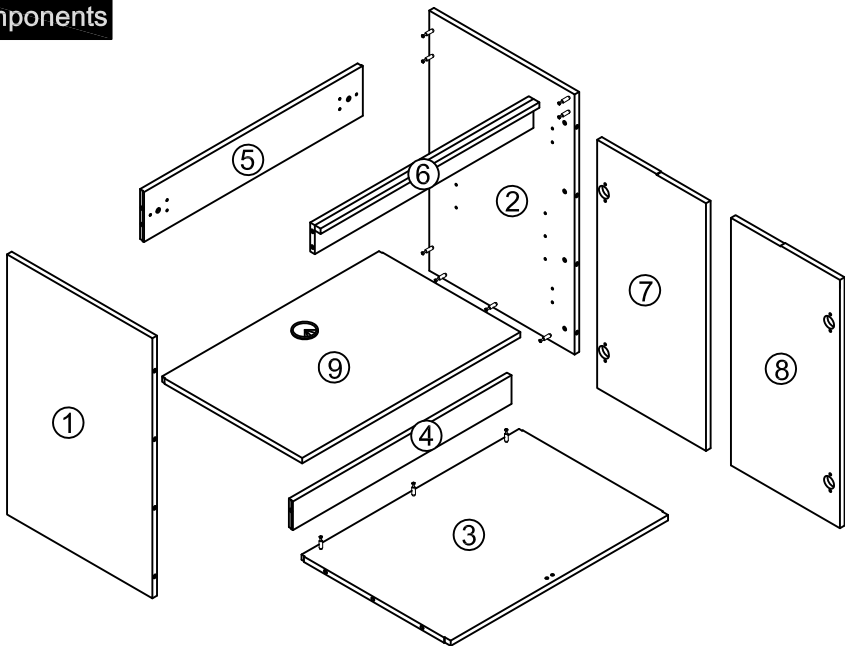
Recommended tools



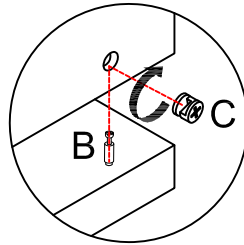
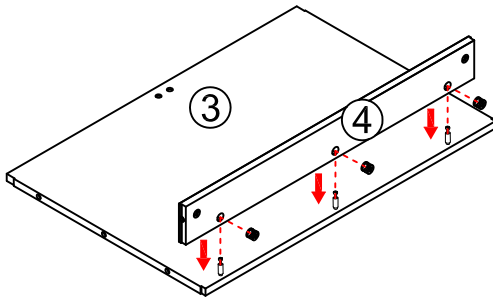
Dimensions

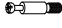

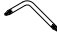


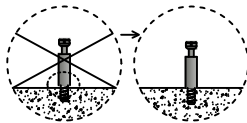
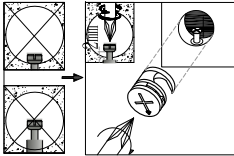
Components



Step 1

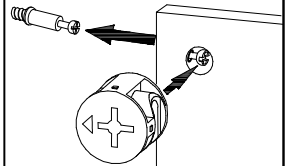


	x3
B	
	x3
C	
	
R	

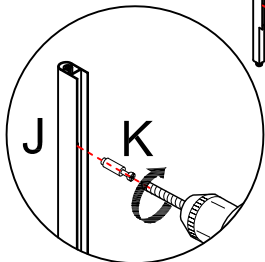
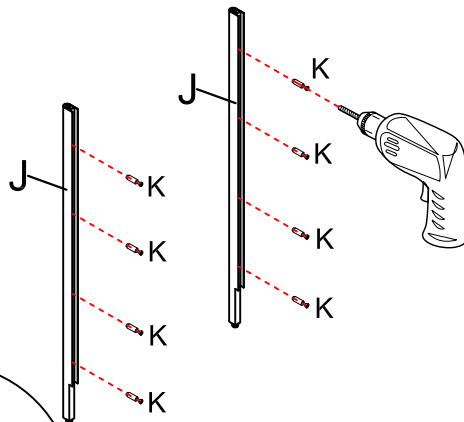



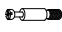

Notes: Screw installation depth as shown

Attention: Cam lock arrow point to the steel rod.

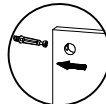


Step 2



	x2
J	
	x8
K	
	
Tool	

first step



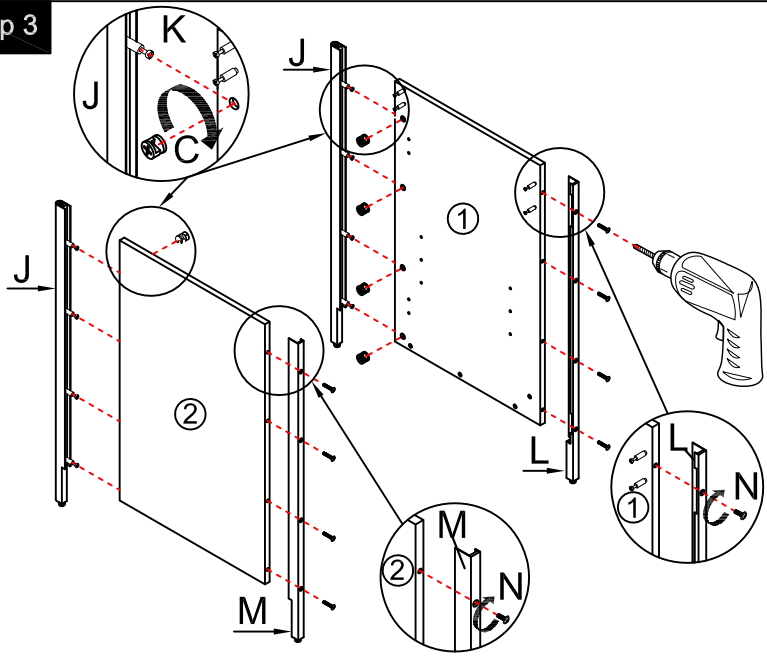
second step








third step

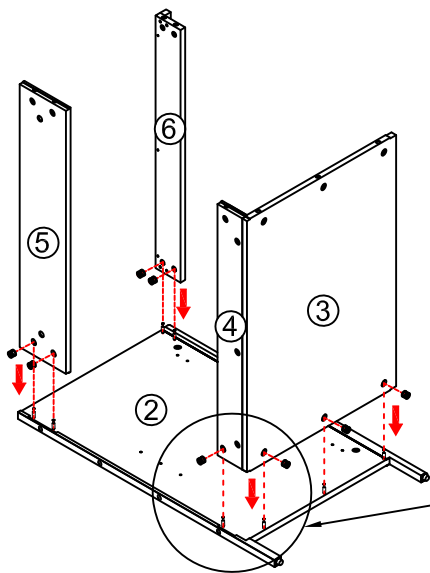


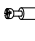


Step 3

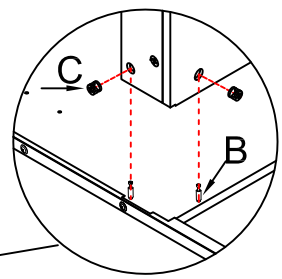


	x8
C	
	x1
L	
	x1
M	
(M4 x 12mm)	
	x8
N	
	
Tool	

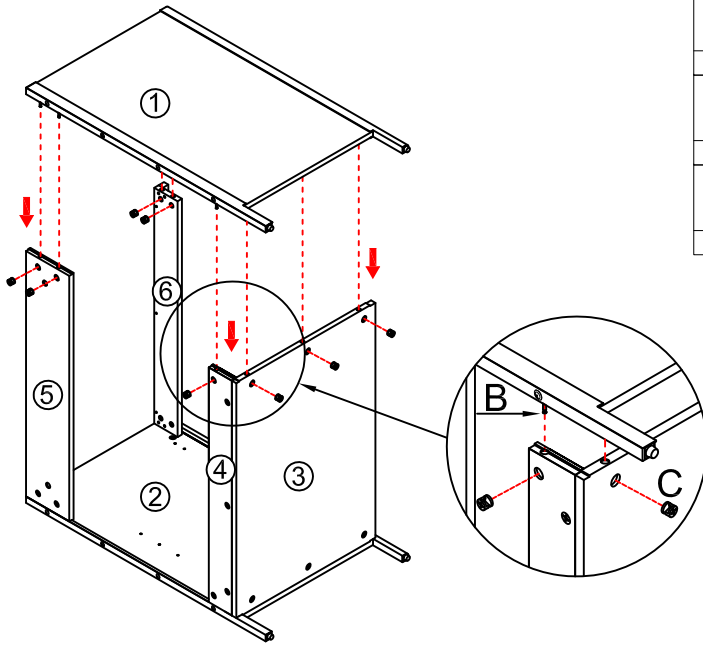
Step 4






	x8
B	
	x8
C	
	
R	

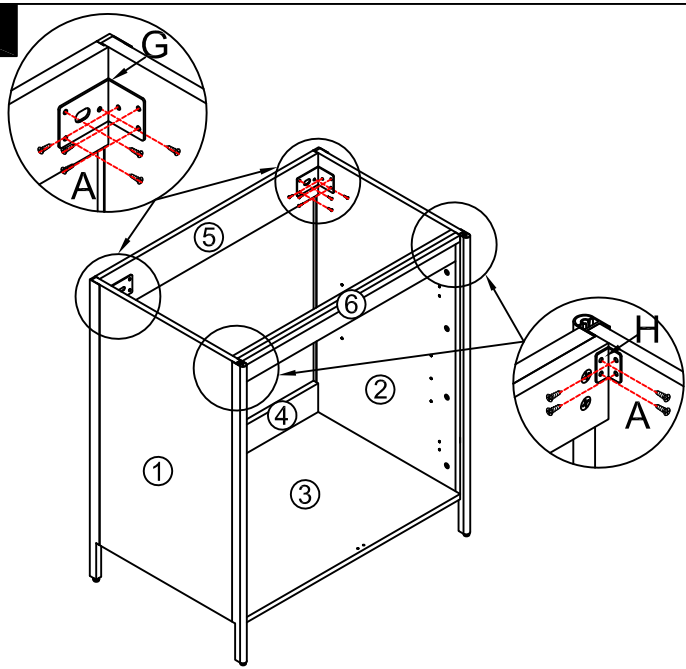






Step 5



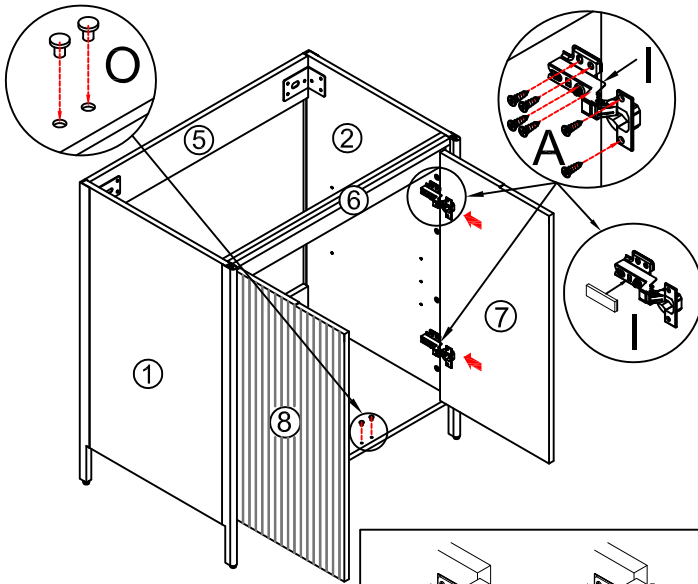
-  x8
- B**
-  x8
- C**
- 
- R**

Step 6



-  x2
- G**
-  x2
- H**
- ($\varnothing 4 \times 14\text{mm}$)
-  x20
- A**
- 
- Tool**

Step 7



($\varnothing 4 \times 14\text{mm}$)



x24

A



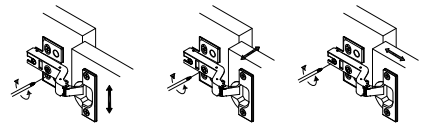
x2

O

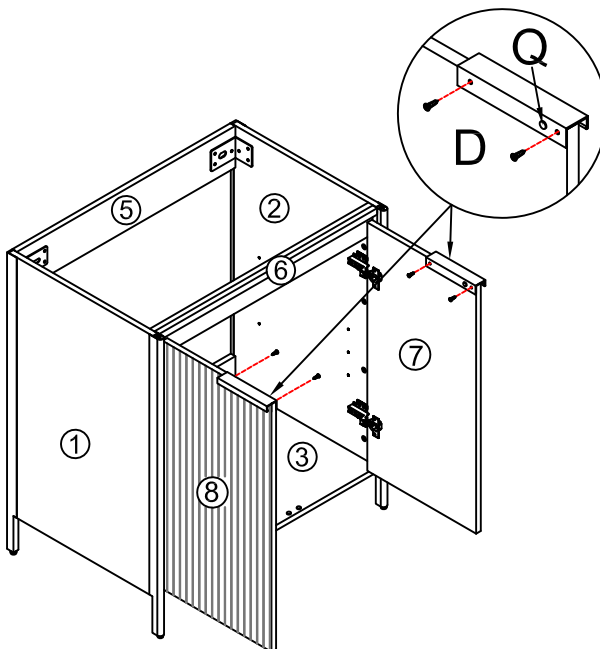


Tool

You can adjust the doors by tightening or loosening the screws on the hinge. →



Step 8



D



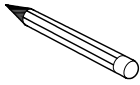
x2

Q

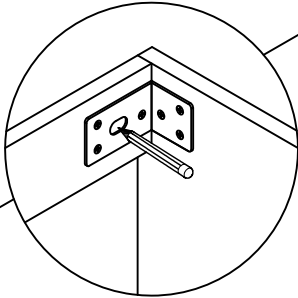
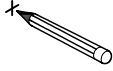


Tool

Step 9



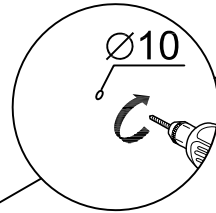
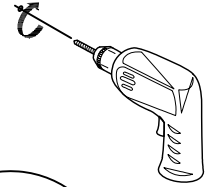
Tool



Step 10



Tool

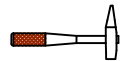


Step 11

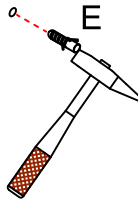


x2

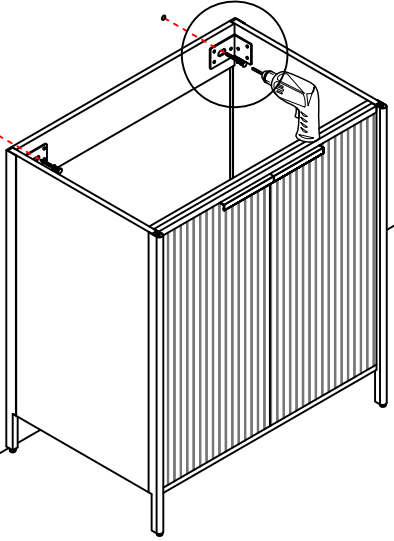
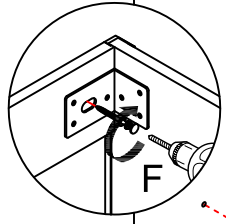
E





Tool

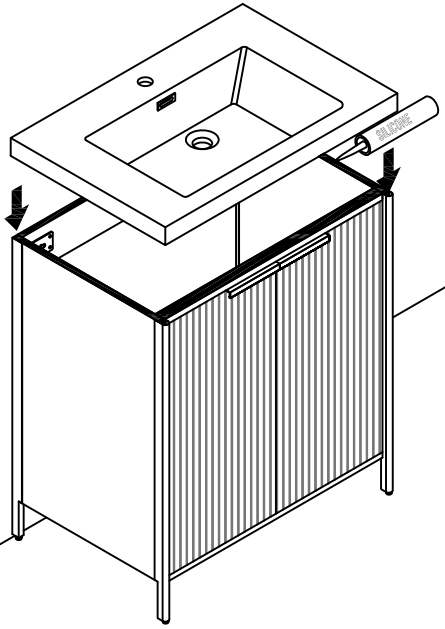


Step 12



- 000  x2
- F
- 
- Tool

Step 13



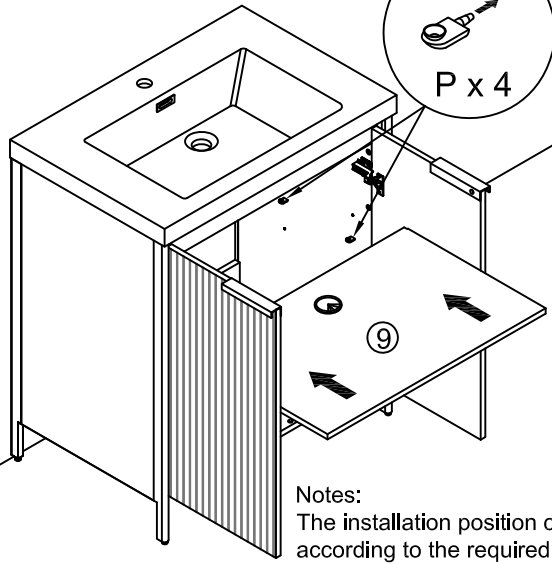
Step 14



x4

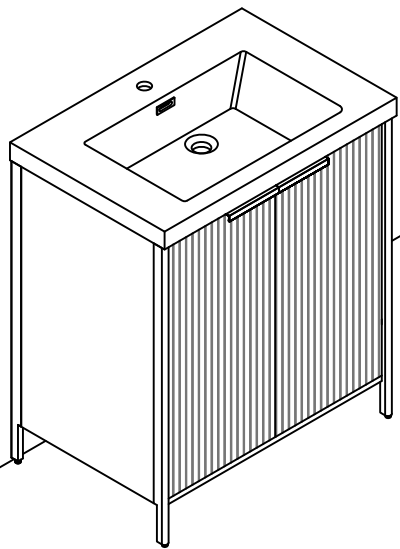
P

P x 4

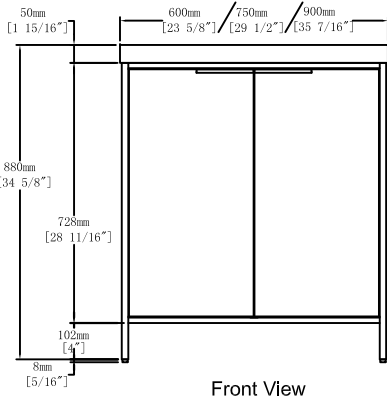
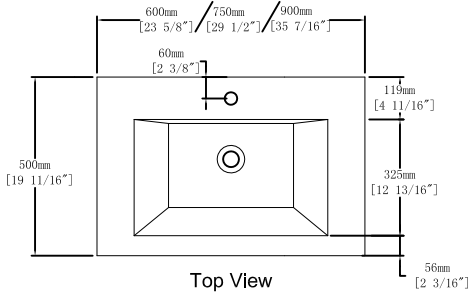


Notes:
The installation position can be selected according to the required height.

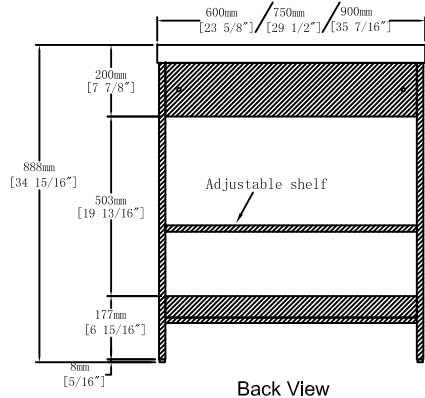
Finished



Dimensions



Front View



Back View

CARE CLEANING AND MAINTENANCE

1. Dust regularly with a soft , dry cloth.
2. Avoid the use of all chemicals household cleaners, abrasives, or cleaners that contain lemon, vinegar, or other acids that may damage the finish.
3. Excessive exposure to sunlight and extreme changes in temperature and moisture can damage wood furniture.
4. The sink is fragile, please pay attention to maintaining its appearance.
5. Do not place hot appliances, such as curling irons and hot hair dryers directly on the countertop. Wipe spills immediately.

THANKS FOR WATCHING

Your feedback is invaluable to us and we would love to hear about your experience. Please take the time to leave us a review.